

IC Recorder Operating Instructions



Refer to the Help Guide

This is the Operating Instructions, which provides you with instructions on the basic operations of the IC recorder. The Help Guide is an online manual. Refer to the Help Guide when you would like to know further details, operations and possible solutions when a problem occurs.

http://rd1.sony.net/help/icd/s20/h_ce/



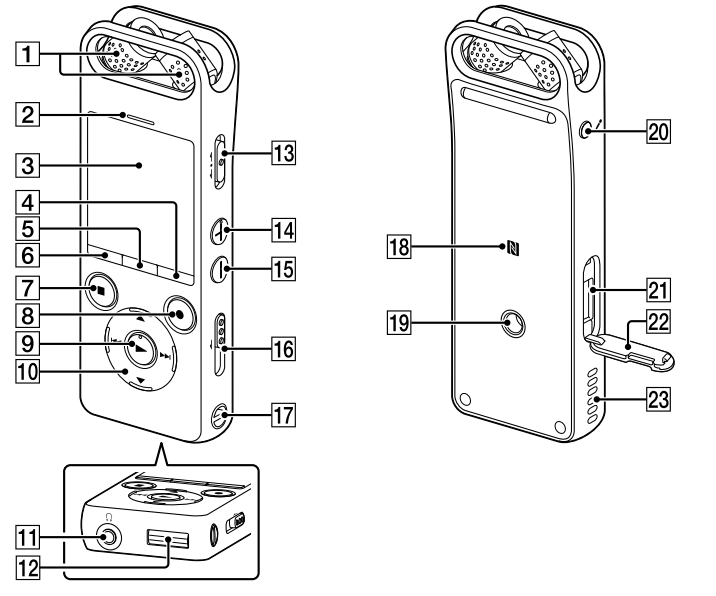
Check the supplied items

- IC Recorder (1)
- Carrying case (1)
- Wind Screen (1)
- USB connection support cable (1)
- Operating Instructions (this sheet)
- Warranty card
- Application Software, Sound Organizer 2 (Installer file stored in the built-in memory so that you can install it to your computer.)

- Electret condenser microphone ECM-CS3, ECM-TL3
- USB AC adaptor AC-UD20

Note
Depending on the country or region, some of the models or optional accessories are not available.

Parts and controls

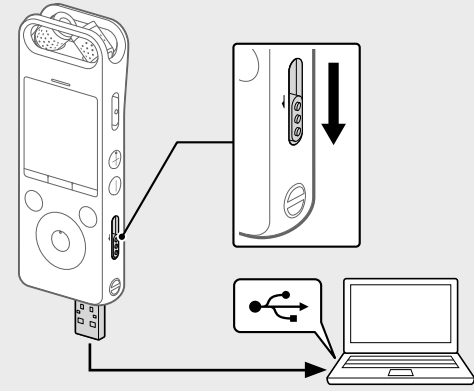


- Built-in microphones
- Peak indicator
- Display window
- OPTION button
- T-MARK (track mark) button
- BACK/HOME button
- STOP button
- REC/PAUSE (record/pause) button, recording indicator
- (play/enter) button*
- Control button (▲ DPC (Digital Pitch Control), ▲ A-B (repeat A-B), ◀ (review/fast backward), ▶ (cue/fast forward))
- (headphones) jack
- USB connector cover (You can find the USB connector retracted behind the cover.)
- POWER+HOLD switch*2
- VOL + (volume +) button*1
- VOL - (volume -) button
- USB slide lever
- Strap hole (No strap is supplied with your IC recorder.)
- (N-mark) (Put an NFC-enabled smartphone onto this mark to establish an NFC pairing.)
- Hole for attaching the tripod (No tripod is supplied with your IC recorder.)
- (microphone) jack
- microSD card slot (The card slot is located under the cover.)
- Slot cover
- Built-in speaker

*1 The (play/enter) button and VOL + (volume +) button have a tactile dot. Use the tactile dot as a reference when operating the IC recorder.
*2 Sliding the POWER+HOLD switch to "POWER" and holding it for 8 seconds or longer restarts your IC recorder. For detailed instructions, refer to the Help Guide.

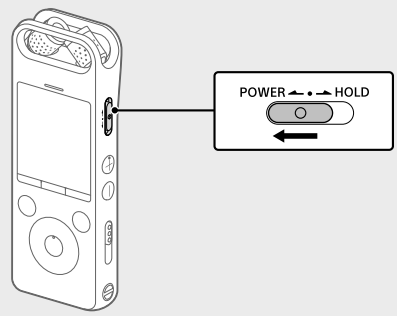
Let's try out your new IC recorder

Charge



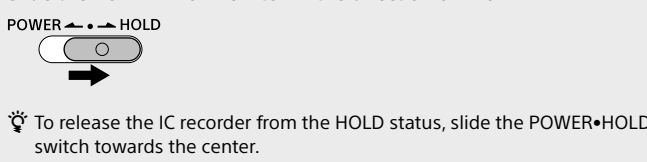
- Charge the IC recorder.**
Slide the USB slide lever in the direction of the arrow, and insert the USB connector into the USB port of a running computer. When the battery is fully charged, the battery indicator will indicate "Full."
- Disconnect the IC recorder.**
Make sure that the message "Accessing" is no longer on the display window. Then refer to the Help Guide to remove the IC recorder safely.

Power on



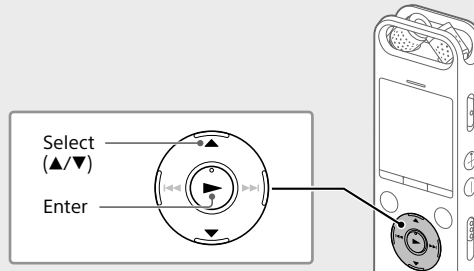
Slide and hold the POWER+HOLD switch in the direction of "POWER" until the window display appears. To turn the power off, slide the POWER+HOLD switch to "POWER" and hold it until "Power Off" appears on the display window.

To prevent unintentional operations (HOLD)
Slide the POWER+HOLD switch in the direction of "HOLD."



To release the IC recorder from the HOLD status, slide the POWER+HOLD switch towards the center.

Initial settings

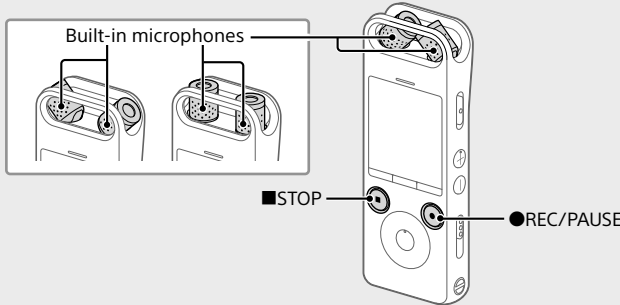


When you turn on your IC recorder for the first time, the "Configure Initial Settings" screen appears on the display window. You can then select the display language, set the clock, and turn on/off the beep sound.

- Select "Yes" to start the initial settings.
- Select the display language.
You can select from the following languages: Deutsch (German), English*, Español (Spanish), Français (French), Italiano (Italian), Русский (Russian), Türkçe (Turkish)
* Default setting
- Set the current year, month, day, hour, and minute.
To go back to the previous clock setting item, press BACK/HOME.
- Select "Next."
- Select "ON" or "OFF" to turn on or off the beep sound.
When the initial settings finish, the completion message and then the HOME menu screen appears.

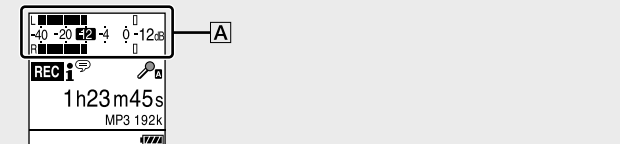
Note
You can change any of the initial settings at any time later. For detailed instructions, refer to the Help Guide.

Record



- Before you start using the IC recorder, make sure that the POWER+HOLD switch is in the center dot position.
- You can select a recording scene for each situation by selecting "Scene Select" in the OPTION menu.

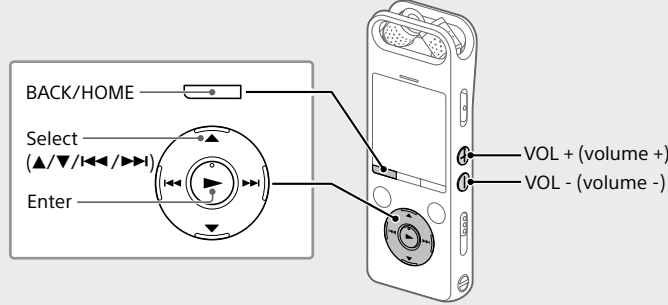
- Adjust the angle of the IC recorder's built-in microphones with your fingertips so that they point in the direction of the recording source.**
- Press REC/PAUSE.**
Recording starts and the recording indicator lights in red.



During recording, the peak level meters appear to help you adjust the recording level (A). Please adjust the orientation of the built-in microphones, the distance from the sound source, or the sensitivity setting of the microphones so that the recording level stays around -12 dB, which fits within the optimum range, as illustrated above.

- Press STOP to stop recording.**
"Please Wait" appears first, and then the record standby screen appears.
After you stopped recording, you can press ▶ to play the file you have just recorded.

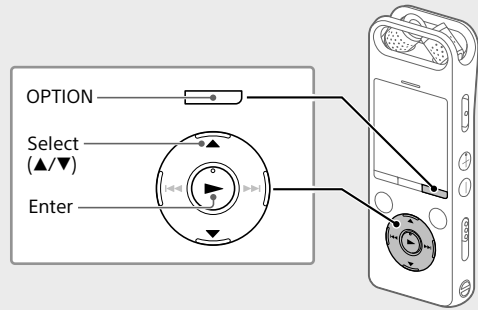
Listen



- Select "Recorded Files" from the HOME menu.
- Select "Latest Recording," "Search by REC Date," "Search by REC Scene," or "Folders."
- Select your desired file. Playback starts.
- Press VOL + or VOL - to adjust the volume.
- Press STOP to stop playback.

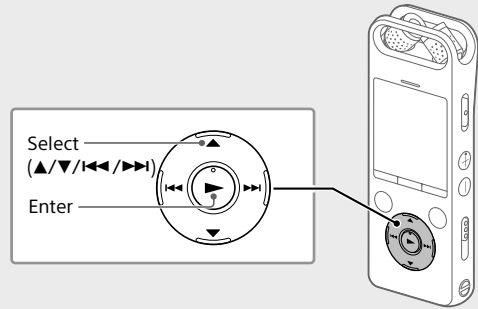
To add a track mark
You can add a track mark at a point at which you want to divide a file later or locate during playback. You can add a maximum of 98 track marks to each file. You can also add track marks during recording.

Delete



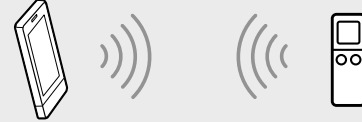
- Note**
Once a file is deleted, you cannot restore it.
- Select the file you want to delete from the list of recorded files or play back the file you want to delete.
 - Select "Delete a File" from the OPTION menu.
"Delete?" appears and the selected file starts playing for your confirmation.
 - Select "Yes."
"Please Wait" appears and stays until the selected file is deleted.

Operations with the smartphone (REC Remote)



With the Bluetooth function of your IC recorder, you can operate your IC recorder (recording, changing the recording settings, etc.) using a smartphone.

To operate your IC recorder using a smartphone
You need to install REC Remote on the smartphone and establish a Bluetooth pairing with your IC recorder.



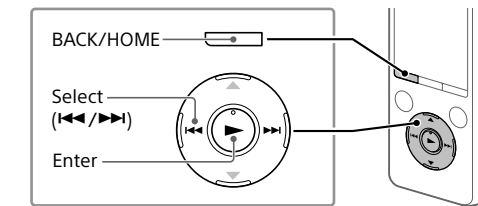
- Search Google Play™ or App Store for REC Remote and install it on the smartphone.
- On the IC recorder, select "REC Remote". "Add Device (Pairing)" from the HOME menu and follow the on-screen instruction to turn on the Bluetooth function.
- On the smartphone, start REC Remote and select "ICD-SX2000" (your IC recorder) from the available device list. For detailed instructions, refer to the help of REC Remote and the manual supplied with the smartphone. Now you can use the smartphone for IC recorder operations.

To turn on or off the Bluetooth function of your IC recorder

- Select "REC Remote" - "Bluetooth ON/OFF" from the HOME menu.
- To turn on the Bluetooth function, select "ON." To turn it off, select "OFF."

Using the HOME menu

You can use the HOME menu for a variety of operations, including locating and playing a recorded file and changing the settings of your IC recorder.



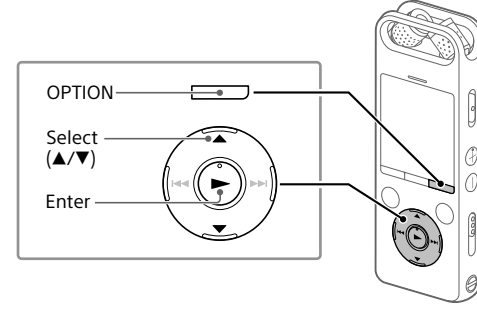
- Press and hold BACK/HOME. The HOME menu screen appears.
- The HOME menu items are aligned in the following sequence.
- Music Recorded Files Record REC Remote Settings Return to XX*
- * The function you are currently using is displayed in "XX."

- Select your desired function from the following:
 - Music**
You can select and play one of the files you have imported from a computer. To locate a music file, select "All Songs," "Albums," "Artists," or "Folders."
 - Recorded Files**
You can select and play one of the files you have recorded with your IC recorder. To locate a recorded file, select "Latest Recording," "Search by REC Date," "Search by REC Scene," or "Folders."
 - Record**
You can display the record standby screen, and then start recording.
 - REC Remote**
You can display the menu screen for REC Remote that uses the Bluetooth function.
 - Settings**
You can display the Settings menu screen and change various settings on the IC recorder.
 - Return to XX***
You can go back to the screen that was displayed before the HOME menu screen.
* The function you are currently using is displayed in "XX."

Press STOP to return to the screen displayed before you entered the HOME menu.

Using the OPTION menu

You can use the OPTION menu to perform a variety of functions, including changing the settings of your IC recorder. The available items differ depending on the situation.



- Select your desired function from the HOME menu, and then press OPTION.
- Select the menu item for which you want to change the setting.
- Select your desired setting option.

Copying files from your IC recorder to a computer

You can copy the files and folders from your IC recorder to a computer to store them.

- Follow the instructions in "Charge" to connect your IC recorder to a computer.
- Drag and drop the files or folders you want to copy from "IC RECORDER" or "MEMORY CARD" to the local disk on the computer.
- Disconnect your IC recorder from the computer.

Installing Sound Organizer 2

Install Sound Organizer on your computer. Sound Organizer allows you to exchange files between your IC recorder and your computer. Songs imported from music CDs and other media, MP3 and other audio files imported to a computer can also be played and transferred to the IC recorder.

- Note**
• Sound Organizer is compatible with Windows computers only. It is not compatible with Mac.
• This IC recorder is compatible with Sound Organizer 2 only.
• If you format the built-in memory, all data stored there will be deleted. (The Sound Organizer software will also be deleted.)

When installing Sound Organizer, log in to an account with administrator privileges.

- Follow the instructions in "Charge" to connect your IC recorder to a computer.
- Make sure the IC recorder is successfully detected by the computer. "Connecting" appears and stays on the IC recorder's display window while the IC recorder is connected to the computer.
- Go to the [Start] menu, click [Computer], and then double-click [IC RECORDER] - [FORMAT WINDOWS].
- Double-click [SoundOrganizer_V2000] (or [SoundOrganizer_V2000.exe]). Follow the computer's on-screen instructions.
- Make sure that you accept the terms of the license agreement, select [I accept the terms in the license agreement], and then click [Next].
- When the [Setup Type] window appears, select [Standard] or [Custom], and then click [Next].
- When the [Ready to Install the Program] window appears, click [Install]. The installation starts.
- When the [Sound Organizer has been installed successfully.] window appears, check [Launch Sound Organizer Now], and then click [Finish].

Note
You may need to restart your computer after installing Sound Organizer.

Precautions

- On power**
Operate the unit only on 3.7 V DC with the built-in rechargeable lithium-ion battery.
 - On safety**
Do not operate the unit while driving, cycling or operating any motorized vehicle.
 - On handling**
 - Do not leave the unit in a location near heat sources, or in a place subject to direct sunlight, excessive dust or mechanical shock.
 - Should any solid object or liquid fall into the unit, have the unit checked by qualified personnel before operating it any further.
 - When using your IC recorder, remember to follow the precautions below in order to avoid warping the cabinet or causing the IC recorder to malfunction.
 - Do not sit down with the IC recorder in your back pocket.
 - Do not put your IC recorder into a bag with the headphones/earphones cord wrapped around it and subject the bag to strong impact.
 - Be careful not to allow water to splash on the unit. The unit is not waterproof. In particular, be careful in the following situations.
 - When you have the unit in your pocket and go to the bathroom, etc.
 - When you bend down, the unit may drop into the water and may get wet.
 - When you use the unit in an environment where the unit is exposed to rain, snow, or humidity.
 - In circumstances where you get sweaty. If you touch the unit with wet hands or if you put the unit in the pocket of sweaty clothes, the unit may get wet.
 - Listening with this unit at high volume may affect your hearing. For traffic safety, do not use this unit while driving or cycling.
 - You may feel pain in your ears if you use the headphones when the ambient air is very dry.
 - This is not because of a malfunction of the headphones, but because of static electricity accumulated in your body. You can reduce static electricity by wearing non-synthetic clothes that prevent the emergence of static electricity.
 - On noise**
 - Noise may be heard when the unit is placed near an AC power source, a fluorescent lamp or a mobile phone during recording or playback.
 - Noise may be recorded when an object, such as your finger, etc., rubs or scratches the unit during recording.
 - On maintenance**
To clean the exterior, use a soft cloth slightly moistened in water. Then use a soft dry cloth to wipe the exterior. Do not use alcohol, benzine or thinner.
- If you have any questions or problems concerning your unit, please consult your nearest Sony dealer.

WARNING

Do not expose the batteries (battery pack or batteries installed) to excessive heat such as sunshine, fire or the like for a long time.

Notice for the customers: the following information is only applicable to equipment sold in the countries applying EU directives
Manufacturer: Sony Corporation, 1-7-1 Konan Minato-ku Tokyo, 108-0075 Japan
For EU product compliance: Sony Belgium, bijkantoor van Sony Europe Limited, Da Vincilaan 7-D1, 1935 Zaventem, Belgium



Hereby, Sony Corp., declares that this equipment is in compliance with the essential requirements and other relevant provisions of Directive 1999/5/EC. For details, please access the following URL: <http://www.compliance.sony.de/>

To prevent possible hearing damage, do not listen at high volume levels for long periods.



Disposal of waste batteries and electrical and electronic equipment (applicable in the European Union and other European countries with separate collection systems)

This symbol on the product, the battery or on the packaging indicates that the product and the battery shall not be treated as household waste. On certain batteries this symbol might be used in combination with a chemical symbol. The chemical symbols for mercury (Hg) or lead (Pb) are added if the battery contains more than 0.0005% mercury or 0.004% lead. By ensuring these products and batteries are disposed of correctly, you will help prevent potentially negative consequences for the environment and human health which could otherwise be caused by inappropriate waste handling. The recycling of the materials will help to conserve natural resources. In case of products that for safety, performance or data integrity reasons require a permanent connection with an incorporated battery, this battery should be replaced by qualified service staff only. To ensure that the battery and the electrical and electronic equipment will be treated properly, hand over these products at end-of-life to the applicable collection point for the recycling of electrical and electronic equipment. For all other batteries, please view the section on how to remove the battery from the product safely. Hand the battery over to the applicable collection point for the recycling of waste batteries. For more detailed information about recycling of this product or battery, please contact your local Civic Office, your household waste disposal service or the shop where you purchased the product or battery.

Specifications

Capacity (User available capacity)1+2**
16 GB (approx. 12.80 GB = 13,743,895,347 Byte)

Maximum recording time (Built-in memory)
The maximum recording time of all the folders is as follows.

Recording Format	Maximum Recording Time
LPCM 96 kHz/24 bit	6 hours 35 minutes
LPCM 44.1 kHz/16 bit	21 hours 35 minutes
MP3 320 kbps	95 hours 25 minutes
MP3 192 kbps*3	159 hours
MP3 128 kbps	238 hours
MP3 48 kbps (MONO)	636 hours

Note
When you are going to record continuously for a long time, you may need a USB AC adaptor (not supplied). For details on the battery life, see Battery Life. The maximum recording time in this topic is for your reference only.

Battery Life (a built-in rechargeable lithium-ion battery) (JEITA)4+5**

	Recording	Playback with the built-in speaker**6	Playback with the headphones
LPCM 96 kHz/24 bit	Approx. 15 hours	Approx. 20 hours	Approx. 24 hours
MP3 192 kbps	Approx. 30 hours	Approx. 24 hours	Approx. 30 hours

Dimensions (w/h/d) (not incl. projecting parts and controls) (JEITA)4**
Approx. 44.0 mm × 120.0 mm × 14.5 mm

Mass (JEITA)4**
Approx. 98 g

Temperature/Humidity

Operating temperature	5°C - 35°C
Operating humidity	25% - 75%
Storage temperature	-10°C - +45°C
Storage humidity	25% - 75%

Compatible memory cards

- microSDHC cards from 4 GB to 32 GB
- microSDXC cards of 64 GB or more

Note
You cannot record LPCM 96 kHz/24 bit audio directly to a microSD/SDHC/SDXC card.

*1 A small amount of the internal memory is used for file management and therefore not available for user storage.
*2 When the built-in memory is formatted with the IC recorder.
*3 Default settings for the recording scenes.
*4 Measured value by the standard of JEITA (Japan Electronics and Information Technology Industries Association)
*5 The battery life may shorten depending on how you operate the IC recorder.
*6 When playing back music with the built-in speaker with the volume level set to 25.

Trademarks

- Microsoft, Windows, Windows Vista and Windows Media are registered trademarks or trademarks of Microsoft Corporation in the United States and/or other countries.
- MPEG Layer-3 audio coding technology and patents licensed from Fraunhofer IIS and Thomson.
- microSD, microSDHC and microSDXC logos are trademarks of SD-3C, LLC.



- Google Play is a trademark of Google Inc.
- The Apple logo, iPhone, iTunes, Mac and OS X are trademarks of Apple Inc., registered in the U.S. and other countries. App Store is a service mark of Apple Inc.
- "Made for iPhone" means that an electronic accessory has been designed to connect specifically to iPhone respectively, and has been certified by the developer to meet Apple performance standards. Apple is not responsible for the operation of this device or its compliance with safety and regulatory standards. Please note that the use of this accessory with iPhone may affect wireless performance.
- Compatible iPhone models: Bluetooth technology works with iPhone 6s Plus, iPhone 6s, iPhone 6 Plus, iPhone 6, iPhone 5s, iPhone 5c, iPhone 5, and iPhone 4s.



All other trademarks and registered trademarks are registered trademarks or registered trademarks of their respective holders. Furthermore, "™" and "®" are not mentioned in each in this manual.

This product is protected by certain intellectual property rights of Microsoft Corporation. Use or distribution of such technology outside of this product is prohibited without a license from Microsoft or an authorized Microsoft subsidiary.

The "Sound Organizer 2" uses software modules as shown below: Windows Media Format Runtime

License

Notes on the License
This IC recorder comes with software that are used based on licensing agreements with the owners of that software. Based on requests by the owners of copyright of these software applications, we have an obligation to inform you of the following. Please read the following sections.
Licenses (in English) are recorded in the internal memory of your IC recorder. Establish a Mass Storage connection between the IC recorder and a computer to read licenses in the "LICENSE" folder.
On GNU GPL/LGPL applied software
The software that is eligible for the following GNU General Public License (hereinafter referred to as "GPL") or GNU Lesser General Public License (hereinafter referred to as "LGPL") are included in the IC recorder. This informs you that you have a right to have access to, modify, and redistribute source code for these software programs under the conditions of the supplied GPL/LGPL.
Source code is provided on the web. Use the following URL to download it. <http://www.sony.net/Products/Linux/>
We would prefer you do not contact us about the contents of source code. Licenses (in English) are recorded in the internal memory of your IC recorder. Establish a Mass Storage connection between the IC recorder and a computer to read licenses in the "LICENSE" folder.

Grabadora IC

Manual de instrucciones

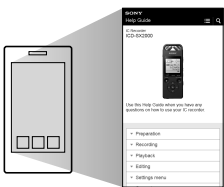


ICD-SX2000

Consulte la Guía de ayuda

Este es el Manual de instrucciones en el cual se ofrecen instrucciones sobre las operaciones básicas de la grabadora IC. La Guía de ayuda es un manual en línea. Consulte la Guía de ayuda cuando quiera conocer más detalles, las operaciones y las posibles soluciones cuando ocurra algún problema.

http://rd1.sony.net/help/icd/s20/h_ce/



Compruebe los componentes suministrados

- Grabadora IC (1)
- Funda de transporte (1)
- Parabrisas (1)
- Cable auxiliar para la conexión USB (1)
- Manual de instrucciones (esta hoja)
- Tarjeta de garantía
- Software de la aplicación, Sound Organizer 2 (Archivo del instalador almacenado en la memoria interna para poder instalarlo en su equipo.)

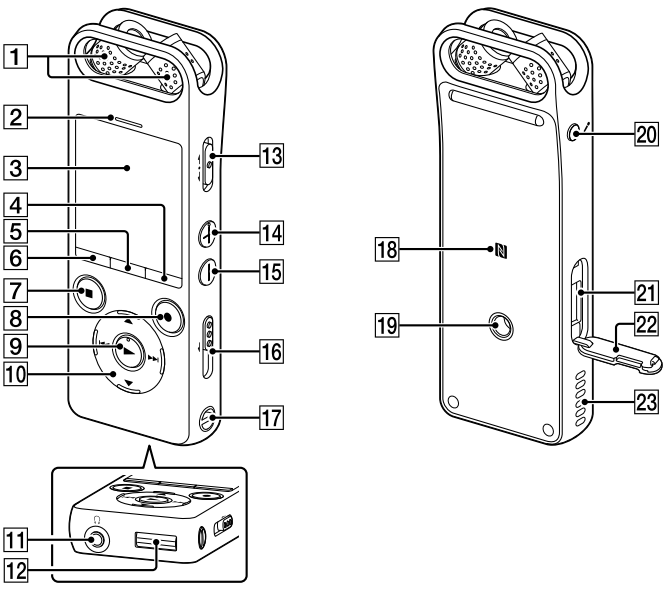
Accesorios opcionales

- Micrófono condensador de electroto ECM-CS3, ECM-TL3
- Adaptador de ca USB AC-UD20

■ Nota

Dependiendo del país o la región, algunos de los modelos o accesorios opcionales pueden no estar disponibles.

Partes y controles



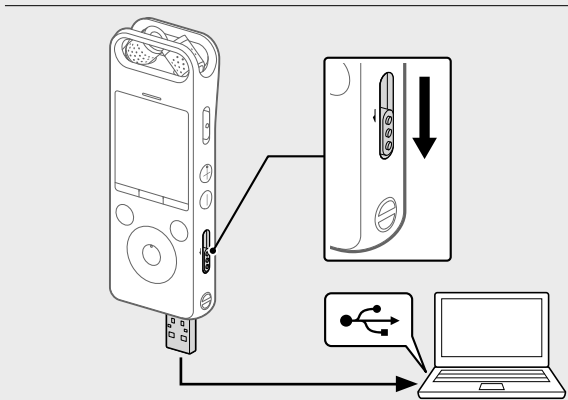
- Micrófonos incorporados
- Indicador de pico
- Visor
- Botón OPTION
- Botón T-MARK (marca de pista)
- Botón BACK/HOME
- Botón ■STOP
- Botón ●REC/PAUSE (grabar/pausar), indicador de grabación
- Botón ► (reproducir/entrar)^{*1}
- Botón de control ▲DPC (Digital Pitch Control), ▼◄ A-B (repetir A-B), ◄◄ (revisar/retroceder rápidamente), ►► (buscar/avanzar rápidamente)
- Toma ? (auriculares)
- Cubierta de conector USB (Puede encontrar el conector USB retraído detrás de la cubierta.)
- Interruptor POWER+HOLD^{*2}
- Botón VOL + (volumen +)^{*1}
- Botón VOL - (volumen -)
- Lengüeta de USB
- Orificio para correa (No se suministra correa con la grabadora IC.)
- (Marca N) (Ponga un teléfono inteligente habilitado con NFC en esta marca para establecer un emparejamiento NFC.)
- Orificio para fijación de trípode (No se suministra trípode con la grabadora IC.)
- Toma ? (micrófono)
- Ranura para tarjeta microSD (La ranura para tarjeta se encuentra debajo de la cubierta.)
- Cubierta de ranura
- Altavoz incorporado

^{*1} El botón ► (reproducir/entrar) y el botón VOL + (volumen +) poseen un punto táctil. Utilice el punto táctil como referencia cuando opere la grabadora IC.

^{*2} Al deslizar el interruptor POWER+HOLD hasta "POWER" y mantenerlo durante 8 segundos o más, se reiniciará la grabadora IC. Con respecto a las instrucciones detalladas, consulte la Guía de ayuda.

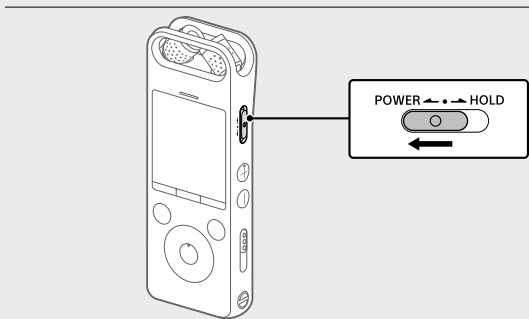
Vamos a probar la nueva grabadora IC

Carga



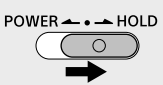
- Cargue la grabadora IC.** Deslice la lengüeta de USB en el sentido de la flecha, e inserte el conector USB en el puerto USB de un equipo que esté encendido. Cuando la batería esté completamente cargada, el indicador de la batería mostrará **Full**.
- Desconecte la grabadora IC.** Asegúrese de que el mensaje de "Accessing" ya no esté en el visor. A continuación, consulte la Guía de ayuda para quitar la grabadora IC de forma segura.

Encendido



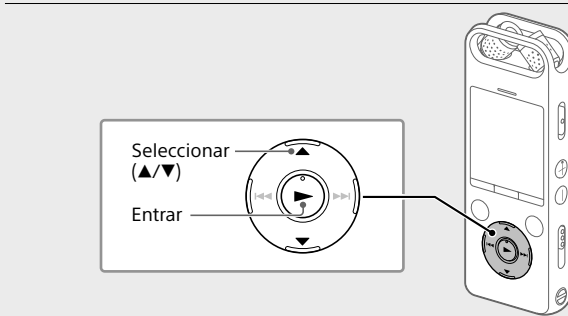
Deslice y no suelte el interruptor POWER+HOLD en el sentido de "POWER" hasta que se muestre el visor. Para apagar, deslice el interruptor POWER+HOLD hasta "POWER" y manténgalo hasta que en el visor aparezca "Power Off".

Para evitar el funcionamiento no intencionado (HOLD) Deslice el interruptor POWER+HOLD en el sentido de "HOLD".



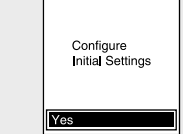
Para desactivar el estado HOLD de la grabadora IC, deslice el interruptor POWER+HOLD hacia el centro.

Ajustes iniciales



Cuando encienda la grabadora IC por primera vez, en el visor aparecerá "Configure Initial Settings". A continuación puede seleccionar el idioma del visor, ajustar el reloj, y activar/desactivar el pitido.

- Seleccione "Yes" para iniciar los ajustes iniciales.**

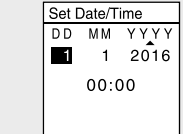


- Seleccione el idioma del visor.**

Puede seleccionar los idiomas siguientes: Deutsch (alemán), English* (inglés), Español, Français (francés), Italiano (italiano), Русский (ruso), Türkçe (turco)

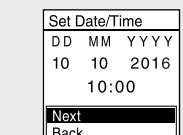
* Ajuste predeterminado

- Ajuste el año, mes, día, hora, y minutos actuales.**

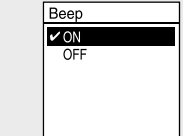


Para volver al elemento de ajuste del reloj anterior, pulse BACK/HOME.

- Seleccione "Next".**



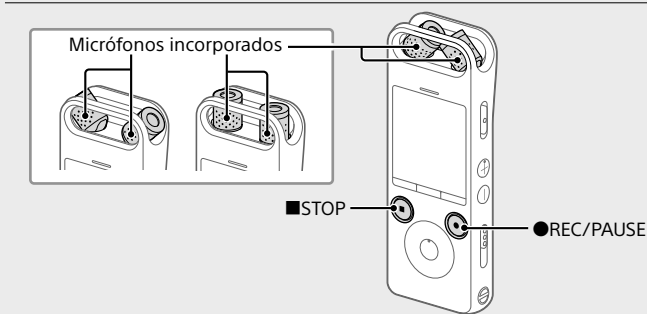
- Seleccione "ON" u "OFF" para activar o desactivar el pitido.** Cuando finalicen los ajustes iniciales, aparecerá el mensaje de terminación y después la pantalla del menú HOME.



■ Nota

Puede cambiar cualquiera de los ajustes iniciales en cualquier momento posterior. Con respecto a las instrucciones detalladas, consulte la Guía de ayuda.

Grabación

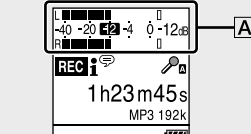


Antes de comenzar a utilizar la grabadora IC, asegúrese de que el interruptor POWER+HOLD esté en la posición del punto central.

- Puede seleccionar una escena de grabación para cada situación seleccionando "Scene Select" en el menú OPTION.

- Ajuste el ángulo de los micrófonos incorporados de la grabadora IC con los dedos para que apunten en la dirección de la fuente de grabación.**

- Pulse ●REC/PAUSE.** La grabación comenzará y el indicador de grabación se iluminará en rojo.

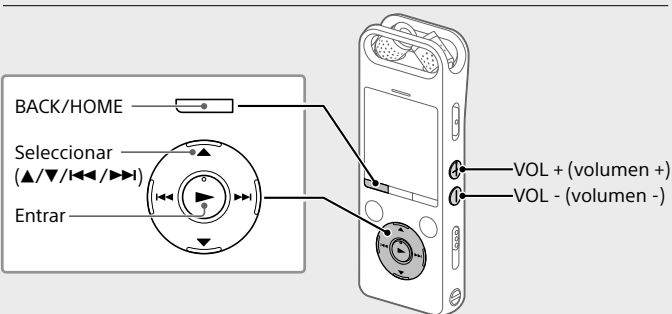


Durante la grabación, aparecerán los medidores de nivel de pico para ayudarle a ajustar el nivel de grabación (■). Ajuste la orientación de los micrófonos incorporados, la distancia hasta la fuente de sonido, o el valor de sensibilidad de los micrófonos para que el nivel de grabación se mantenga alrededor de -12 dB, que a su vez encaja dentro de la gama óptima, como se ilustra arriba.

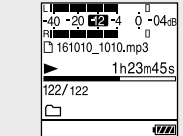
- Pulse ■STOP para detener la grabación.** Primero aparecerá "Please Wait", y después aparecerá la pantalla de espera de grabación.

Después de haber detenido la grabación, podrá pulsar ► para reproducir el archivo recién grabado.

Escucha



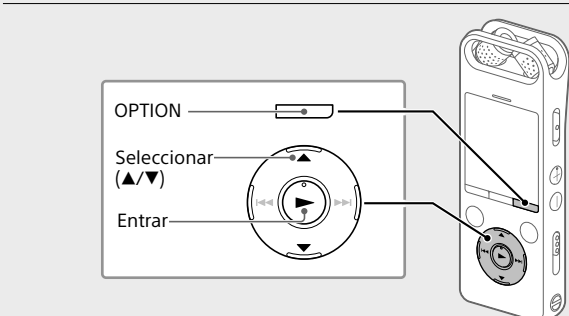
- Seleccione " Recorded Files" en el menú HOME.**
- Seleccione "Latest Recording", "Search by REC Date", "Search by REC Scene", o "Folders".**
- Seleccione el archivo deseado.** Se iniciará la reproducción.



- Pulse VOL + o VOL - para ajustar el volumen.**
- Pulse ■STOP para detener la reproducción.**

Para añadir una marca de pista Puede añadir una marca de pista en un punto en el que desee dividir un archivo más tarde o localizar durante la reproducción. Puede añadir un máximo de 98 marcas de pista a cada archivo. También puede añadir marcas de pista durante la grabación.

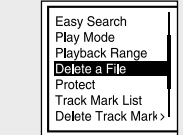
Borrado



■ Nota

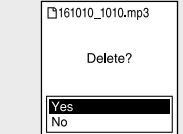
Una vez borrado un archivo, no es posible recuperarlo.

- Seleccione el archivo que desee borrar de la lista de archivos grabados, o reproduzca el archivo que desee borrar.**
- Seleccione "Delete a File" en el menú OPTION.**



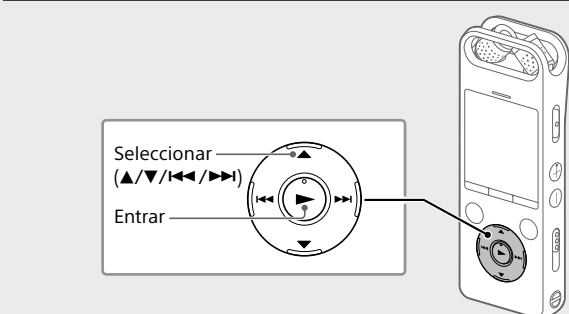
Aparecerá "Delete?" y se iniciará la reproducción del archivo seleccionado para su confirmación.

- Seleccione "Yes".**



Aparecerá "Please Wait" y permanecerá hasta que se borre el archivo seleccionado.

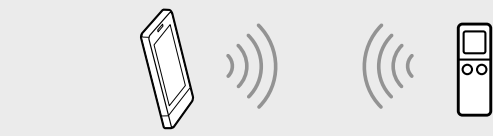
Operaciones con un teléfono inteligente (REC Remote)



Con la función Bluetooth de la grabadora IC, puede operar la grabadora IC (grabación, cambio de los ajustes de grabación, etc.) utilizando un teléfono inteligente.

Para operar la grabadora IC utilizando un teléfono inteligente

Es necesario instalar REC Remote en el teléfono inteligente y establecer un emparejamiento Bluetooth con la grabadora IC.



- Busque REC Remote en Google Play™ o App Store e instálelo en el teléfono inteligente.
- En la grabadora IC, seleccione "REC Remote"- "Add Device (Pairing)" en el menú HOME y siga las instrucciones en pantalla para activar la función Bluetooth.

- En el teléfono inteligente, inicie REC Remote y seleccione "ICD-SX2000" (la grabadora IC) en la lista de dispositivos disponibles.** Con respecto a las instrucciones detalladas, consulte la ayuda de REC Remote y el manual suministrado con el teléfono inteligente.

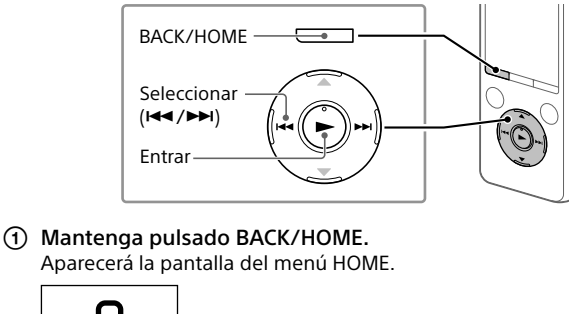
Ahora podrá utilizar el teléfono inteligente para las operaciones de la grabadora IC.

Para activar o desactivar la función Bluetooth de la grabadora IC

- Seleccione "REC Remote" - "Bluetooth ON/OFF" en el menú HOME.**
- Para activar la función Bluetooth, seleccione "ON". Para desactivarla, seleccione "OFF".**

Utilización del menú HOME

Puede utilizar el menú HOME para gran variedad de operaciones, incluyendo localización y reproducción de un archivo grabado y cambio de los ajustes de la grabadora IC.



- Mantenga pulsado BACK/HOME.** Aparecerá la pantalla del menú HOME.



Los elementos del menú HOME aparecerán en la secuencia siguiente.



* La función que esté utilizando en ese momento se mostrará en lugar de "XX".

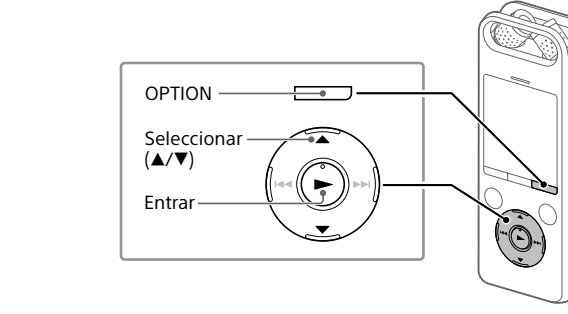
- Seleccione la función deseada entre las siguientes:**

	Music Permite seleccionar y reproducir uno de los archivos importados desde un equipo. Para localizar un archivo de música, seleccione "All Songs", "Albums", "Artists", o "Folders".
	Recorded Files Permite seleccionar y reproducir uno de los archivos grabados con la grabadora IC. Para localizar un archivo grabado, seleccione "Latest Recording", "Search by REC Date", "Search by REC Scene", o "Folders".
	Record Permite visualizar la pantalla de espera de grabación, y después iniciar la grabación.
	REC Remote Permite visualizar la pantalla del menú para REC Remote que utiliza la función Bluetooth.
	Settings Permite visualizar la pantalla del menú Settings y cambiar varios ajustes de la grabadora IC.
	Return to XX* Permite regresar a la pantalla visualizada antes de la pantalla del menú HOME. * La función que esté utilizando en ese momento se mostrará en lugar de "XX".

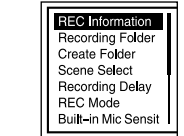
▼ Pulse ■STOP para regresar a la pantalla visualizada antes de haber entrado en el menú HOME.

Utilización del menú OPTION

Puede utilizar el menú OPTION para realizar gran variedad de funciones, incluyendo el cambio de los ajustes de la grabadora IC. Los elementos disponibles varían dependiendo de la situación.



- Seleccione la función deseada en el menú HOME, y después pulse OPTION.**



- Seleccione el elemento del menú cuyo ajuste desee cambiar.**
- Seleccione la opción de ajuste deseada.**

Copia de archivos de la grabadora IC a un equipo

Puede copiar los archivos y carpetas de la grabadora IC a un equipo para almacenarlos.

- Siga las instrucciones de "Carga" para conectar la grabadora IC a un equipo.**
- Arrastre y suelte los archivos o carpetas que desee copiar desde "IC RECORDER" o "MEMORY CARD" al disco local del equipo.**
- Desconecte la grabadora IC del equipo.**

Instalación de Sound Organizer 2

Instale Sound Organizer en el equipo. Sound Organizer le permite intercambiar archivos entre la grabadora IC y el equipo. Las canciones importadas de CD de música y otros medios, los archivos de MP3 y otros archivos de audio importados a un equipo también se pueden reproducir y transferir a la grabadora IC.

■ Notas

- Sound Organizer solo es compatible con equipos de Windows. No es compatible con Mac.
- Esta grabadora IC solo es compatible con Sound Organizer 2.
- Si formatea la memoria interna, todos los datos almacenados se borrarán. (También se borrará el software Sound Organizer.)

▼ Al instalar Sound Organizer, inicie una sesión con una cuenta con privilegios de administrador.

- Siga las instrucciones de "Carga" para conectar la grabadora IC a un equipo.**

- Asegúrese de que el equipo haya detectado con éxito la grabadora IC.** Mientras la grabadora IC esté conectándose al equipo, en el visor de la grabadora IC se mostrará "Connecting".

- Vaya al menú [Inicio], haga clic en [Equipo], y después haga doble clic en [IC RECORDER] - [FOR WINDOWS].**

- Haga doble clic en [SoundOrganizer_V2000] (o [SoundOrganizer_V2000.exe]).** Siga las instrucciones en pantalla del equipo.

- Asegúrese de aceptar los términos del acuerdo de licencia, seleccione [I accept the terms in the license agreement], y después haga clic en [Next].**

- Cuando aparezca la pantalla [Setup Type], seleccione [Standard] o [Custom], y después haga clic en [Next].** Siga las instrucciones en pantalla y, cuando haya seleccionado [Custom], establezca los ajustes de instalación.

- Cuando aparezca la ventana [Ready to Install the Program], haga clic en [Install].** Se iniciará la instalación.

- Cuando aparezca la ventana [Sound Organizer has been installed successfully], marque [Launch Sound Organizer Now], y después haga clic en [Finish].**

■ Nota

Después de instalar Sound Organizer, es posible que necesite reiniciar su equipo.

Precauciones

Alimentación
Utilice la unidad solo con cc de 3,7 V con la pila de iones de litio recargable incorporada.

Seguridad
No utilice la unidad mientras conduce, va en bicicleta o utiliza cualquier vehículo motorizado.

Manejo
• No deje la unidad cerca de fuentes de calor, ni en lugares expuestos a la luz solar directa, polvo excesivo o golpes mecánicos.
• Si se introduce algún objeto sólido o penetra algún líquido en la unidad, haga revisar la unidad por personal cualificado antes de seguir utilizándola.

• Cuando utilice la grabadora IC, tenga presente las siguientes precauciones para no deformar la carcasa o provocar una avería.
• Evite sentarse si la grabadora IC se encuentra en el bolsillo trasero de los pantalones.

• No introduzca la grabadora IC en una bolsa con el cable de los auriculares enrollado alrededor del dispositivo ni someta la bolsa a fuertes impactos.

• Tenga cuidado de que no salpique agua sobre la unidad. La unidad no es impermeable. Sobre todo, tenga cuidado en las situaciones siguientes.

– Cuando tenga la unidad en el bolsillo y vaya al cuarto de baño, etc.

– Al agacharse, la unidad podría caer al agua y mojarse.

– Cuando use la unidad en entornos en los que queda expuesta a lluvia, nieve o humedad.

– En situaciones donde sude bastante. Si toca la unidad con las manos mojadas o si mete la unidad en el bolsillo de unos pantalones húmedos por el sudor, la unidad podría humedecerse.

• Si usa la unidad a un volumen alto, puede sufrir daños en los oídos. Por razones de seguridad vial, no utilice la unidad mientras conduce o va en bicicleta.

• Puede notar que le duelen los oídos si usa los auriculares cuando el aire ambiente está muy seco. Esto no se debe a un funcionamiento incorrecto de los auriculares, sino a la electricidad estática acumulada en el cuerpo humano. Puede reducir la electricidad estática llevando ropa de tejidos no sintéticos que impidan la formación de electricidad estática.

Ruido
• Si se coloca la unidad cerca de una fuente de alimentación de ca una lámpara fluorescente o un teléfono móvil durante la reproducción o la grabación, es posible que oiga ruido.

• Si algún objeto, como su dedo, frota o araña la superficie de la unidad durante la grabación, es posible que se grabe ruido.

Mantenimiento

Para limpiar el exterior, utilice un paño suave ligeramente humedecido con agua. Luego utilice un trapo suave y seco para secar el exterior. No emplee alcohol, bencina ni diluyente.

Si tiene problemas o preguntas acerca de esta unidad, consulte al distribuidor Sony más cercano.

ADVERTENCIA

No exponga las pilas (el cartucho de pilas o las pilas instaladas) a un calor excesivo tal como la luz del sol, fuego o algo similar durante un periodo largo de tiempo.

Aviso para los clientes: la siguiente información solo es pertinente para los equipos vendidos en países que aplican las directivas de la UE.
Fabricante: Sony Corporation, 1-7-1 Konan Minato-ku Tokyo, 108-0075 Japón
Para la conformidad del producto en la UE: Sony Belgium, Bijlanktoor van Sony Europe Limited, Davincilaan 7-D1, 1935 Zaventem, Bélgica



Por medio de la presente Sony Corp. declara que el equipo cumple con los requisitos esenciales y cualesquiera otras disposiciones aplicables o exigibles de la Directiva 1999/5/CE.

Para mayor información, por favor consulte el siguiente URL:
<http://www.compliance.sony.de/>

Para evitar un posible daño del sistema auditivo, no escuche con niveles de volumen altos durante largos periodos de tiempo.



Tratamiento de las baterías y equipos eléctricos y electrónicos al final de su vida útil (aplicable en la Unión Europea y en países europeos con sistemas de tratamiento selectivo de residuos)

Este símbolo en el producto, en la batería o en el embalaje indica que el producto y la batería no pueden ser tratados como un residuo doméstico normal. En algunas baterías este símbolo puede utilizarse en combinación con un símbolo químico. El símbolo químico del mercurio (Hg) o del plomo (Pb) se añadirá si la batería contiene más del 0,0005% de mercurio o del 0,004% de plomo. Al asegurarse de que estos productos y baterías se desechan correctamente, usted ayuda a prevenir las consecuencias potencialmente negativas para el medio ambiente y la salud humana que podrían derivarse de la incorrecta manipulación. El reciclaje de materiales ayuda a conservar los recursos naturales.

En el caso de productos que por razones de seguridad, rendimiento o mantenimiento de datos sea necesaria una conexión permanente con la batería incorporada, esta batería solo deberá ser reemplazada por personal técnico cualificado para ello. Para asegurarse de que la batería será tratada correctamente, entregue estos productos al final de su vida útil en un punto de recogida para el reciclado de aparatos eléctricos y electrónicos. Para las demás baterías, consulte la sección donde se indica cómo extraer la batería del producto de forma segura. Deposite la batería en el correspondiente punto de recogida para el reciclado de baterías. Para recibir información detallada sobre el reciclaje de este producto o de la batería, póngase en contacto con el ayuntamiento, el punto de recogida más cercano o el establecimiento donde ha adquirido el producto o la batería.

Especificaciones

Capacidad (Capacidad disponible del usuario^{*1*})

16 GB (aprox. 12,80 GB = 13 743 895 347 bytes)

Tiempo máximo de grabación (Memoria incorporada)

El tiempo máximo de grabación de todas las carpetas es el siguiente.

LPCM 96 kHz/24 bit	6 horas 35 minutos
LPCM 44.1 kHz/16 bit	21 horas 35 minutos
MP3 320 kbps	95 horas 25 minutos
MP3 192 kbps ^{*3}	159 horas
MP3 128 kbps	238 horas
MP3 48 kbps (MONO)	636 horas

■ Nota

Cuando vaya a grabar continuamente durante mucho tiempo, es posible que necesite un adaptador de ca USB (no suministrado). Con respecto a los detalles sobre la duración de la batería, consulte Duración de la batería. El tiempo máximo de grabación en este tema es solamente para su referencia.

Duración de la batería (batería de iones de litio incorporada) (JEITA)^{*4*}

	Grabación	Reproducción con el altavoz incorporado ^{*4}	Reproducción con los auriculares
LPCM 96 kHz/24 bit	Aprox. 15 horas	Aprox. 20 horas	Aprox. 24 horas
MP3 192 kbps	Aprox. 30 horas	Aprox. 24 horas	Aprox. 30 horas

Dimensiones (ancho/alto/largo) (sin incluir proyecciones ni controles) (JEITA)^{*4}
Aprox. 44,0 mm x 120,0 mm x 14,5 mm

Peso (JEITA)^{*4}

Aprox. 98 g

Temperatura/Humedad

Temperatura de funcionamiento	5°C - 35°C
Humedad de funcionamiento	25% - 75%
Temperatura de almacenamiento	-10°C - +45°C
Humedad de almacenamiento	25% - 75%

Tarjetas de memoria compatibles

- Tarjetas microSDHC de 4 GB a 32 GB
- Tarjetas microSDXC de 64 GB o más

■ Nota

No es posible grabar audio LPCM 96 kHz/24 bit en una tarjeta microSD/SDHC/SDXC.

^{*1} Una pequeña cantidad de la memoria interna se utiliza para la gestión de los archivos y, por lo tanto, no está disponible para el almacenamiento.

^{*2} Cuando la memoria interna se formatea con la grabadora IC.

^{*3} Ajustes predeterminados para la grabación de escenas.

^{*4} Valor medio obtenido según el estándar de JEITA (Japan Electronics and Information Technology Industries Association).

^{*5} La duración de la batería puede acortarse dependiendo de cómo se utilice la grabadora IC.

^{*6} Cuando se reproduce música a