

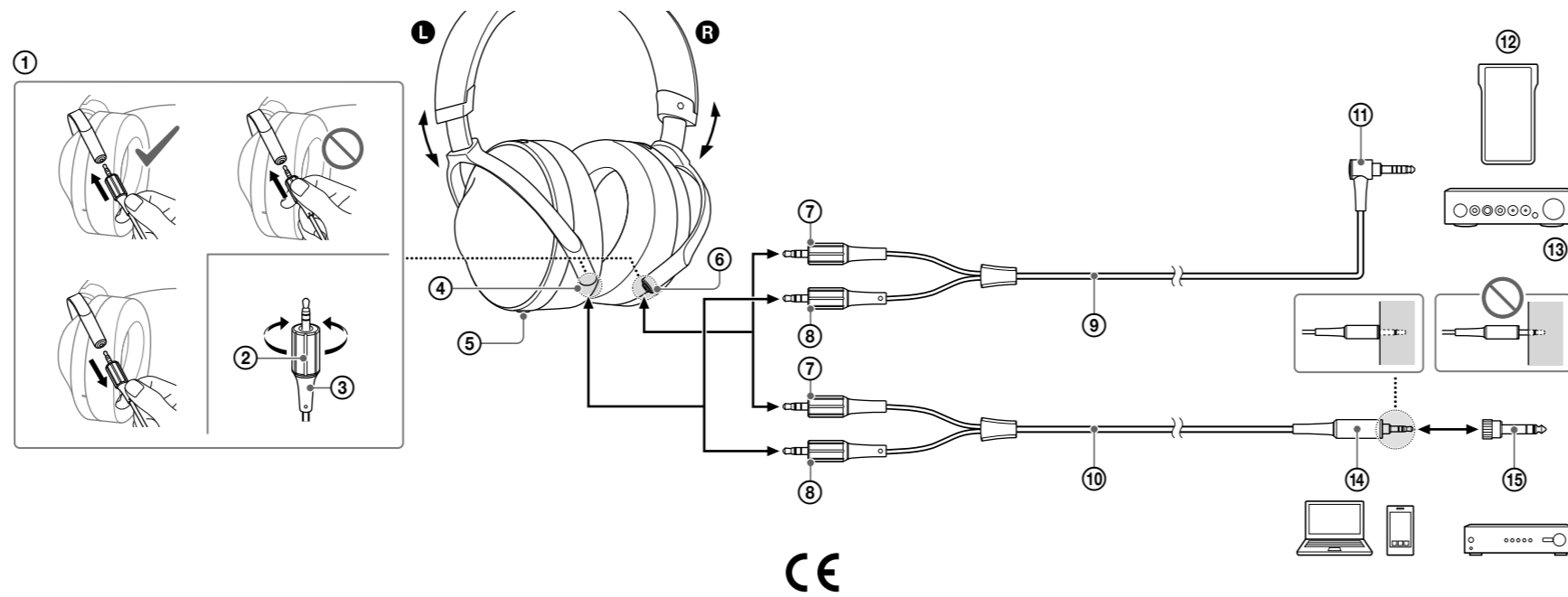
SONY

Operating Instructions

Stereo Headphones MDR-Z1R

How to Use

- ① Grab the rubber part of the plug, insert the plug firmly until it clicks, then fasten the rotating part.
- ② Rotating part
- ③ Plug
- ④ L jack (silver)
- ⑤ Tactile dot
- ⑥ R jack (red)
- ⑦ Red
- ⑧ Silver
- ⑨ Balanced-connection headphone cable (1.2 m)
- ⑩ Headphone cable (3 m)
- ⑪ L-type balanced standard plug
 - You can connect devices that are compatible with the balanced standard plug, such as Walkmans, headphone amplifiers, etc.
- ⑫ Walkman NW-WM1Z (sold separately), NW-WM1A (sold separately)
- ⑬ Headphone amplifier TA-ZH1ES (sold separately)
- ⑭ Stereo mini plug
- ⑮ Unimatch plug adaptor
- ⑯ Headphones
- ⑰ Hard case
- ⑱ Open
- ⑲ Close
- ⑳ Headphone cable × 2



CE

©2016 Sony Corporation
Printed in Japan

4-593-590-13(1)



* 4 5 9 3 5 9 0 1 3 * (1)

English Stereo headphones

Specifications

Type: Closed, dynamic (circum-aural) / **Driver unit:** 70 mm, dome type (CCA Voice Coil) / **Power handling capacity:** 2,500 mW (IEC*) / **Impedance:** 64 Ω at 1 kHz / **Sensitivity:** 100 dB/mW / **Frequency response:** 4 Hz - 120,000 Hz / **Mass:** Approx. 385 g (14 oz) without cable / **Included items:** Stereo headphones (1), Headphone cable (Approx. 3 m (118 1/8 in), silver-coated OFC strands, gold-plated stereo mini plug) (1), Balanced-connection headphone cable (Approx. 1.2 m (47 1/4 in), silver-coated OFC strands, Gold plated balanced standard plug) (1), Gold-plated unimatch plug adaptor (stereo phone plug ↔ stereo mini jack) (1), Hard case (1)

* IEC = International Electrotechnical Commission

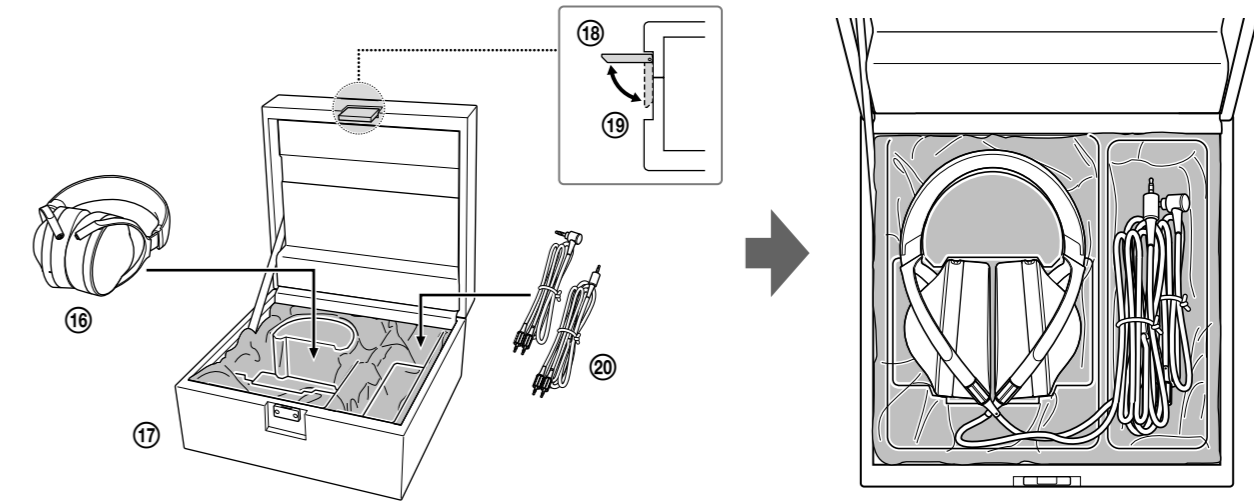
Design and specifications are subject to change without notice.

Precautions



High volume may affect your hearing. For traffic safety, do not use while driving or cycling.

- The supplied unimatch plug adaptor is only for the headphone cable; the balanced-connection headphone cable cannot be used.
- To disconnect the headphone cable, pull it out by pulling plug, not the cord. Otherwise the cord may break.
- When connecting the headphone cable, make sure to fully insert the plug. If the plug is not fully inserted, the sound may not be output.
- When closing the hard case, be careful that your hands or cables are not caught in it.
- Press the catch of the hard case firmly until it clicks.
- Do not place a heavy object or sit on the hard case.
- Be sure to store the headphones with the jack facing upwards.
- Store the headphones by positioning both earpads against each other.
- You can store the headphones while attaching a cable to it.
- Natural leather is used for the headband and earpads. Unlike artificial leather, natural leather may have scars, creases, or lines resembling the veins of a leaf from plants on its surface. Also, the texture and color shade may differ for each product.
- As leather is a soft material, it may be pockmarked when the headphones is stored wrapped around cables.
- To clean the headband and earpads, occasionally wipe them with a dry soft cloth. If it is still dirty, wipe and tap softly with a soft cloth moistened with hot water until it is cleaned. Do not use any detergent solution or maintenance agent for leather, otherwise the leather may be damaged by discoloration, deformation and degradation.
- When rain or sweat is attached, wipe the headphones with a soft dry cloth. If you leave it alone without any treatment, color deterioration or color migration may occur.
- Because the headphones are of a high density enclosure, forcing them against your ears may result in eardrum damage. Avoid using the headphones where they are liable to be struck by people or other objects, such as a ball, etc. Pressing the headphones against your ears may produce a diaphragm click sound. This is not a malfunction.



Only the supplied headphone cables and headphone cables for MDR-Z1R (sold separately) can be used with these headphones.

The validity of the CE marking is restricted to only those countries where it is legally enforced, mainly in the countries EEA (European Economic Area).

Optional replacement earpads can be ordered from your nearest authorized Sony retailer or www.sony.com.