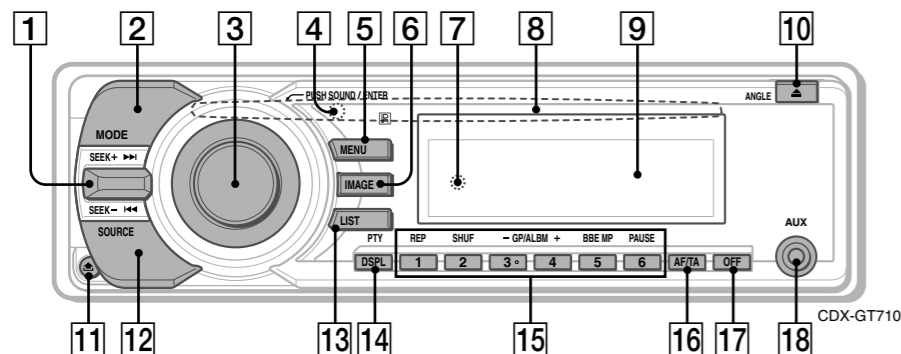
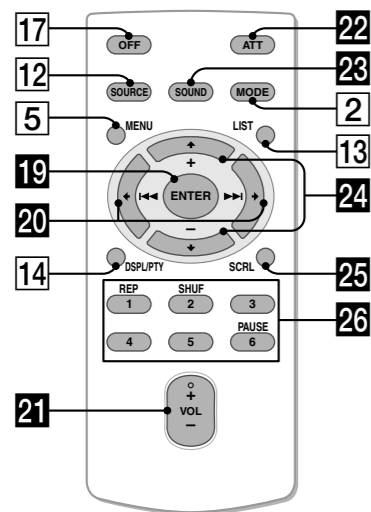


Location of controls and basic operations

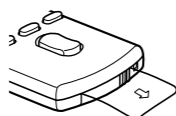
Main unit



Card remote commander RM-X154



Before using the card remote commander for the first time, remove the insulation film.



- 1 SEEK +/- control**
CD/MD*1:
To skip tracks (press up/down); skip tracks continuously (press up/down, then press up/down again within about 1 second and hold); reverse/fast-forward a track (press up/down and hold).
Radio:
To tune in stations automatically (press up/down); find a station manually (press up/down and hold).
- 2 MODE button**
To select the radio band (FM/MW/LW); select the unit*2.
- 3 Volume control dial**
To adjust volume.

SOUND button

To enter sound setting.

ENTER button

To apply a menu setting.

4 Receptor for the card remote commander

5 MENU button

To enter menu.

6 IMAGE button

To select the display image.

Movie mode 1-3 → Spectrum analyzer mode 1-5 → wall paper mode 1-3 → normal play/reception mode

7 RESET button (Location behind the front panel)

Notes

- Before operating the unit for the first time, or after replacing the car battery or changing the connections, you must reset the unit.
- Pressing the RESET button will erase the clock setting and some stored contents.

8 Disc slot

Insert the disc (label side up), and playback starts automatically. You can play CD-DA (also containing CD TEXT), CD-R/CD-RW (MP3/WMA/AAC files also containing Multi Session) and ATRAC CD (ATRAC3 and ATRAC3plus format).

9 Display window

10 ▲ (eject)/ANGLE button

To eject the disc/slide down the front panel (press); angle the front in 3 position (press and hold).

11 ⏏ (front panel release) button

12 SOURCE button

To power on; change the source (Radio/CD/MD*1/AUX).

13 LIST button

To list up.

14 DSPL (Display)/PTY (Program Type) button

To change display items/select PTY in RDS. After pressing (PTY), press (SEEK) to search for a station.

15 Number buttons

CD/MD*1:

- ①: REP
- ②: SHUF

③/④: GP*3/ALBM*4 -/+

To skip groups/albums (press); skip groups/albums continuously (press and hold)*5.

⑤: BBE MP*6

To activate the BBE MP function, set "BBE MP on." To cancel, set "BBE MP off."

⑥: PAUSE*6

To pause playback. To cancel, press again.

Radio:

To receive stored stations (press); store stations (press and hold).

16 AF/TA button

AF (Alternative Frequencies)/TA (Traffic Announcement), TP (Traffic Programme): Each time you press (AF/TA), the item changes as follows:

AF-ON → TA-ON → AF, TA-ON → AF, TA-OFF

17 OFF button

To power off; stop the source.

18 AUX input jack

To connect a portable audio device.

The following buttons on the card remote commander have also different buttons/functions from the unit.

19 ENTER buttons

To complete a setting.

20 ←/→ (SEEK -/+) buttons

CD/MD*1:

To skip tracks (press); skip tracks continuously (press, then press again within about 1 second and hold); fast-forward/reverse a track (press and hold).

Radio:

To tune in stations automatically (press); find a station manually (press and hold).

21 VOL (volume) +/- button

To adjust volume.

22 ATT (attenuate) button

To attenuate the sound. To cancel, press again.

23 SOUND button

To enter sound setting.

24 ↑ (+)/↓ (-) buttons

To select preset stations/skip groups (press); skip groups continuously (press and hold).

25 SCRL (scroll) button

To scroll the display item.

26 Number buttons

CD/MD*1:

- ①: REP
- ②: SHUF

⑥: PAUSE*6

To pause playback. To cancel, press again.

Radio:

To receive stored stations (press); store stations (press and hold).

*1 When an MD changer is connected.

*2 When a CD/MD changer is connected.

*3 When an ATRAC CD is played.

*4 When an MP3/WMA/AAC is played.

*5 If the changer is connected, the operation is different.

*6 When playing back on this unit.

Note

If the unit is turned off and the display disappears, it cannot be operated with the card remote commander unless (SOURCE) on the unit is pressed, or a disc is inserted to activate the unit first.

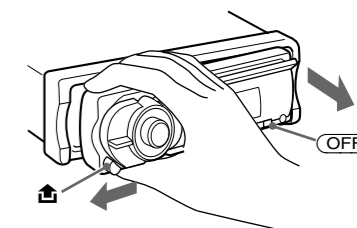
Warning if your car's ignition has no ACC position

Be sure to set the Auto Off function. The unit will shut off completely and automatically in the set time after the unit is turned off, which prevents battery drain. If you do not set the Auto Off function, press and hold (OFF) until the display disappears each time you turn the ignition off.

Detaching the front panel

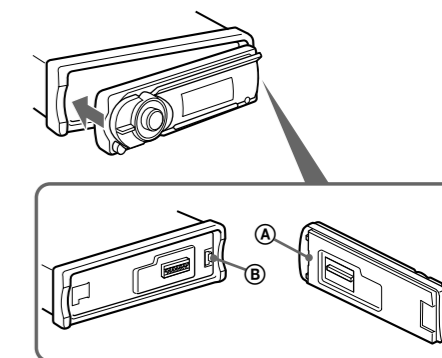
You can detach the front panel of this unit to prevent theft.

- 1 Press (OFF).**
The unit is turned off.
- 2 Press ⏏.**
The left side of front panel is released.
- 3 Slide the front panel to the left, then gently pull out the front panel towards you.**



Attaching the front panel

Place the hole (A) of the front panel onto the spindle (B) on the unit, then lightly push the left side in. Press (SOURCE) on the unit (or insert a disc) to operate the unit.



SET UP

Setting the clock

The clock uses a 24-hour digital indication.

- 1 Press **MENU**.
- 2 Rotate the volume control dial until “Clock Adjust” appears, then press **ENTER**.
The clock adjustment display appears.
- 3 Rotate the volume control dial to set the hour and minute.
To move the digital indication, press **SEEK** +/-.
- 4 After setting the minute, press **ENTER**.
The clock starts.

Tip
You can set the clock automatically with the RDS feature. For details, see “Adjusting setup items” on this sheet, and set to “CT on” (Clock Time).

RADIO

Storing stations automatically

— BTM

The unit selects strong signal stations and stores them. You can store up to 6 stations per band (FM1, FM2, FM3, MW, or LW).

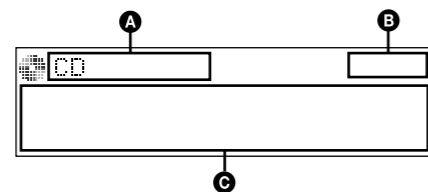
Caution

When tuning in stations while driving, use Best Tuning Memory (BTM) to prevent an accident.

- 1 Press **SOURCE** repeatedly until “TUNER” appears.
To change the band, press **MODE** repeatedly. You can select from FM1, FM2, FM3, MW or LW.
- 2 Press **MENU**.
- 3 Rotate the volume control dial until “BTM” appears, then press **ENTER**.
The unit stores stations in order of frequency on the number buttons.
A beep sounds when the setting is stored.

CD

Display items for CD



- A** Source (CD/ATRAC/WMA/MP3/AAC) indication
- B** Clock
- C** Track/album/group number, disc/artist/album/group/track name, Elapsed playing time, information

* Album/group number is displayed only when the album/group is changed.

To change display items **C**, press **DSPL**; scroll display items **C**, press **SCRL** on the card remote commander or set “Auto Scroll on.”

CD

Repeat and shuffle play

- 1 During playback, press **1 (REP)** or **2 (SHUF)** repeatedly until the desired setting appears.

Select	To play
Repeat Track	track repeatedly.
Repeat Album*1	album repeatedly.
Repeat Group*2	group repeatedly.
Shuffle Album*1	album in random order.
Shuffle Group*2	group in random order.
Shuffle Disc	disc in random order.

*1 When an MP3/WMA/AAC is played.

*2 When an ATRAC CD is played.

To return to normal play mode, select “Repeat off” or “Shuffle off.”

SET UP RADIO CD

Adjusting the sound characteristics

- 1 Press **SOUND**.
- 2 Rotate the volume control dial until the desired menu item appears, then press **ENTER**.
- 3 Rotate the volume control dial to select the setting, then press **ENTER**.
The setting is complete.
After 3 seconds, the setting is complete and the display returns to normal play/reception mode.

The following items can be set:
“●” indicates the default settings.



EQ3 parametric

To select an equalizer type: “Xplod,” “Vocal,” “Edge,” “Cruise,” “Space,” “Gravity,” “Custom” or “off” (●).

DSO

To select the DSO mode: “1,” “2,” “3” or “off” (●). The larger the number, the more enhanced the effect.

Balance

To adjust the balance between the right and left speakers: “R10” – “0” (●) – “L10”

Fader

To adjust the balance between the front and rear speakers: “F10” – “0” (●) – “R10”

Subwoofer

To adjust the subwoofer volume: “+10” – “0” (●) – “-10”
(“- ∞” is displayed at the lowest setting.)

LPF (Low Pass Filter)

To select the subwoofer cut-off frequency: “off” (●), “125Hz” or “78Hz.”

AUX Level*

To adjust the volume level for each connected auxiliary equipment. This setting negates the need to adjust the volume level between sources. Adjustable level: “+18 dB” – “0 dB” (●) – “-8 dB”

* When AUX source is activated.

SET UP RADIO CD

Adjusting setup items — MENU

- 1 Press **MENU**.
- 2 Rotate the volume control dial until the desired menu item appears, then press **ENTER**.
- 3 Rotate the volume control dial to select the setting, then press **ENTER**.
The setting is complete.
- 4 Press **MENU**.
The display returns to normal play/reception mode.

Note

Displayed items will differ, depending on the source and setting.

The following items can be set:
“●” indicates the default settings.

Setup

Clock Adjust

To set the clock.

CT (Clock Time)

To set “on” or “off” (●).

Beep

To set “on” (●) or “off.”

RM (Rotary Commander)

To change the operative direction of the rotary commander controls.

- “NORM” (●): to use the rotary commander in the factory-set position.
- “REV”: When you mount the rotary commander on the right side of the steering column.

Auto Off

To shut off automatically after a desired time when the unit is turned off: “NO” (●), “30 Sec,” “30 min” or “60 min.”

Display

Auto Image

To set various display images.

- “All”: to step repeatedly through the display images in all display modes.
- “Movie” (●): to display a movie.
- “SA”: to display the Spectrum analyzer.
- “off”: to not display any image.

Info (Information)

To display the items (depending on the source, etc.).

- “Simple” (●): to not display any items.
- “All”: to display all items.
- “Clear”: to have items automatically disappear.

Demo*1 (Demonstration)

To set “on” (●) or “off.”

Dimmer

To change the brightness of the display.

- “Auto” (●): to dim the display automatically when you turn lights on.
- “on”: to dim the display.
- “off”: to deactivate the dimmer.

Illumination

To change the illumination color: “Blue” (●) or “Red.”

Auto Scroll

To scroll long displayed item automatically when the disc/album/group/track is changed.

- “on” (●): to scroll.
- “off”: to not scroll.

Receive Mode

Local (Local Seek Mode)

- “off” (●): to tune normal reception.
- “on”: to only tune into stations with stronger signals.

Mono*2 (Monaural Mode)

To improve poor FM reception, select monaural reception mode.

- “off” (●): to hear stereo broadcast in stereo.
- “on”: to hear stereo broadcast in monaural.

Regional*2

To set “on” (●) or “off.”

BTM

To store radio stations automatically.

*1 When the unit is turned off.

*2 When FM is received.