

USB Floppy Disk Drive

Operating Instructions _____ **GB**

使用说明书 _____ **CS**

MPF88E/MPF82E

Owner's Record

The model and serial number are located on the bottom of the drive unit. Record the serial number in the space provided below. Refer to these numbers whenever you call upon your Sony dealer regarding this product.

Model No. _____ MPF88E/MPF82E

Serial No. _____

WARNING

To prevent fire or shock hazard, do not expose the unit to rain or moisture.

To avoid electrical shock, do not open the cabinet. Refer servicing to qualified personnel only.

Caution

This equipment has been tested and found to comply with the limits for a Class B digital device, pursuant to Part 15 of the FCC Rules. These limits are designed to provide reasonable protection against harmful interference in a residential installation. This equipment generates, uses, and can radiate radio frequency energy and, if not installed and used in accordance with the instructions, may cause harmful interference to radio communications. However, there is no guarantee that interference will not occur in a particular installation. If this equipment does cause harmful interference to radio or television reception, which can be determined by turning the equipment off and on, the user is encouraged to try to correct the interference by one or more of the following measures:

- Reorient or relocate the receiving antenna.

- Increase the separation between the equipment and receiver.
- Connect the equipment into an outlet on a circuit different from that to which the receiver is connected.
- Consult the dealer or an experienced radio/TV technician for help.

You are cautioned that any changes or modifications not expressly approved in this manual could void your authority to operate this equipment.

Note:

If you have any questions about this product, you may call the telephone number listed on the "Technical Support" page. The telephone number below is not for customer service but only for official purpose.

Declaration of Conformity

Trade Name: SONY
Model No.: MPF88E/MPF82E
Responsible Party: Sony Electronics Inc.
Address: 680 Kinderkamack
Road, Oradell, NJ
07649 USA
Telephone No.: 201-930-6972

This device complies with Part 15 of the FCC Rules. Operation is subject to the following two conditions: (1) This device may not cause harmful interference, and (2) this device must accept any interference received, including interference that may cause undesired operation.

이 기기는 가정용으로 전자파 적합등록을 한 기기로서 주거지역에서는 물론 모든 지역에서 사용할 수 있습니다.

NOTICE TO USERS

Device drivers ©2002 Sony Corporation.
Documentation ©2002 Sony Corporation.
All rights reserved. This manual or device drivers described herein, in whole or in part, may not be reproduced, translated to any machine-readable form without prior written approval from Sony Corporation.

IN NO EVENT SHALL SONY CORPORATION BE LIABLE FOR ANY INCIDENTAL, CONSEQUENTIAL OR SPECIAL DAMAGES, WHETHER BASED ON TORT, CONTRACT, OR OTHERWISE, ARISING OUT OF OR IN CONNECTION WITH THIS MANUAL, THE DEVICE DRIVERS OR OTHER INFORMATION CONTAINED HEREIN OR THE USE THEREOF.

Sony Corporation reserves the right to make any modification to this manual or the information contained herein at any time without notice.

SONY CORPORATION IS NOT RESPONSIBLE FOR ANY DAMAGE TO OR LOSS OF ANY PROGRAMS, DATA, OR OTHER INFORMATION STORED ON ANY MEDIA.

Trademarks

- Microsoft and Windows are registered trademarks of Microsoft Corporation in the United States and/or other countries.
- Macintosh, Mac, PowerBook, Power Macintosh, iMac, iBook, and Mac OS are registered trademarks or trademarks of Apple Computer, Inc.
- Other system names, product names, and company names appearing in this manual are trademarks or registered trademarks of their respective holders, even though not indicated by the ® or TM marks.

Before you use the drive for the first time, you must install the device driver on your computer.

Before connecting the drive, see page 7 for details about the device driver installation procedure. Also see the end user license agreement on page 15.

Table of Contents

Overview	4
Overview	4
Package Contents	4
System Requirements	4
Supported Floppy Disks	4
Parts and Functions	5
Using the USB Floppy Disk Drive	5

Installation

Installing the Windows XP & Windows Vista Device Driver	7
Installing the Windows Me Device Driver	7
Installing the Windows 2000 Device Driver	8
Installing the Windows 98 Device Driver	10
Installing the Mac OS 9.x/Mac OS X Device Driver	12
Installing the Mac OS 8.6 Device Driver	12

Appendix

Specifications	13
----------------------	----

Technical Support

End User License

Agreement	15
------------------------	-----------

Overview

The USB Floppy Disk Drive is a portable floppy disk drive compatible with Windows and Macintosh systems, connected and powered through a USB interface.

Package Contents

The USB Floppy Disk Drive package contains the following:

- MPF88E/MPF82E USB Floppy Disk Drive
- Operating Instructions (this guide)
- USB Floppy Disk Drive Device Driver CD-ROM

System Requirements

The USB Floppy Disk Drive requires the following minimum system configuration:

- PC/AT compatible personal computer
 - Preinstalled Windows 98, Windows 2000 Professional, Windows Me, Windows XP or Windows Vista
 - USB port
 - CD-ROM drive (or device that can read CD-ROM)

- Macintosh system
 - Power Mac G4, G4 Cube, iMac, iBook, PowerBook G4
 - Preinstalled Mac OS 8.6, Mac OS 9 or later, Mac OS X 10.1 or later

Notes

- Mac OS X 10.0 does not support this drive.
- With Mac OS X, format floppy disks with the “Erase” command of the Disk Utility and select the “Mac OS Standard” format.
- Mac OS X cannot format unformatted floppy disks.
- USB port (USB connector on Macintosh computer)

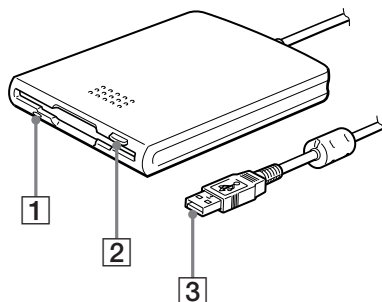
Supported Floppy Disks

The USB Floppy Disk Drive supports the following floppy disks:

- Windows
 - 2DD (720 KB)
 - 2HD (1.44 MB)
- Macintosh
 - 2DD (720 KB)
 - 2HD (1.44 MB)
 - 2HD (Mac standard format)

Parts and Functions

This section describes the USB Floppy Disk Drive parts and functions.



1 Status indicator

Indicates the status of the drive. It lights when the floppy disk in the drive is being accessed.

2 Eject button

Push this button to eject a floppy disk from the drive.

3 USB connector

Use to connect the drive to your computer.

Using the USB Floppy Disk Drive

This section describes how to use the USB Floppy Disk Drive.

To insert and eject a floppy disk with Windows

- 1 Holding a floppy disk label side up, push it into the drive until you hear a click.
- 2 Perform the desired operations with the floppy disk from your computer.
- 3 To eject the floppy disk, wait until the status indicator goes off, and then push the eject button.

Note

Do not eject the floppy disk from the drive while the status indicator is on as this may result in data loss or damage.

To insert and eject a floppy disk with Macintosh

- 1 Holding a floppy disk label side up, push it into the drive until you hear a click.
A floppy disk icon appears on your desktop.
- 2 Perform the desired operations with the floppy disk from your computer.

- 3** To eject the floppy disk, drag the floppy disk icon to the trash can on your desktop.

A message confirming that you can eject the floppy disk from the drive appears.

- 4** Push the eject button of the drive.

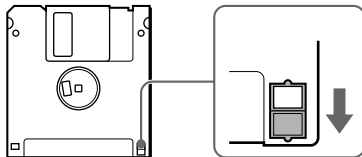
Notes

- Do not eject the floppy disk by pushing the eject button before dragging the floppy disk icon to the trash can as this may result in data loss or damage.
- It is recommended to eject the floppy disk from the drive before your computer goes into sleep mode.

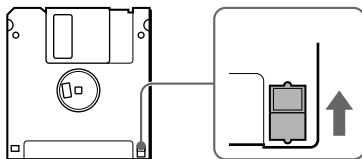
To write-protect a floppy disk

To prevent data on a floppy disk from being overwritten, you can write-protect the floppy disk. When the floppy disk is write-protected, data cannot be saved on it.

To write-protect a floppy disk, push the write-protect tab as illustrated below.



To remove the write-protection on a floppy disk, push the write-protect tab as illustrated below.



Installing the Windows XP & Windows Vista Device Driver

Windows XP and Windows Vista do not require a device driver to use the USB Floppy Disk Drive because the device driver is already installed. It is automatically found when you connect the drive to your computer.

Installing the Windows Me Device Driver

This section explains how to install the USB Floppy Disk Drive device driver on a system running Windows Me.

To install the device driver

- 1 Insert USB Floppy Disk Drive Device Driver CD-ROM into the CD-ROM drive of your computer.

- 2 Connect the USB connector of the USB Floppy Disk Drive to the USB port of your computer. The Add New Hardware wizard starts and the following dialog box appears.



- 3 Select “Specify the location of the driver (Advanced)”, and then click [Next]. The following dialog box appears.



- 4 Select the “Specify a location” check box and type “X:\Win2000.ME” (where X is your CD-ROM drive letter) in the box.

Note

Make sure that all the other check boxes are clear.

- 5 Click [Next].
The following dialog box appears.



- 6 Confirm the location of the device driver.

Note

If the location is not
“X:\WIN2000.ME\SONYU2K.INF”
(where X is your CD-ROM drive letter),
click [Back] and return to step 3.

- 7 Click [Next] to install the device driver.
- 8 When installation is complete,
click [Finish].

Installing the Windows 2000 Device Driver

This section explains how to install the USB Floppy Disk Drive device driver on a system running Windows 2000.

To install the device driver

- 1 Insert USB Floppy Disk Drive Device Driver CD-ROM into the CD-ROM drive of your computer.
- 2 Connect the USB connector of the USB Floppy Disk Drive to the USB port of your computer. The Found New Hardware wizard starts and the following dialog box appears.

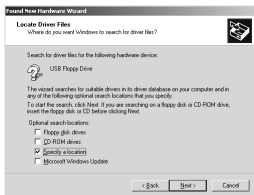


- 3** Click [Next].
The following dialog box appears.



- 4** Select “Search for a suitable driver for my device (recommended)”, and then click [Next].

The following dialog box appears.



- 5** Select the “Specify a location” check box.

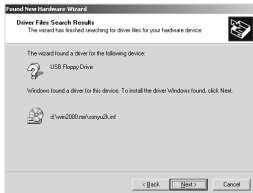
Note

Make sure that all the other check boxes are clear.

- 6** Click [Next].
The following dialog box appears.



- 7** In the “Copy manufacturer's files from” box, type “X:\Win2000.ME” (where X is your CD-ROM drive letter), and then click [OK].
The following dialog box appears.



- 8** Confirm the location of the device driver.

Note

If the driver location is not “X:\win2000.mel\sony2k.inf” (where X is your CD-ROM drive letter), click [Back] and return to step 4.

- 9** Click [Next] to install the device driver.
10 When installation is complete, click [Finish].

Installing the Windows 98 Device Driver

This section explains how to install the USB Floppy Disk Drive device driver on a system running Windows 98.

To install the device driver

- 1 Insert USB Floppy Disk Drive Device Driver CD-ROM into the CD-ROM drive of your computer.
- 2 Connect the USB connector of the USB Floppy Disk Drive to the USB port of your computer. The Add New Hardware wizard starts and the following dialog box appears.



- 3 Click [Next]. The following dialog box appears.



- 4 Select "Search for the best drivers for your device (Recommended)", and then click [Next]. The following dialog box appears.



- 5 Select the "Specify a location" check box and type "X:\Win98" (where X is your CD-ROM drive letter) in the box, and then click [Next]. The following dialog box appears.



- 6 Confirm the location of the device driver.

Note

If the location is not “X:\WIN98\SONYUFD1.INF” (where X is your CD-ROM drive letter), click [Back] and return to step 4.

- 7 Click [Next] to install the device driver. When installation is complete, click [Finish]. The following dialog box appears.



- 8 Click [Next], and then repeat steps 4 and 5. When you are done, the following dialog box appears.



- 9 Select “The updated driver (Recommended)”, and then click [Next].

The following dialog box appears.



- 10 Confirm the location of the device driver.

Note

If the location is not “X:\WIN98\SONYUFD2.INF” (where X is your CD-ROM drive letter), click [Back] and return to step 9.

- 11 Click [Next] to install the device driver.
- 12 When installation is complete, click [Finish].

Installing the Mac OS 9.x/Mac OS X Device Driver

Mac OS 9 or later, and Mac OS X 10.1 or later versions do not require a device driver to use the USB Floppy Disk Drive.

Notes

- With Mac OS X, format floppy disks with the “Erase” command of the Disk Utility and select the “Mac OS Standard” format.
- Mac OS X cannot format unformatted floppy disks.

Installing the Mac OS 8.6 Device Driver

Mac OS 8.6 needs USB Mass Storage Support 1.3.5 to use the USB Floppy Disk Drive.

Visit the Apple Web site at the address below to download USB Mass Storage Support 1.3.5 and installation instructions.

- <http://docs.info.apple.com/article.html?artnum=60394>

Note

If you do not have an Apple ID, you must create an account to access the USB Mass Storage Support 1.3.5 article page. Follow the instructions on the screen to create a new account. After your account is created, the USB Mass Storage Support 1.3.5 article page opens automatically.

Specifications

Power requirements

DC 4.75 to 5.25 V (powered by the USB port)

Power consumption

0.5 A (2.5 W)

Operating temperature

5 to 35°C (41 to 95°F)

Operating humidity

20 to 80% RH (no condensation)

Storage environments

-20 to 55°C (-4 to 131°F) at 15 to 90% RH (no condensation)

Supported floppy disks

3.5-inch micro floppy disk (2HD and 2DD)

Support formats

- Windows
 - 2DD (720 KB)
 - 2HD (1.44 MB)
- Macintosh
 - 2DD (720 KB)
 - 2HD (1.44 MB)
 - 2HD (Mac standard format)

Interface

USB
(MPF88E/MPF82E)

Dimensions (W×D×H)

Approx. 103 × 140 × 16.6 mm
(excluding cable and protrusions)

Weight

Approx. 280 g (MPF88E)

Approx. 270 g (MPF82E)

Technical Support

Local technical support service is only available in the following sales regions.

● **For customers in the USA
(Sony Electronics Inc.)**

Monday to Saturday 8:00 a.m. - 8:00 p.m.
CT

- Toll free: 1-800-588-3847
- Free telephone support is offered for 90 days after your first call. USA technical support only: Web-based technical support is free and available 24 hours a day, 7 days a week.
- Web site:
<http://sony.storagesupport.com/>

● **For customers in Europe**

Refer to “Customer Support and Service” of the European guarantee certificate.

● **For customers in Australia
and New Zealand
(Sony Australia Limited)**

Monday to Friday 8:30 a.m. - 6:00
p.m. EST

- Toll free: (Australia) 1300-13-7669
(NZ) 0800-7669-7895
- Web site:
www.sony.com.au/support.asp
- E-mail:
cic-customerissues@ap.sony.com

● **For customers in Hong Kong
(Sony Corporation of Hong
Kong Service Center)**

Monday to Friday 9:00 a.m. - 6:00 p.m.

- Hotline: 28335129
- Product information Web site:
[http://www.sony.com.hk/
Electronics/cp](http://www.sony.com.hk/Electronics/cp)

● **For customers in China
(Sony Corporation of Hong
Kong, China Customer Call
Center)**

Monday to Friday 8:30 a.m. - 7:00 p.m.,
Saturday 9:00 a.m. - 4:30 p.m.

- Toll free: 86-800-810-2228
- Product information Web site:
[http://www.sony.com.cn/
electronics/edmh/home.htm](http://www.sony.com.cn/electronics/edmh/home.htm)
- E-mail:
EDMH-shanghai@sony.com.cn

● **For customers in Korea
(Sony Korea Corp.)**

Monday to Friday 10:00 a.m. - 7:00 p.m.
CS center of Sony Korea
Tel.: 080-777-2000

● **For customers in Taiwan
(Sony Taiwan Limited)**

Monday to Friday 10:00 a.m. - 5:00 p.m.
Computer Peripheral Department
Tel.: 02-2522-7920

● **For customers in Singapore,
Malaysia, Thailand, the
Philippines, Indonesia,
Vietnam, South Africa, and
India
(Sony Electronics Singapore
Pte. Ltd.)**

Monday to Friday 9:00 a.m. - 5:00 p.m.
Tel.: (65) 6544 7393

End User License Agreement

IMPORTANT NOTICE

The following "END USER LICENSE AGREEMENT" applies to the USB Floppy Disk Drive Device Driver software provided by Sony. Please read the following "END USER LICENSE AGREEMENT" before installing. By installing the device driver software, you agree to the "END USER LICENSE AGREEMENT".

END USER LICENSE AGREEMENT

This is a legal agreement between you (hereafter referred to as the User) and Sony Corporation (hereafter referred to as Sony) pertaining to the right to use the USB Floppy Disk Drive Device Driver software (hereafter referred to as the PROGRAM). Using the PROGRAM indicates your acceptance of these terms and conclusion of the Agreement between the User and Sony.

- 1 Copyright and all other rights relating to the PROGRAM and documents accompanying the PROGRAM are owned by Sony or the original rightful person or organization (hereafter referred to as the original rightful person) granting Sony the right to use the PROGRAM. The User is granted no rights other than those specified in this agreement.
- 2 Sony grants the User the non-exclusive, indivisible and non-transferable right to use the PROGRAM for the purpose of using the Sony product "USB floppy disk drive" for which the PROGRAM designates.
- 3 The User may not transfer the Right of Use described above to any third party nor allow for any third party to use the PROGRAM unless the User obtains the advance written permission of Sony.
- 4 The User may not export or transport the PROGRAM or documents accompanying the PROGRAM from the country where the User installed the PROGRAM to any other country.
- 5 The User may not (i) update, add to, or modify nor (ii) de-assemble or de-compile the PROGRAM either in whole or in part.
- 6 THE PROGRAM IS PROVIDED "AS IS" WITHOUT EXPRESS OR IMPLIED WARRANTIES, INCLUDING WARRANTIES OF MERCHANTABILITY AND FITNESS FOR A PARTICULAR PURPOSE OR NON-DEFECTIVENESS.
- 7 If any dispute relating to infringement of copyright, patent, or other intangible property rights arises between the User and a third party as a consequence of use of the PROGRAM, the User shall settle the dispute at the User's own expense, and shall make no claim against Sony or the original rightful person.
- 8 Sony may terminate your license upon notice for failure to comply with any of these Terms. Any such termination shall not affect any payments, any compensation for damage. Upon termination, you must immediately destroy the Software together with all copies in any form.
- 9 This Agreement has several non-English language versions for the reference purpose only. In the event of any discrepancy between the English language version and any other language version, the English language version shall prevail.

第一次使用驱动器前，必须在计算机上安装设备驱动程序。

连接驱动器前，请参阅第6页了解有关设备驱动程序安装步骤的详情。也请参阅第13页的终端用户许可协议。

目录

概述	3
概述	3
包装内含部件	3
系统要求	3
支持的软盘	3
部件和功能	4
使用 USB 软驱	4
安装	6
安装 Windows XP 与 Windows Vista 设备驱动程序	6
安装 Windows Me 设备驱动程序	6
安装 Windows 2000 设备驱动程序	7
安装 Windows 98 设备驱动程序	9
安装 Mac OS 9.x/Mac OS X 设备驱动程序	11
安装 Mac OS 8.6 设备驱动程序	11
附录	11
规格	11
技术支持	12
最终用户许可协议	13

概述

USB 软驱是与 Windows 和 Macintosh 系统兼容的便携式软驱，通过 USB 接口连接和供电。

包装内含部件

USB 软驱包装内含下列部件：

- MPF88E/MPF82E 系列 USB 软驱
- 使用说明书
- USB 软驱设备驱动程序 CD-ROM

系统要求

USB 软驱需要下列最低系统配置：

- PC/AT 兼容个人计算机
 - 预装有 Windows 98, Windows 2000 专业版, Windows Me, Windows XP 或 Windows Vista
 - USB 端口
 - CD-ROM 驱动器（或可读 CD-ROM 的设备）

- Macintosh 系统
 - Power Mac G4, G4Cube, iMac, iBook, PowerBook G4
 - 预装 Mac OS 8.6, Mac OS 9 或更新版本, Mac OS X 10.1 或更新版本

注

- Mac OS X 10.0 不支持此设备。
- 使用 Mac OS X 时，请使用磁盘实用程序中的“Erase”命令并选择“Mac OS Standard”格式来格式化软盘。
- Mac OS X 不能格式化未经格式化的软盘。
- USB 端口（Macintosh 计算机上的 USB 连接器）

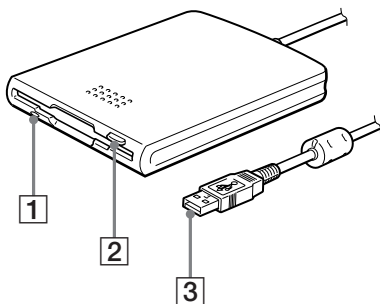
支持的软盘

USB 软驱支持下列软盘：

- Windows
 - 2DD (720KB)
 - 2HD (1.44MB)
- Macintosh
 - 2DD (720KB)
 - 2HD (1.44MB)
 - 2HD (Mac 标准格式)

部件和功能

本节介绍 USB 软驱的部件和功能。



1 状态指示灯

指示驱动器的状态，当驱动器里的软盘正在存取时此灯点亮。

2 弹出按钮

按下此按钮，将软盘从驱动器里弹出。

3 USB 连接器

用于把驱动器和计算机相连。

使用 USB 软驱

本节介绍怎样使用 USB 软驱。

在 Windows 下要插入和弹出软盘

- 1 让软盘标签面朝上，把它推入驱动器直到听到“卡嗒”一声。
- 2 从计算机上用软盘进行所需的操作。
- 3 要弹出软盘，请一直等到状态指示灯熄灭，然后按弹出按钮。

注

当状态指示灯点亮时，不要从驱动器里弹出软盘，因为这可能导致数据丢失或损坏。

在 Macintosh 下要插入和弹出软盘

- 1 让软盘标签面朝上，把它推入驱动器直到听到“卡嗒”一声。桌面上出现软盘图标。
- 2 从计算机上用软盘进行所需的操作。

3 要弹出软盘，把软盘图标拖到桌面上的回收站中。出现可从驱动器弹出软盘的确认讯息。

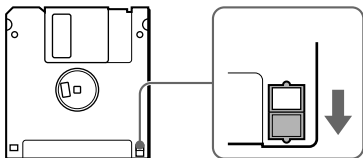
4 按驱动器的弹出按钮。
注

- 在把软盘图标拖到回收站之前不要弹出软盘，因为这可能导致数据丢失或损坏。
- 建议在计算机进入睡眠模式之前从驱动器中弹出软盘。

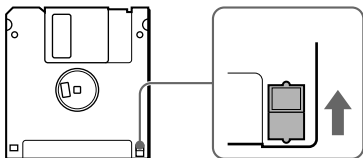
要写保护一张软盘

要防止软盘上的数据被覆盖，可以对软盘进行写保护。当软盘写保护时，不能把数据保存到软盘上。

要写保护一张软盘，如下图所示拨动写保护开关。



要取消软盘的写保护，如下图所示拨动写保护开关。



安装 Windows XP 与 Windows Vista 设备驱动程序

在 Windows XP 与 Windows Vista 下使用 USB 软驱不需要设备驱动程序，因为已经安装了设备驱动程序。当把驱动器和计算机相连时，会自动发现驱动器。

安装 Windows Me 设备驱动程序

本节介绍怎样在运行 Windows Me 的系统上安装 USB 软驱设备驱动程序。

要安装设备驱动程序

1 把 USB 软驱设备驱动程序 CD-ROM 插入计算机上的 CD-ROM 驱动器。

2 连接 USB 软驱的 USB 连接器和计算机的 USB 连接器。
启动 Add New Hardware Wizard，下列对话框出现。



3 选择“Specify the location of the driver (Advanced)”，然后单击 [Next]。
下列对话框出现。



4 选择“Specify a location”复选框并在框内输入“X:\Win2000.ME”（此处 X 是 CD-ROM 驱动器的盘符）。

注
必须清除其它所有复选框。

- 5 单击 [Next]。
下列对话框出现。



- 6 确认设备驱动程序的位置。
注
如果位置不是
“X:\WIN2000.ME\SONYU2K.INF”
(此处 X 是 CD-ROM 驱动器的盘符),
请单击 [Back], 返回到第 3 步。
- 7 单击 [Next], 安装设备驱动程序。
- 8 当完成安装时, 单击 [Finish]。

安装 Windows 2000 设备驱动程序

本节介绍怎样在运行 Windows 2000 的系统上安装 USB 软驱设备驱动程序。

要安装设备驱动程序

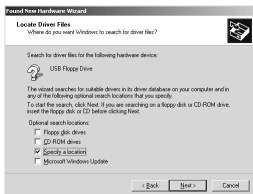
- 1 把 USB 软驱设备驱动程序 CD-ROM 插入计算机上的 CD-ROM 驱动器。
- 2 连接 USB 软驱的 USB 连接器和计算机的 USB 连接器。
启动 Found New Hardware wizard, 下列对话框出现。



- 3 单击 [Next]。
下列对话框出现。



- 4 选择 “Search for a suitable driver for my device (recommended)”，然后单击 [Next]。
下列对话框出现。

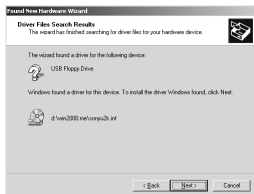


- 5 选择 “Specify a location” 复选框。
注
必须清除所有其它复选框。

- 6 单击 [Next]。
下列对话框出现。



- 7 在 “Copy manufacturer's files from” 框中，输入 “X:\Win2000.ME”（此处 X 是 CD-ROM 驱动器的盘符），然后单击 [OK]。
下列对话框出现。



- 8 确认设备驱动程序的位置。
注

如果位置不是 “X:\win2000.me\sonyu2k.inf”（此处 X 是 CD-ROM 驱动器的盘符），请单击 [Back]，返回到第 4 步。

- 9 单击 [Next]，安装设备驱动程序。

- 10 当安装完成时，单击 [Finish]。

安装 Windows 98 设备驱动程序

本节介绍怎样在运行 Windows 98 的系统上安装 USB 软驱设备驱动程序。

要安装设备驱动程序

- 1 把 USB 软驱设备驱动程序 CD-ROM 插入计算机上的 CD-ROM 驱动器。
- 2 连接 USB 软驱的 USB 连接器和计算机的 USB 连接器。启动 Add New Hardware Wizard，出现下列对话框。



- 3 单击 [Next]。下列对话框出现。



- 4 选择“Search for the best drivers for your device (Recommended)”，然后单击 [Next]。下列对话框出现。



- 5 选择“Specify a location”复选框，输入“X:\Win98”（此处 X 是 CD-ROM 驱动器的盘符），然后单击 [Next]。下列对话框出现。



6 确认设备驱动程序的位置。

注

如果位置不是

“X:\WIN98\SONYUFD1.INF”（此处 X 是 CD-ROM 驱动器的盘符），请单击 [Back]，返回到 4 步。

7 单击 [Next]，安装设备驱动程序，当安装完成时，单击 [Finish]。

下列对话框出现。



8 单击 [Next]，然后重复第 4 和第 5 步。完成后，下列对话框出现。



9 选择 “The updated driver (Recommended)”，然后单击 [Next]。

下列对话框出现。



10 确认设备驱动程序的位置。

注

如果位置不是

“X:\WIN98\SONYUFD2.INF”（此处 X 是 CD-ROM 驱动器的盘符），请单击 [Back]，返回第 9 步。

11 单击 [Next]，安装设备驱动程序。

12 当安装完成时，单击 [Finish]。

安装 Mac OS 9.x/ Mac OS X 设备驱动程序

Mac OS 9 或更新版本, Mac OS X 10.1 或更新版本使用 USB 软驱时不需要设备驱动程序。

注

- 使用 Mac OS X 时, 请使用磁盘应用程序中的“Erase”命令并选择“Mac OS Standard”格式来格式化软盘。
- Mac OS X 不能格式化未经格式化的软盘。

安装 Mac OS 8.6 设备驱动程序

Mac OS 8.6 使用 USB 软驱需要 USB Mass Storage Support 1.3.5。

请访问 Apple 公司网站, 地址如下, 下载 USB Mass Storage Support 1.3.5 和安装说明。

- <http://docs.info.apple.com/article.html?artnum=60394>

注

如果您没有 Apple ID, 您必须建立一个帐号以进入 USB Mass Storage Support 1.3.5 标题网页。按照屏幕指示建立一个新帐号。您的帐号建立后, 会自动打开 USB Mass Storage Support 1.3.5 标题网页。

规格

电源要求

直流 4.75 到 5.25 V (USB 端口供电)

耗电量

2.5 W

操作温度

5 到 35°C

操作湿度

20 到 80% 相对湿度 (无结露)

存放温度

-20°C 到 55°C, 15% 到 90% 相对湿度 (无结露)

支持的软盘

3.5 英寸微型软盘 (2HD 和 2DD)

支持的格式

- Windows
 - 2DD (720 KB)
 - 2HD (1.44 MB)
- Macintosh
 - 2DD (720 KB)
 - 2HD (1.44 MB)
 - 2HD (Mac 标准格式)

接口

USB
(MPF88E/MPF82E)

尺寸 (宽 × 深 × 高)

约 103 × 140 × 16.6 mm (不包括电缆和突出物)

重量

约 280 克 (MPF88E)
约 270 克 (MPF82E)

仅在下列销售区域有当地技术支持服务。

●对于香港的用户

(Sony 公司香港服务中心):

星期一到星期五上午 9:00- 下午 6:00

• 热线: 28335129

• 产品信息网站:

www.sony.com.hk/Electronics/cp

●对于中国的用户

(Sony 香港公司的中国用户电话中心):

星期一到星期五上午 8:30- 下午 7:00, 星期六上午 9:00- 下午 4:30

• 免费电话: 86-800-810-2228

• 产品信息网站:

<http://www.sony.com.cn/electronics/edmh/home.htm>

• E-mail:

EDMH-shanghai@sony.com.cn

●对于韩国的用户

(Sony Korea Corp.):

星期一到星期五上午 10:00- 下午 7:00

Sony Korea 用户服务中心

电话: 080-777-2000

●对于台湾的用户

(台湾新力国际股份有限公司):

星期一到星期五上午 10:00- 下午 5:00

电脑外设部

电话: 02-2522-7920

最终用户许可协议

重要注意事项

下述“最终用户许可协议”适用于 Sony 提供的 USB 软盘驱动器设备驱动程序软件。

在安装前请阅读下述“最终用户许可协议”。通过安装设备驱动程序软件，表示您同意“最终用户许可协议”。

最终用户许可协议

这是您（以下称为用户）和 Sony 公司（以下称为 Sony）之间有关 USB 软盘驱动器设备驱动程序软件（以下称为程序）使用权的法律协议。使用程序表示您接受用户和 Sony 之间协议的条款和结论。

- 1 有关程序和它附带的文档的版权及所有其它权力属于 Sony 或原所有权人或组织（以下称为原所有权人）准许 Sony 使用程序。用户除了本协议规定的权力外没有被授予其它权力。
- 2 Sony 授予用户非独占的、不可分割和不可转换的程序使用权，以便使用程序中指定的 Sony 产品“USB 软盘驱动器”。
- 3 用户未经 Sony 事先书面许可，不得把上述使用权转让给第三方或允许第三方使用程序。
- 4 用户不能把程序或它附带的文档从用户安装程序的国家出口或运到任何其它国家。
- 5 用户不能全部或部分 (i) 更新、增加或修改 (ii) 反汇编或反编译程序。
- 6 提供的程序没有明确或暗示的担保，包括担保有销路，适用于某一特定场合或没有缺陷。
- 7 如果由于使用程序而在用户和第三方之间产生有关侵犯版权、专利或其它无形资产的争端，用户应自己负责解决争端，不应向 Sony 或原所有权人索赔。
- 8 Sony 会因您未遵守任一条款而通知您终止您的许可协议。此类终止不会影响到损失支付和补偿。此时，您必须立即删除软件以及任何形式的复制件。
- 9 本协议有几种非英语版本，它们仅用于参考。如果英语版本和其它语言版本之间存在差异，请以英语版本为准。

