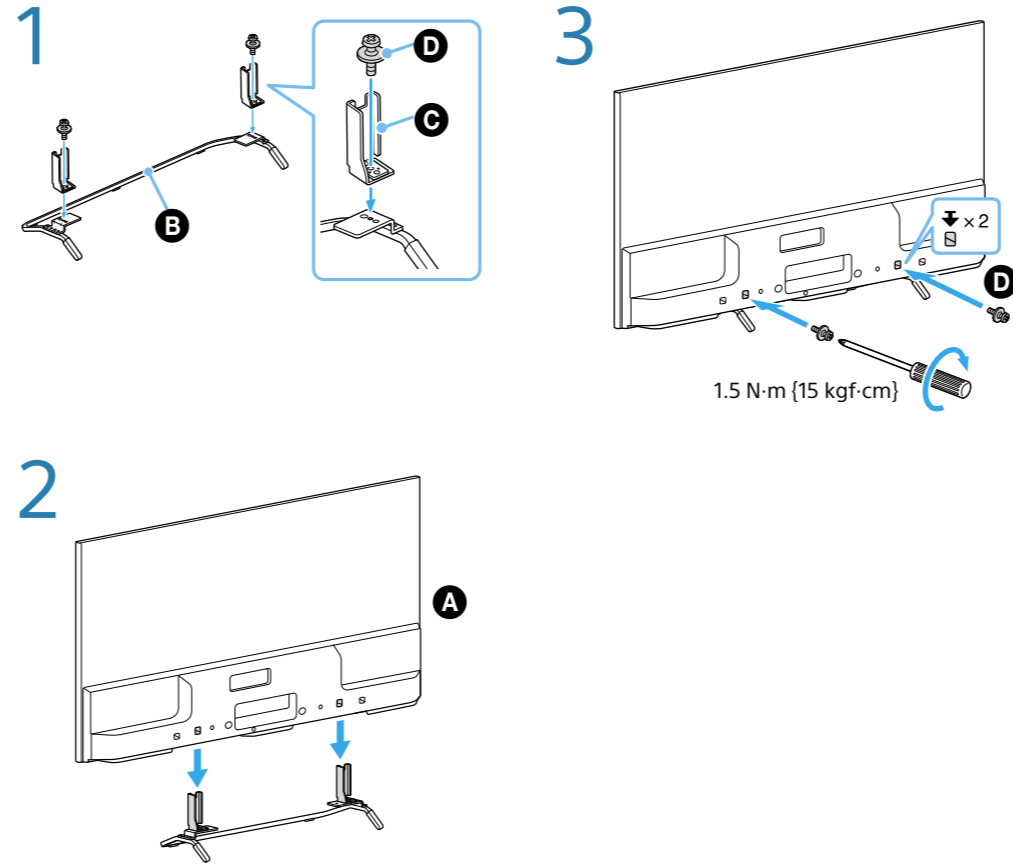
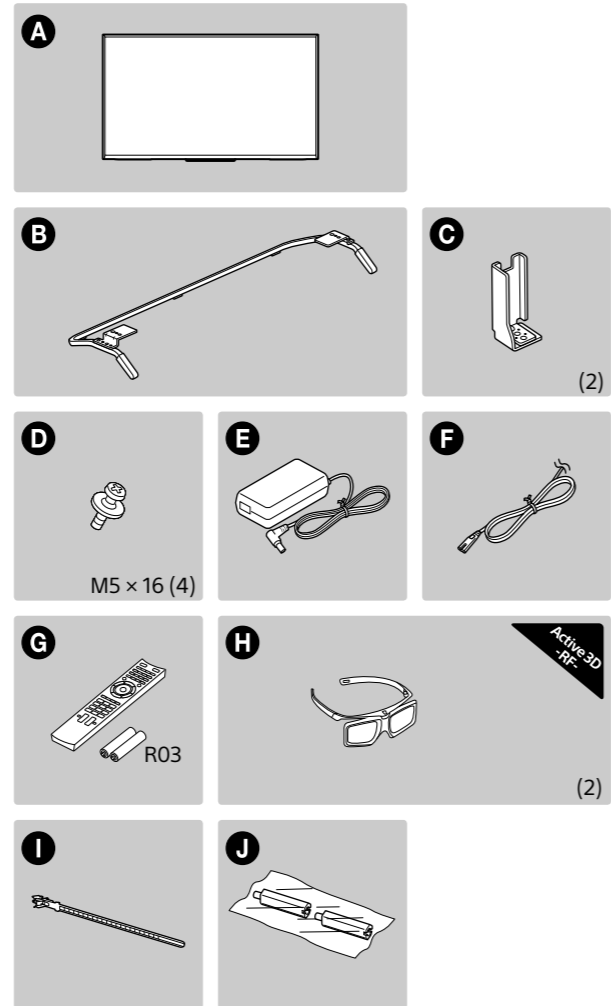
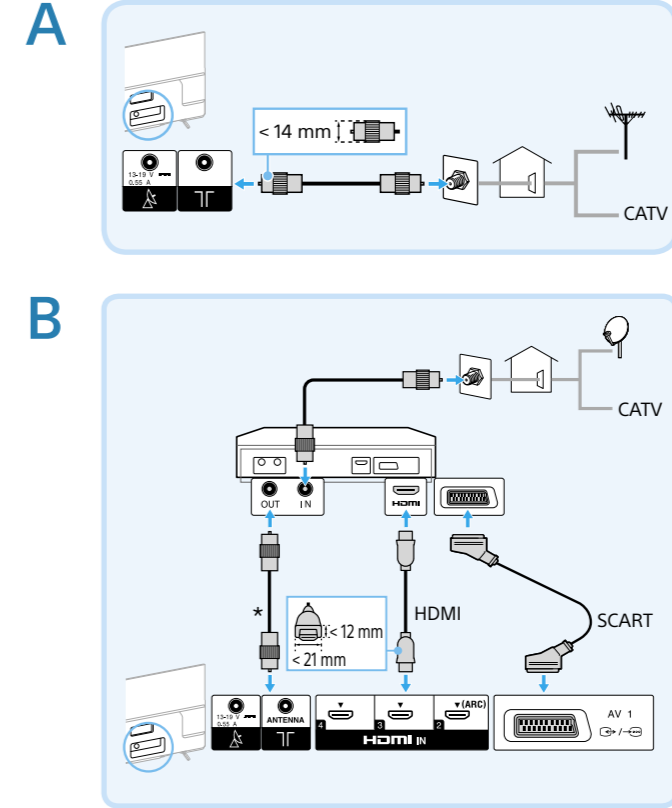


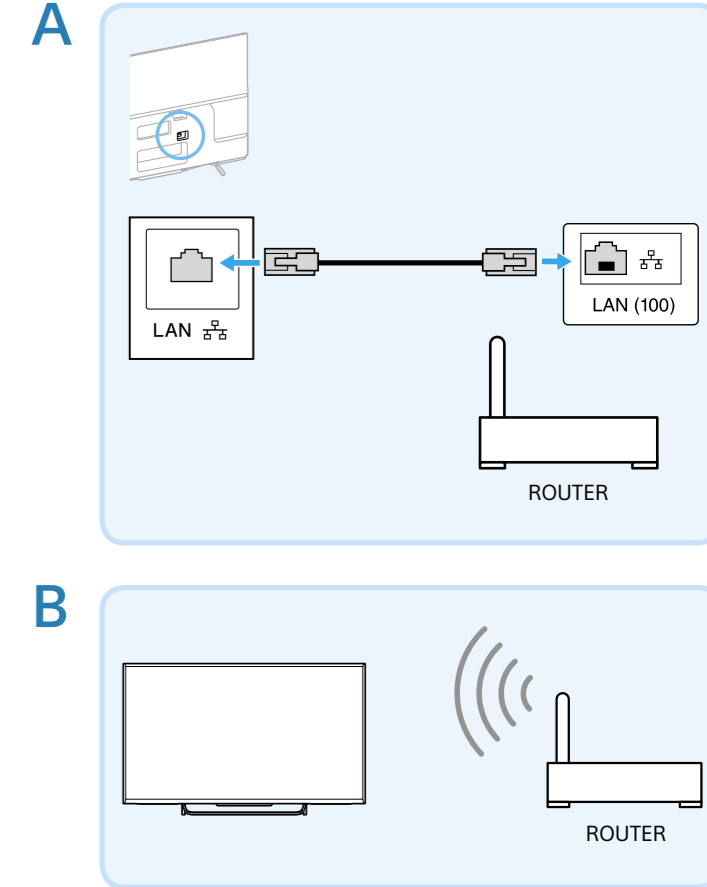
# Quick Start Guide



Refer to "Safety Information" in the Reference Guide before transporting the TV. Your TV's Table-Top Stand will be used as part of the Wall-Mount Bracket. Refer to "Installing the TV to the Wall" in Reference Guide for instructions.



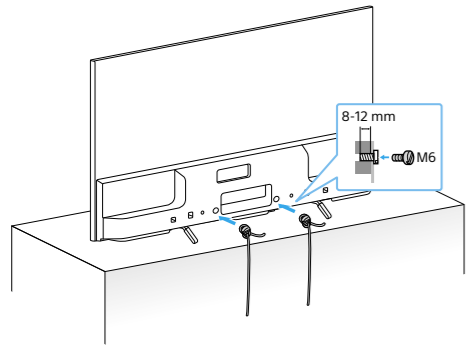
**Connections** for aerial or cable antenna (A), with cable/satellite set top box (B). Select HDMI or SCART connection.  
 \* STB with recording function, connect to for cable reception, to for satellite reception additionally.



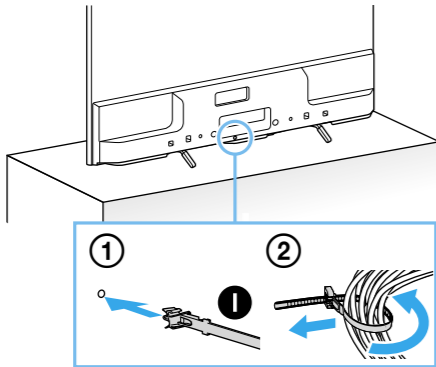
**Internet** connection Wired (use category 7 LAN cable) (A), wireless (B). Refer to the manufacturer or the manual supplied with the router for router settings.



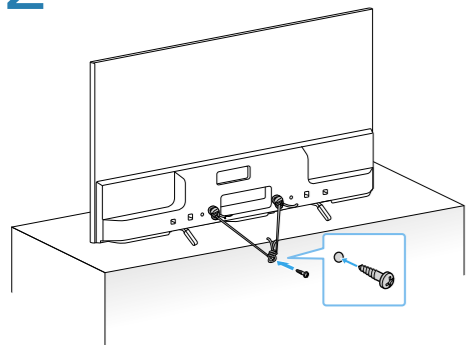
1



3



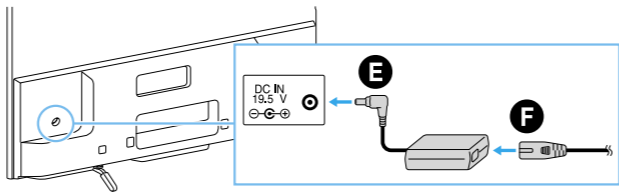
2



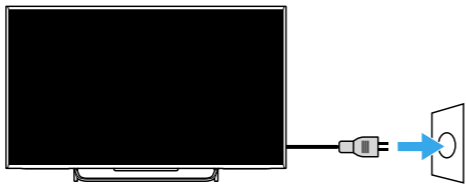
**Installation** Do not bundle the mains lead together with other cables.



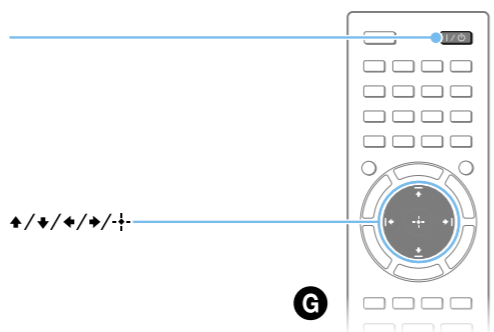
1



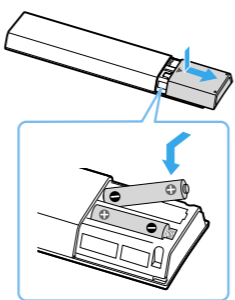
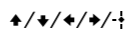
2



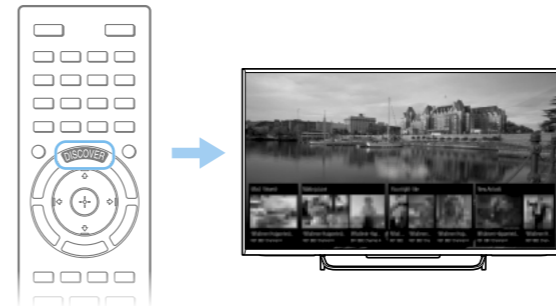
3



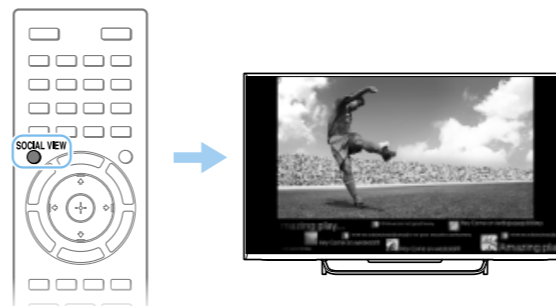
4



**Go** through the on-screen initial settings.



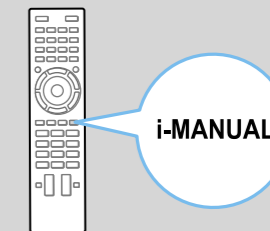
**Press** DISCOVER to search for content (such as TV programs, Internet content, etc.). Content that appears in Discover vary depending on your model/region/country.



**Press** SOCIAL VIEW to enjoy chatting with friends while watching TV. The available features in Social Viewing may vary depending on your TV model/region/country.



**Reference Guide** : Safety information, Precautions, Wall-mounting, Troubleshooting, Specifications



**i-Manual** : Information on how to use all TV features

<http://support.sony-europe.com/>