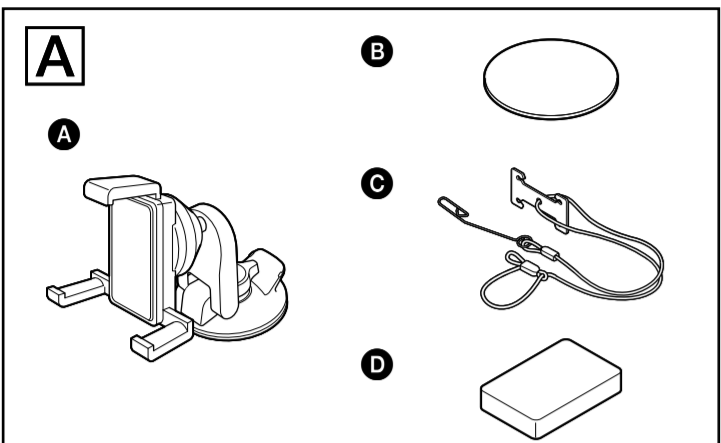


## Smartphone Car Holder

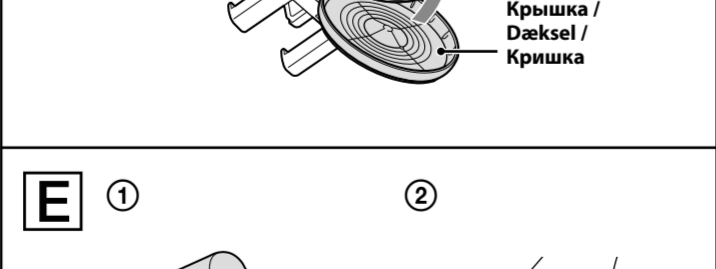
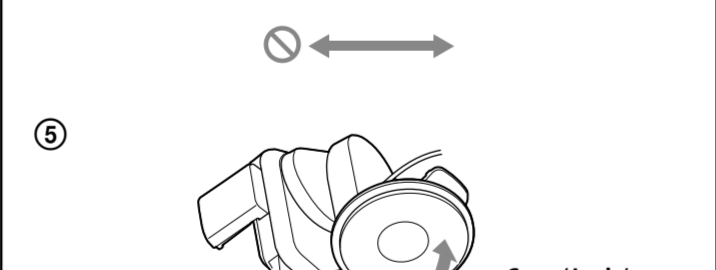
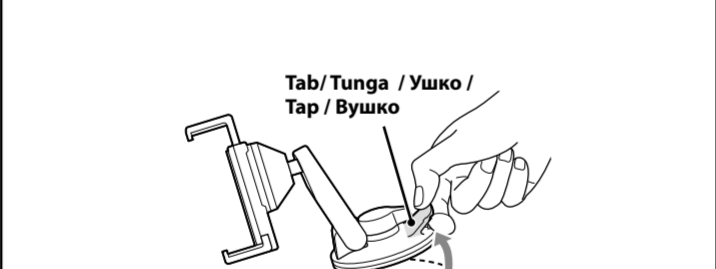
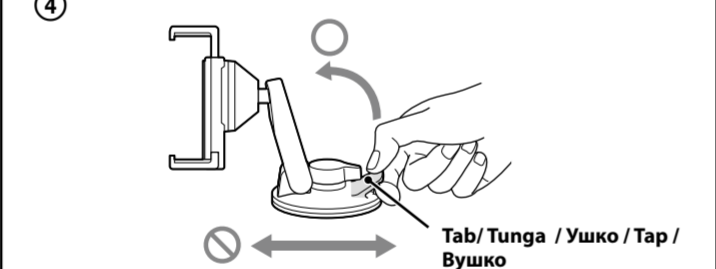
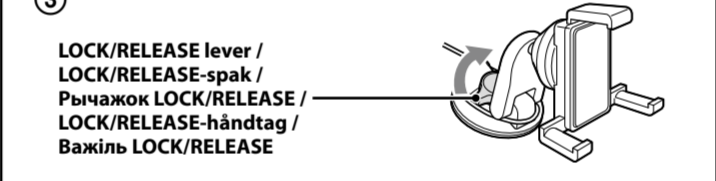
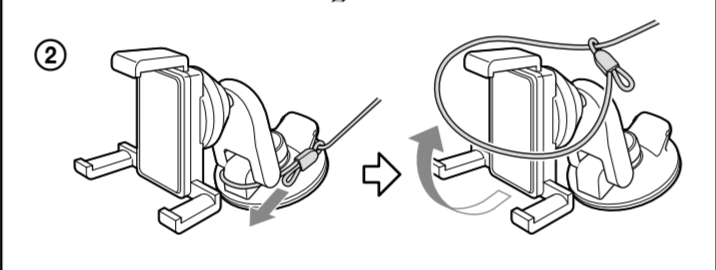
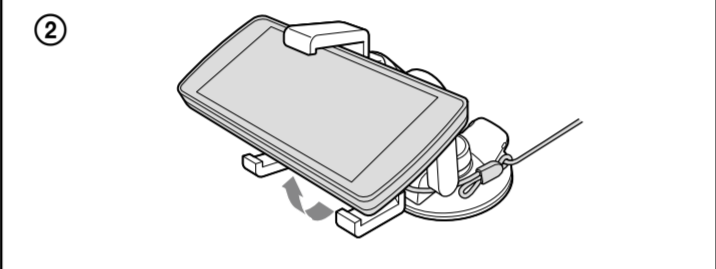
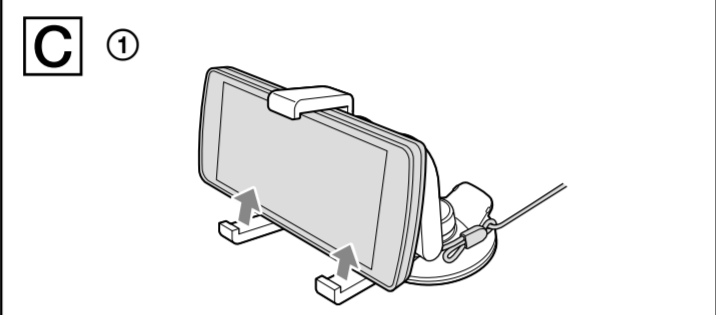
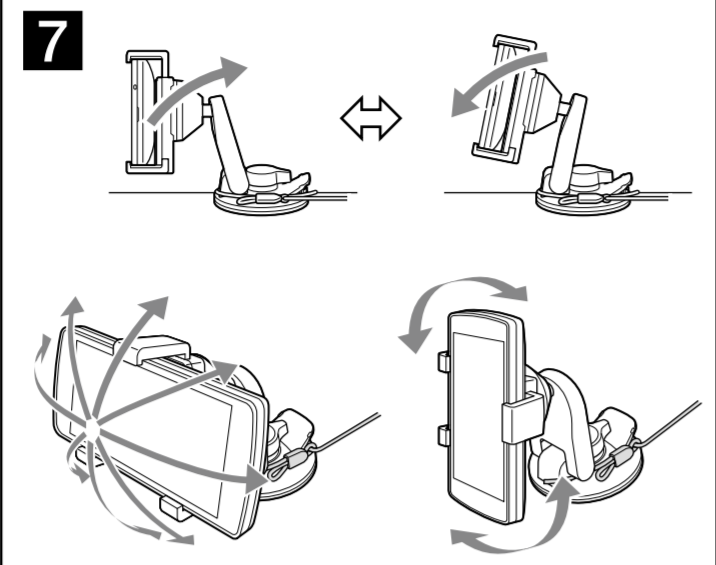
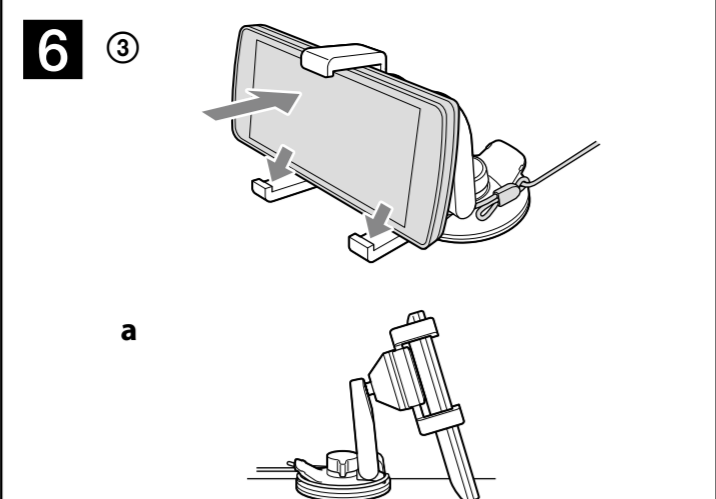
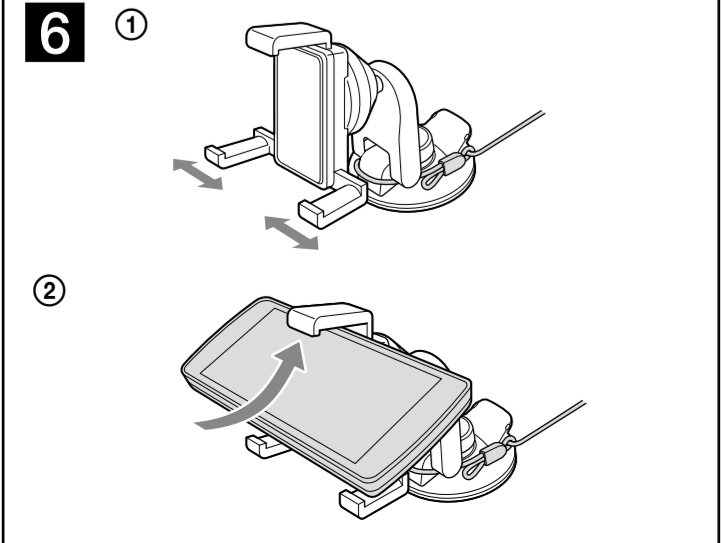
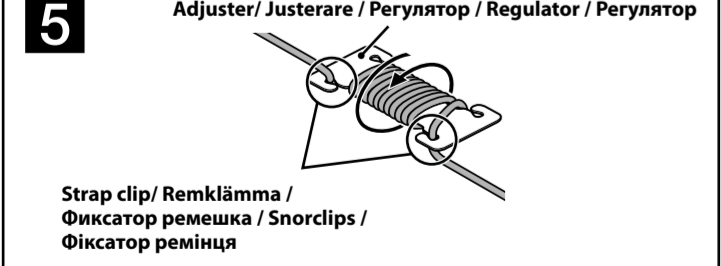
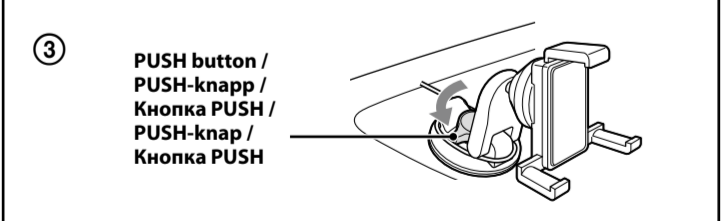
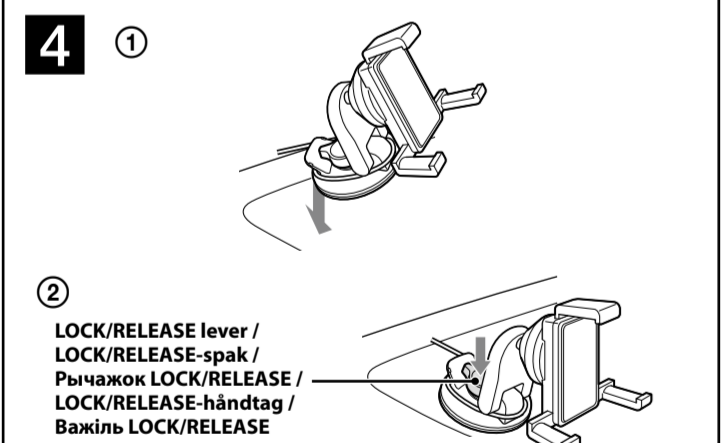
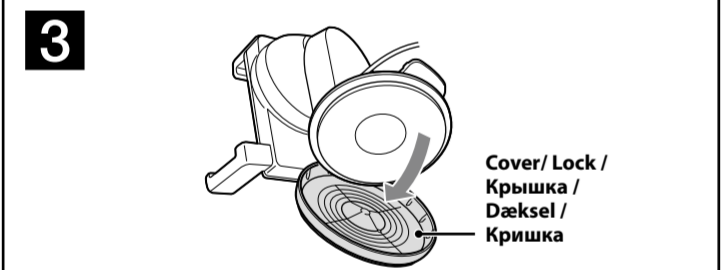
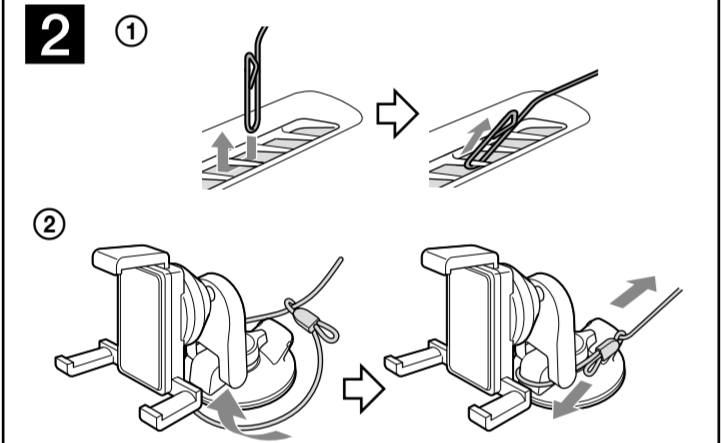
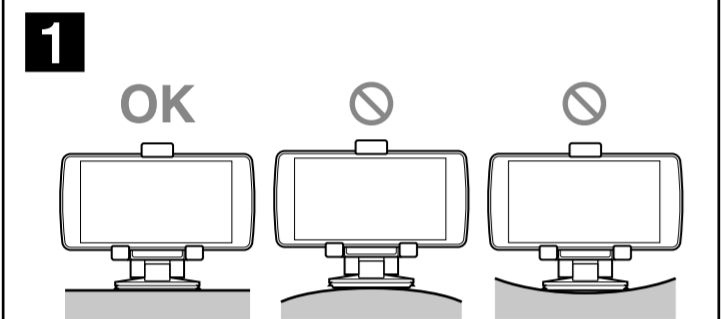
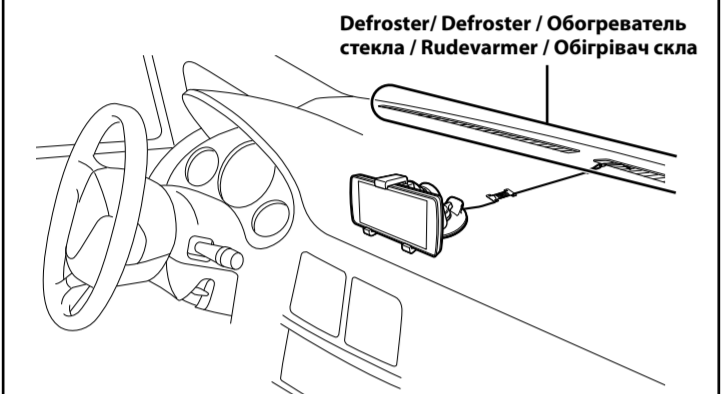
Operating Instructions  
Bruksanvisning  
Инструкция по эксплуатации  
Betjeningsvejledning  
Посібник з експлуатації

©2013 Sony Mobile Communications AB.  
Printed in China  
<http://www.sonymobile.com>

## SPA-CK20M



## B Installation example / Installationsexempel / Пример установки / Монteringsexempel / Приклад встановлення



## English

## Notice for the customers in the countries applying EU Directives

This product has been manufactured by or on behalf of Sony Corporation, 1-7-1 Konan Minato-ku Tokyo, 108-0075 Japan. Inquiries related to product compliance based on European Union legislation shall be addressed to the authorized representative, Sony Deutschland GmbH, Hedelfinger Strasse 61, 70327 Stuttgart, Germany. For any service or guarantee matters, please refer to the addresses provided in the separate service or guarantee documents.

## Precautions

- A driver is obligated to follow road traffic laws. Violation of road safety rules, such as neglecting "proceed with caution," etc., is illegal, and it may result in an accident or injury.
  - Do not operate your smartphone while driving.
  - Do not glance at the screen of your smartphone while driving. Glancing at a screen of navigation system is restricted by the law.
  - Listen to sound at a volume which allows you to hear outside sound.
  - When voice guidance is heard, do not perform sudden driving maneuvers.
  - During the navigation guidance, drive in accordance with actual traffic regulations, such as one-way traffic, etc.

- The unit is unit securely using the supplied accessory parts. Use of other than the supplied parts may damage this unit or cause parts to become loose. It may result in injury.
- Do not install the unit in a place exposed to rain or water, or in a location subject to high humidity or dust. Installing the unit in a location described above may cause a malfunction.
- Do not disassemble or modify. Doing so may result in an accident.
- Do not leave the smartphone attached to this unit in your car. Leaving a smartphone in a location subject to direct sun light, such as on a dashboard, or in a hot or humid place, such as in a car, may result in battery bursting/leakage, which could cause injury.

- Do not install the unit in locations which might hinder driving operations. Doing so may cause an accident. Observe the following.
  - Do not place cords around parts such as screws, etc., or moving parts such as seat rails.
  - Make sure that the steering wheel, shift lever, brake pedals, etc., can be operated properly.

- Do not install the unit in locations which might hinder forward vision in compliance with local regulations. Hindering forward vision may result in an accident or injury.

- Do not install the unit in a place which might compromise air bag function. Installing the unit in such a place may cause injury.
- Do not use the headphone while driving. Doing so may cause an accident or injury.
- Do not drop water or a foreign object inside the smartphone. Doing so may cause a malfunction.
- Attach the smartphone securely on this unit. If you do not attach the smartphone securely on this unit, the smartphone may fall down and it may result in an accident, or injury. Make sure it is attached securely after attached.

- Install this unit on a dashboard securely. Make sure to follow the instructions on this manual about dealing with the suction cup. If you fail to do so, this unit may fall down from a dashboard and it may result in an accident, or injury.

- Keep this unit out of the reach of children. Swallowing a small part or dropping it may result in an accident or serious injury.

- Do not leave this unit on a dashboard. Leaving it installed on a dashboard may deform the dashboard.

- If the unit becomes detached and falls while driving, a traffic accident or injury may occur. To prevent this, be sure to use the supplied strap.

- Install this unit on a dashboard properly so that the unit will not interfere with normal driving.

- Follow the instructions on this manual about dealing with the suction cup to secure this unit on a dashboard. If you fail to do so, the adhesive strength of the suction cup may decrease, and this unit may fall down.

- If this unit becomes detached, a traffic accident may result. To prevent this, use the supplied strap.

- Remove this unit from the dashboard and keep it out of direct sunlight after use. Leaving it on a dashboard or in a car where it will be exposed to high temperature may cause malfunction, and it may also damage the dashboard.

- Be careful not to splash water on this unit. It may cause a malfunction.

- To disconnect the cord, pull it out by its connector, not the cord.

## Parts List (See fig. [A])

- Smartphone car holder
- Mounting sheet
- Strap
- Cleaning sponge for suction cup
- Operating Instructions (this document)

Design and specifications are subject to change without notice.

## Installation (See fig. [1] - [7])

## Important notice (See fig. [B])

Install this unit on a dashboard properly, so as not to conflict with road traffic rules, associated regulations and provisions. Particularly, make sure that this unit and the smartphone installed do not disturb your front view, driving operations and air bag function.

**1 Before installation**  
Mount this unit on an area of the dashboard which is smooth and horizontal.

**Check the material and condition of the dashboard where you intend to install this unit.**  
See "To attach the mounting sheet", and confirm whether to use the supplied mounting sheet.

**To attach the mounting sheet (fig. [A]-[B])**  
The suction cup may not stick to the dashboard securely, depending on the surface material of the dashboard. In this case, attach the mounting sheet on the dashboard and install this unit on it.

In the case of the following dashboards, use the mounting sheet.  
**If not using the mounting sheet, the suction cup may not stick to the dashboard securely, and may damage or deform the dashboard.**

- Soft material, easily deformed with a finger, etc.
- Rough, grain finish

**Notes on use of the mounting sheet**

- Choose the mounting location carefully. Practice installation before you actually mount the sheet, if necessary. It may be difficult to remove the mounting sheet from the dashboard as the adhesive strength of the mounting sheet is strong. **If you remove the mounting sheet forcibly, the dashboard may be deformed or damaged.**

- Allow 24 hours after sticking the mounting sheet on the dashboard before installing this unit on it.

- Removing the mounting sheet from the dashboard decreases the adhesive strength of the mounting sheet. It should not be reused after removal.

**2 Attach the strap (fig. [A]-[C]).**

**Important notice**  
**If this unit becomes detached, a traffic accident may result. To prevent this, use the supplied strap.**

- Mount the clip of the strap on the defroster of your car.  
See "Installation example" (fig. [B]) about the mounting location.
- Place the hoop of the strap over this unit and attach the strap as shown in the fig. [2]-[2].

**Notes**

- After you attach the strap to this unit, pull the strap gently to make sure that the strap is securely attached to this unit.
- Do not forcefully pull this unit after attaching the strap. Doing so may damage your car.

**3 Remove the cover from the suction cup gently.**

**Notes**

- It may be difficult to remove the cover from the suction cup as the adhesive strength of the suction cup is strong.
- Put the cover on the suction cup when you take this unit off the dashboard. If the suction cup becomes dirty or scratched, its adhesive strength will be reduced.

**4 Install this unit on the dashboard.**

**Important notice**  
**Make sure that the surface of the dashboard where you intend to install this unit is clean. Dirty surfaces will make the adhesive strength of the suction cup weak, and may cause unstable installation of this unit.**

**The surface cup may leave a mark on the dashboard, depending on the surface material.**

**5 After installation, make sure that the suction cup is attached to the dashboard securely.**

**Note**  
If you apply the entire suction cup to the dashboard at one time, the suction cup may capture air inside, and the adhesive strength of the suction cup will be weakened.

**Tip**  
The suction cup may contain tiny holes. This can occasionally occur in the production process, and should not cause a malfunction.

**5 Adjust the strap.**  
Adjust the strap length by using the adjuster to take up any slack. Attach the strap to the strap clip.

**6 Attach the smartphone.**

① Slide the lower side of the holder of this unit left and right, to avoid it touching buttons etc. on the side of the smartphone.

② Hold the holder of this unit with your hand. Place the side of the smartphone into the upper side of the holder and push up the upper side of the holder.

③ When the upper side of the holder of this unit gets high enough to attach the smartphone, press the back of the smartphone to the holder. The smartphone is pressed between the upper side and lower side of the holder.

**After installation, make sure that the smartphone is secured and set the smartphone in this unit securely.**

- Notes**
- If the smartphone is not set in this unit securely, the smartphone may come off this unit, and cause a traffic accident and injury.
  - Depending on the model of the smartphone to attach, the smartphone may not be operated properly because of interference with parts, such as the holder and the lateral buttons of the smartphone. In this case, uninstall the smartphone from this unit, and disconnect use.
  - When setting the smartphone vertically, attach the smartphone so its bottom touches the dashboard. (fig. [B]-[A])

**7 Adjust the angle of this unit.**  
You can adjust the angle of this unit as shown in the figure [7]. Do not use force to adjust the angle, as a malfunction or breakage may result.

**To remove the smartphone from this unit (See fig. [C])**

① Use your hands to hold the smartphone and the holder of this unit. Lift the smartphone upward, and push up the upper side of the holder.

② When the upper side of the holder of this unit gets high enough to remove the smartphone, lift the lower side of the smartphone to remove it from the lower side of the holder.

**Notes**

- To prevent the smartphone from dropping, hold both the holder of this unit and the smartphone when removing the smartphone.
- If you use force to remove a smartphone, it may damage this unit and the smartphone. Use the correct steps to remove a smartphone.

**To remove this unit (See fig. [D])**

**Important notice**  
**Remove this unit from the dash board after use. Leaving it on a dashboard may cause damage to the dashboard.**

Remove the smartphone and take the hoop of the strap off this unit before removing this unit.

- Loosen the strap with the adjuster.
- Take the hoop of the strap off this unit.
- Turn the LOCK/RELEASE lever clockwise 90 degrees to unlock.
- Follow the steps below to remove the suction cup as the adhesive strength of the suction cup is strong.

**Pull the tab of this unit for a few seconds in the direction of the arrow marked ○.**

**Notes**

- Pull this unit by its tab when you remove the suction cup from the dashboard.
- Doing any of the following may damage the suction cup.
  - pressing/pulling this unit by its tab in a horizontal direction (○).
  - inserting a hard object (key, blade, finger, etc.) between the suction cup and the dashboard.

**Remove the suction cup slowly.**  
Remove the suction cup slowly (over 3 to 5 seconds) after it begins to come off.

**Note**  
The suction cup may be damaged if it is forcefully removed, or this unit is forced in a horizontal direction while still attached to the dashboard, or on this unit is forced in a horizontal direction before completely removing the suction cup from the dashboard.

- Replace the cover on the suction cup.

**Notes**

- If the temperature of the surface of the dashboard is low, for example, in winter or when used in a cold region, removal of the suction cup may be difficult.
- Put the cover on the suction cup when you take this unit off the dashboard. If the suction cup becomes dirty or scratched, its adhesive strength will be reduced.
- Close the holder when carrying this unit.

**Note on the suction cup of this unit (See fig. [E])**

**If the surface of the suction cup becomes dirty, the attachment strength weakens.**  
**With the supplied sponge, clean the surface periodically.**

- Fold the sponge in half, as shown in the figure [E]-[E].
- Soak the sponge fully in water, then slightly drain off excess water.
- Wipe the dirt off the surface of the suction cup repeatedly in the same direction.

Be sure to wipe gently, to not damage the surface of the suction cup.

- Dry the suction cup completely.  
Use a cool air hair-dryer, or let it dry naturally. Before attaching the suction cup, also clean the attachment surface in your car.

**Notes**

- Do not use any alcohol, detergent, etc.
- Do not let water get into this unit as it may cause malfunction.
- Make sure that the sponge is not so wet as to drip. Otherwise, dirt will be difficult to remove, or the surface of the suction cup may be damaged.
- It takes time for the suction cup to dry completely. Do not use any tissue or towel to wipe off the surface of the suction cup.
- Check periodically if the surface of the suction cup is dirty.

**Tip**  
You can also use a soft, wet lint-free cloth to clean the surface of the suction cup.

**Specifications**

**Dimensions (Approx.)**  
71 mm × 102 mm × 112 mm (2 7/8 in × 4 1/8 in × 4 1/2 in) (w/h/d)

**Suction cup dimensions**  
Approx. ø 65 mm (ø 2 5/8 in)

**Dimensions and weight of compatible smartphones:**  
Width\*: 54 mm ~ 76 mm (2 1/4 in. ~ 3 in.)  
Depth (Thickness)\*: 15 mm (1/2 in.) or less  
\* Check the width and depth (thickness) of your smartphone with the scale on the left side of this unit's package.  
Mass: 250 g (8.8 oz) or less

**Mass**  
Approx. 135 g (4.8 oz)

**Included items**  
Smartphone Car Holder (1), Mounting sheet (1), Strap (1), Cleaning sponge for suction cup (1), Set of printed documentation

Design and specifications are subject to change without notice.

**Svenska**

**Anmärkning för kunder i de länder som följer EU-direktiv**  
Denna produkt har tillverkats av eller på uppdrag av Sony Corporation, 1-7-1 Konan Minato-ku Tokyo, 108-0075 Japan. Frågor som rör produkternas överensstämmelse, grundar sig på Europeiska unionens lagstiftning skall ställas till den auktoriserade representanten, Sony Deutschland GmbH, Hedelfinger Strasse 61, 70327 Stuttgart, Tyskland. För service och garantierändring, vänligen se de adresser som finns i de separata service och garantihandlingarna.

**Försiktighetsmått**

- En förare är förpliktigad att följa trafikregler. Brott mot trafik säkerhetsregler, såsom att strunta i skyllar som "kör sakt" etc., är olagligt, och det kan resultera i en olycka eller personskada.
  - Använd inte smarttelefonen när du kör.
  - Snegla inte på skärmen på smarttelefonen när du kör. Att snegla på navigeringssystemets skärm begränsas av lagen.
  - Lysna på ljud på en volym som gör att du kan höra ljud på utsidan.
  - När röstvägledning hörs, utför inga plötsliga körmanövrer.
  - Under navigeringsvägledning, kör i enlighet med faktiska trafikbestämmler, som till exempel enkelriktad trafik etc.

- Installera enheten säkert med hjälp av de medföljande tillbehörslidarna. Bruk av andra delar än de medföljande delarna kan skada denna enhet eller orsaka att delar lossnar. Det kan resultera i personskada.
- Installera inte enheten på en plats där den exponeras för regn eller vatten, eller på ett ställe som utsätts för hög fuktighet eller damm. Om enheten installeras på en plats som beskrivs ovan kan det orsaka fel.

- Ta inte isär eller modifiera. Om man gör det kan det resultera i en olycka.
- Lämnas inte smarttelefonen fastsatt i denna enhet i bilen. Om smarttelefonen lämnas på en plats som utsätts för direkt solljus, såsom på en instrumentbräda, eller på en het eller fuktig plats, såsom i en bil, kan det leda till att batteriet spricker/läcker, vilket kan orsaka personskada.

- Installera inte enheten på platser där den skulle kunna hindra körningen. Om man gör det kan det orsaka en olycka. Laktag följande.
  - Placera inte sladdar runt delar såsom skruvar etc. eller rörliga delar såsom stolsskenor.

- Se till att tratten, växelspaken, bromspedalen etc. kan användas ordentligt.

- Installera inte enheten på platser där den kan hindra sikten framåt i överensstämmelse med lokala föreskrifter. Om sikten framåt hindras kan det resultera i en olycka eller personskada.

- Installera inte enheten på plats där den kan äventyra krockkuddens funktion. Om enheten installeras på en sådan plats kan det orsaka personskada.

- Använd inte hörlurar när du kör. Om man gör det kan det orsaka en olycka eller personskada.

- Se till att inte droppa vatten eller tappa främmande föremål i smarttelefonen. Om man gör det kan det orsaka fel.

- Sätt fast smarttelefonen ordentligt i denna enhet. Om du inte sätter fast smarttelefonen ordentligt i denna enhet, kan smarttelefonen falla ned vilket kan resultera i en olycka eller personskada. Kontrollera att den sitter säkert efter att ha satt fast den.

- Installera denna enhet ordentligt på en instrumentbräda. Se till att följa anvisningarna i denna bruksanvisning angående hur man handskas med sugkoppen. Om du underlåter att göra det, kan denna enhet falla ned från instrumentbrädan vilket kan resultera i en olycka eller personskada.

- Håll denna enhet utom räckhåll för barn. Om barn sväljer en liten del eller tappar den, kan det resultera i en olycka eller allvarlig personskada.

- Lämnas inte denna enhet på en instrumentbräda. Om den lämnas monterad på en instrumentbräda kan det deformera instrumentbrädan.

- Om enheten lossnar och faller ned under körning, kan en trafikolycka eller personskada inträffa. För att förhindra detta, se till att använda den medföljande remmen.

- Installera denna enhet på en instrumentbräda ordentligt så att enheten inte stör körningen.

- Följ anvisningarna i denna bruksanvisning angående hur man handskas med sugkoppen för att säkert fästa denna enhet på en instrumentbräda. Om du underlåter att göra det, kan sugkoppens vidhäftningshållfasthet försämrats och denna enhet kan falla ned.

- Om denna enhet lossnar, kan det resultera i en trafikolycka. För att förhindra detta, använd den medföljande remmen.

- Ta bort denna enhet från instrumentbrädan och håll den borta från direkt solljus efter användning. Om den lämnas på en instrumentbräda eller i en bil där den kommer att utsättas för hög temperatur kan det orsaka fel, och det kan också skada instrumentbrädan.

- Var noga med att inte stänka vatten på denna enhet. Det kan orsaka fel.
- När sladden ska kopplas loss, dra ut den genom att hålla i kontakten och inte i sladden.

## Lista över delar (se fig. [A])

- Bilhållare för smarttelefon
- Monteringsark
- Rem
- Rengöringsvamp för sugkopp
- Bruksanvisning (deta dokument)

Utförande och specifikationer kan ändras utan föregående meddelande.

## Installation (se fig. [1] - [7])

**Viktigt meddelande (se fig. [B])**  
**Installera denna enhet på en instrumentbräda ordentligt, på ett sätt som inte stöder mot trafikerförlj, tillhörande förordningar och föreskrifter. Se särskilt till att denna enhet och den monterade smarttelefonen inte stör sikten framåt, körningen och krockkuddens funktion.**

**1 Före installation**  
Montera denna enhet på ett område av instrumentbrädan som är jämnt och horisontellt.

**Kontrollera instrumentbrädans material och skick där du avser att installera denna enhet.**  
Se "Hur man fäster monteringsarket" och kontrollera om det medföljande monteringsarket ska användas eller inte.

**Hur man fäster monteringsarket (fig. [A]-[C])**  
**Sugkoppen kanske inte fastnar ordentligt på instrumentbrädan, beroende på instrumentbrädans ytmaterial. Fäst i sådant fall monteringsarket på instrumentbrädan och installera denna enhet på det.**

Infall det gäller följande typer av instrumentbrädor, använd monteringsarket. **Om du inte använder monteringsarket, kanske sugkoppen inte fastnar ordentligt på instrumentbrädan, vilket kan skada eller deformera instrumentbrädan.**

- Mjukt material som lätt kan deformeras med ett finger etc.
- Grov, kornig yta

**Anmärkingar om användning av monteringsarket**

- Välj monteringsplatsen med omsorg. Öva på att sätta på det innan du faktiskt monterar arket, om det behövs. Det kan vara svårt att ta bort monteringsarket från instrumentbrädan då monteringsarket vidhäftningshållfasthet är stark. **Om du tar bort monteringsarket med våld, kan instrumentbrädan deformeras eller skadas.**

- Låt det gå 24 timmar efter att ha klästat på monteringsarket på instrumentbrädan innan denna enhet monteras på det.
- Om monteringsarket tas bort från instrumentbrädan försämrats monteringsarkets vidhäftningshållfasthet. Det ska inte återanvändas efter att ha tagits bort.

**2 Sätt på remmen (fig. [A]-[C]).**

**Viktigt meddelande**  
**Om denna enhet lossnar, kan det resultera i en trafikolycka. För att förhindra detta, använd den medföljande remmen.**

- Montera klämman för remmen på defrostern i bilen.  
Se "Installationsexempel" (fig. [B]) angående monteringsplatsen.
- Placera ringen på remmen över denna enhet och fäst remmen såsom visas i fig. [2]-[2].

**Observera**

- Efter att du har fäst remmen på denna enhet, dra lätt i remmen för att kontrollera att remmen sitter säkert på denna enhet.
- Dra inte med våld i denna enhet efter att ha satt på remmen. Om man gör det kan det skada bilen.

**3 Ta försiktigt bort locket från sugkoppen.**

**Observera**</

