

# Micro HI-FI Component System

GB Operating Instructions



CMT-V10iP

http://www.sony.net/



## WARNING

To reduce the risk of fire, do not cover the ventilation opening of the apparatus with newspapers, tablecloths, curtains, etc. Do not place the naked flame sources such as lighted candles on the apparatus.

To reduce the risk of fire or electric shock, do not expose this apparatus to dripping or splashing, and do not place objects filled with liquids, such as vases, on the apparatus.

Do not install the appliance in a confined space, such as a bookcase or built-in cabinet.

As the main plug of AC adaptor is used to disconnect the AC adaptor from the mains, connect it to an easily accessible AC outlet. Should you notice an abnormality in it, disconnect it from the AC outlet immediately.

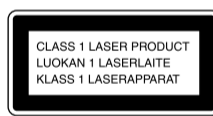
Do not expose batteries or apparatus with battery-installed to excessive heat such as sunshine, fire or the like.

The AC adaptor is not disconnected from the mains as long as it is connected to the AC outlet, even if the main unit itself has been turned off.

The nameplate is located on the bottom exterior of the main unit and on the surface of the AC adaptor.

## CAUTION

The use of optical instruments with this product will increase eye hazard.



This appliance is classified as a CLASS 1 LASER product. This marking is located on the bottom exterior of the main unit.

## Notice for customers: the following information is only applicable to equipment sold in countries applying EU directives.

This product has been manufactured by or on behalf of Sony Corporation, 1-7-1 Konan Minato-ku Tokyo, 108-0075 Japan. Inquiries related to product compliance based on European Union legislation shall be addressed to the authorized representative, Sony Deutschland GmbH, Hedelfinger Strasse 61, 70327 Stuttgart, Germany. For any service or guarantee matters, please refer to the addresses provided in the separate service or guarantee documents.

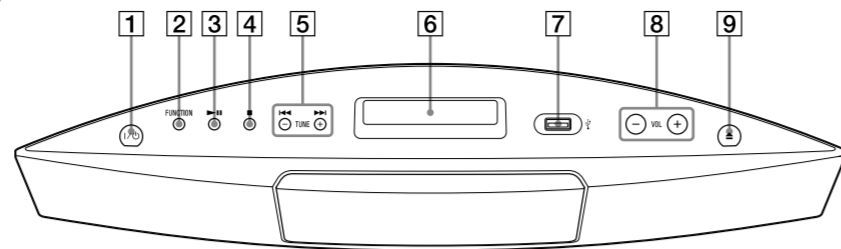
## Disposal of Old Electrical & Electronic Equipment (Applicable in the European Union and other European countries with separate collection systems)

This symbol on the product or on its packaging indicates that this product shall not be treated as household waste. Instead it shall be handed over to the applicable collection point for the recycling of electrical and electronic equipment. By ensuring this product is disposed of correctly, you will help prevent potential negative consequences for the environment and human health, which could otherwise be caused by inappropriate waste handling of this product. The recycling of materials will help to conserve natural resources. For more detailed information about recycling of this product, please contact your local Civic Office, your household waste disposal service or the shop where you purchased the product.

Applicable accessory: Remote commander

## Location of Controls

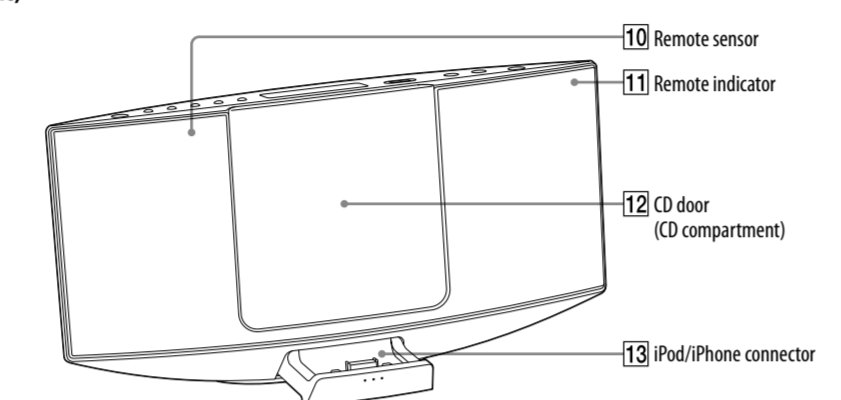
### Unit (Top)



### 6 Display panel

When the system is powered up, the setting status appears on the display panel. When the system goes to Standby mode, the setting status disappears from the display panel.

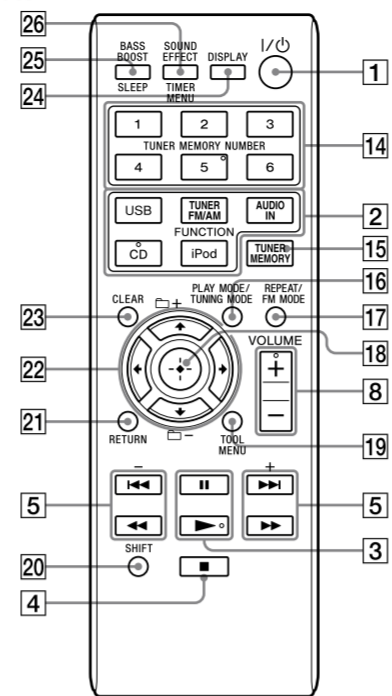
### Unit (Front)



### 11 Remote indicator

Lights in amber when a signal is received from the remote.

### Remote

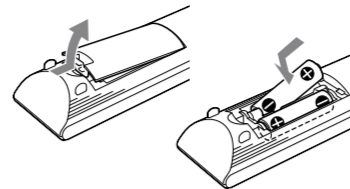


This manual mainly explains operations using the remote, but the same operations can also be performed using the buttons on the unit having the same or similar names.

The SLEEP and TIMER MENU functions indicated in pink on the remote can be activated using SHIFT 20. If you want to operate the SLEEP or TIMER MENU functions, press and hold SHIFT 20 and press SLEEP 25 or TIMER MENU 26 button. If you press either of these buttons without holding SHIFT 20 pressed, the system will activate the BASS BOOST or SOUND EFFECT function.

### To use the remote

Remove the battery compartment lid, and insert the two supplied R6 (size AA) batteries, side first, matching the polarities shown below.



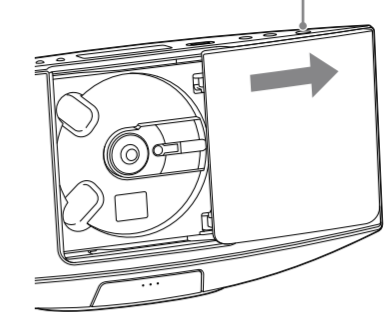
### Notes on using the remote

- With normal use, the batteries should last for about 6 months.
- Do not mix an old battery with a new one or mix different types of batteries.
- If you do not use the remote for a long period of time, remove the batteries to avoid damage from battery leakage and corrosion.

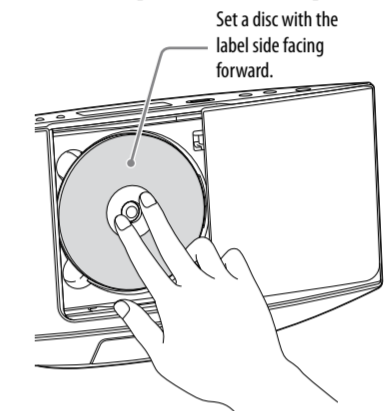
## Operations

### Playing a CD/MP3 disc

- Select the CD function. Press CD FUNCTION 2 on the remote or press FUNCTION 2 on the unit repeatedly.
- Open the CD door. Press (Open/Close) 9 on the unit. (Open/Close) 9



- Set a disc. Push the center part of the disc with two fingers until the disc snaps into its mounted position.



- Close the CD door. Press (Open/Close) 9 on the unit. "READING" appears.
- Start playback. Press (Play) 3 on the remote or press (Play) 3 on the unit.

### To eject a disc

Press (Open/Close) 9 on the unit and remove the disc by pulling up the edge of the disc while holding one finger against the spindle.

### Notes

- The system will automatically close the CD door 12 if a few minutes elapse of no operation with the CD door open.
- Do not set a disc with non-standard shapes (e.g. heart, square, star). The disc may fall into the system and cause irreparable damage.
- If you press I/1 with the CD door open, the system will automatically close the CD door.
- Do not use a disc with tape, seals or paste on it as this may cause a malfunction.
- When you eject a disc, handle the disc by its edge. Do not touch the surface.

### Other operations

To	Press
Pause playback	(Pause) 3 (or (Play) 3) on the unit. To resume play, press the button again.
Stop playback	(Stop) 4.
Select a folder on an MP3 disc	(+/-) 22.
Select a track or file	(Left/Right) 5 / (Play/Pause) 3.
Find a point in a track or file	Hold down (Left/Right) 5 (or (Left/Right) 5) on the unit) during playback, and release the button at the desired point.
Select Repeat Play	REPEAT 17 repeatedly until "G" or "G1" appears.
Eject a disc	(Open/Close) 9 on the unit.

### To change the play mode

Press PLAY MODE 16 repeatedly while the player is stopped. You can select Normal Play mode ("Normal" or "FLDR" for all MP3 files in the folder on the disc), Shuffle Play mode ("SHUF" or "FLDR SHUF" for folder shuffle), or Program Play mode ("PGM"). When playing a CD-DA (audio) disc, FLDR (SHUF) Play performs the same operation as normal (SHUF) Play.

### Notes on Repeat Play

- "G" indicates that all tracks or files will be repeated until you stop playback.
- "G1" indicates that a single track or file will be repeated until you stop playback.

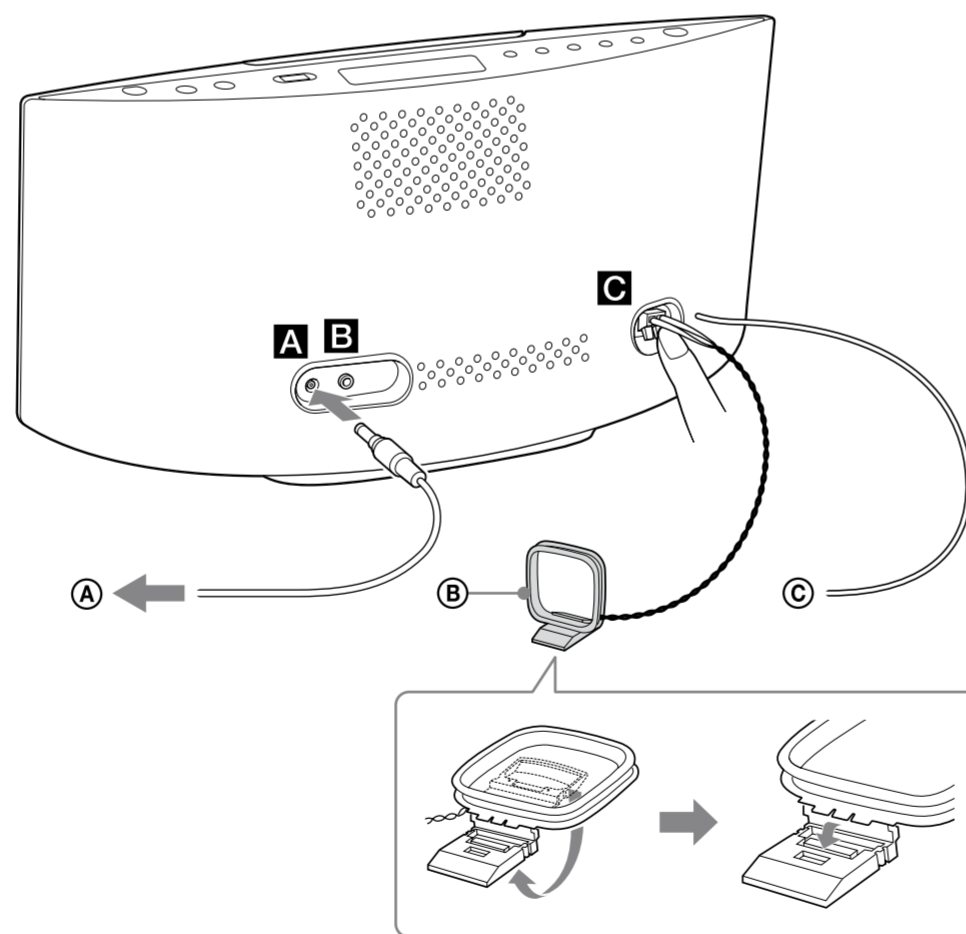
### Notes on Shuffle Play mode

- When Shuffle Play mode is set to "SHUF" the system shuffle-plays all tracks or files on the disc. When Shuffle Play mode is set to "FLDR SHUF" the system shuffle-plays all tracks or files in selected folder.
- When you turn off the system, the selected Shuffle Play mode ("SHUF" or "FLDR SHUF") is cleared and the play mode returns to Normal Play mode ("FLDR").

### Notes on playing MP3 discs

- Do not save other types of tracks or files, or unnecessary folders on a disc that has MP3 files.
- Folders that have no MP3 files are skipped.
- The system can only play MP3 files that have a file extension of ".mp3".
- Even when file name has the ".mp3" file extension, if the actual file differs, playing this file may generate a loud noise which could damage the system may malfunction.
- The maximum number of:
  - 255\* folders (including the root folder)
  - 512 MP3 files
  - 512 MP3 files in a single folder
  - 9 folder levels (in the tree structure of files)

## Getting Started



- A To AC Adaptor
- B AM loop antenna
- C FM lead antenna (Extend it horizontally.)

### A Power (DC IN 9.5 V)

- Connect the AC adaptor to the unit.
- Plug the AC adaptor into a wall outlet.

### B AUDIO IN jack

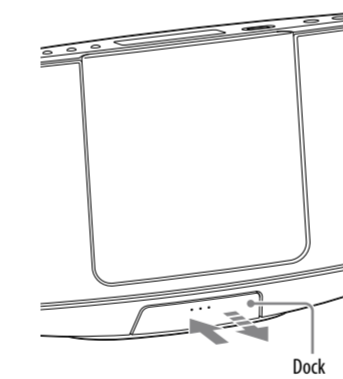
Connect an external audio component.

### C Antennas

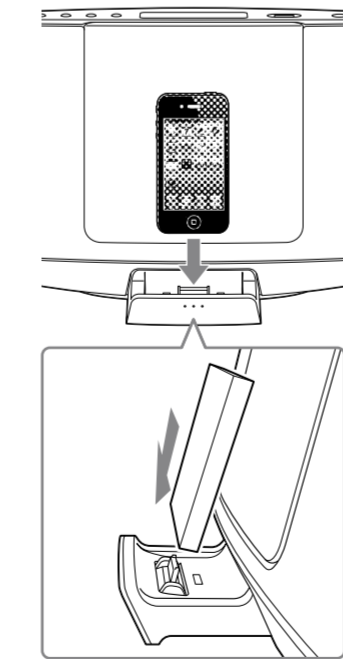
Find a location and an orientation that provide good reception, and then set up the AM antenna. Keep the antenna away from the power cord to avoid picking up noise.

### To use the iPod/iPhone

- Open the dock by pushing the center of the dock.



- Place the iPod/iPhone.



### Setting the clock

- Press I/1 to turn on the system.
- Press and hold SHIFT 20 and TIMER MENU 26 to select the clock set mode. If "PLAY SET" flashes, press +/- 22 repeatedly to select "CLOCK," and then press (enter) 18.
- Press +/- 22 repeatedly to set the hour, then press (enter) 18.
- Use the same procedure to set the minutes.

The clock settings are reset when you disconnect the power cord or if a power failure occurs.

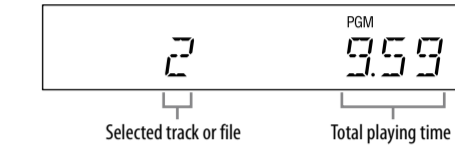
To display the clock when the system is off Press DISPLAY 24. The clock is displayed for about 8 seconds.

\*Compatibility with all MP3 encoding/writing software, recording device, and recording media cannot be guaranteed. Incompatible MP3 discs may produce noise or interrupted audio or may not play at all.

\* This include folders that have no MP3 or other files. The number of folders that the system can recognize may be less than actual number of folders, depending on the folder structure.

## Creating your own program (Program Play)

- Select the CD function. Press CD FUNCTION 2 on the remote or press FUNCTION 2 on the unit repeatedly.
- Select the play mode. Press PLAY MODE 16 repeatedly until "PGM" appears while the player is stopped.
- Select a folder (MP3 disc only). Press (+/-) 22 repeatedly to select the desired folder.
- Select the desired track or file number. Press (Left/Right) 5 repeatedly until the desired track or file number appears.



Total playing time for all the programmed tracks or files, including the selected track or file, is displayed at right on the panel.

- Program the selected track or file. Press (18) to enter the selected track or file. "..." appears when the total playing time exceeds 100 minutes for an CD or when you program MP3 files.
- Repeat steps 3 through 5 to program additional tracks or files, up to a total of 25 tracks or files.
- To play your program of tracks or files, press (Play) 3 (or (Play) 3) on the unit. The program remains available until you remove the disc from the disc compartment 12 or unplug the power cord. To play the same program again, press (Play) 3 (or (Play) 3) on the unit).

### To cancel Program Play

Press PLAY MODE 16 repeatedly until "PGM" disappears while the player is stopped.

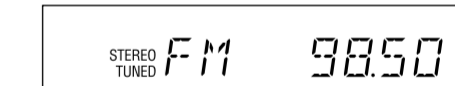
To delete the last track or file of the program Press CLEAR 23 while the player is stopped.

## Listening to the radio

- Select the TUNER function. Press TUNER FM/AM FUNCTION 2 on the remote repeatedly or press FUNCTION 2 on the unit repeatedly.
- Perform tuning.

### For automatic scanning

Press TUNING MODE 16 repeatedly until "AUTO" appears, and then press +/- 5. Scanning stops automatically when a station is tuned in, and "TUNED" and "STEREO" (for stereo programs only) light up in the display.



If "TUNED" does not light up and the scanning does not stop, press (4) to stop scanning, then perform manual tuning (below).

When you tune in a station that provides RDS services, information such as the service name or station name is provided by broadcasts.

### For manual tuning

Press TUNING MODE 16 repeatedly until "MANUAL" appears, and then press +/- 5 repeatedly to tune in the desired station.

Tip To reduce static noise on a weak FM stereo station, press FM MODE 17 repeatedly until "MONO" appears to turn off stereo reception.

## Presetting radio stations

- Tune in the desired station.
- Press TUNER MEMORY 15 to select the tuner memory mode.



- Press +/- 5 or +/- 22 repeatedly to select the desired preset number. If another station is already assigned to the selected preset number, the station is replaced by the new station.
- Press (18) to register the station.
- Repeat steps 1 through 4 to register other stations. You can preset up to 20 FM and 10 AM stations.

**To tune in to a preset radio station**

If you registered a radio station to a preset number 1 to 6, the radio station will be tuned in by just pressing the TUNER MEMORY NUMBER (1 to 6) **[1-6]** when the system function is set to AM or FM.

If you registered a radio station to a preset number 7 or higher, press TUNING MODE **[6]** repeatedly until “PRESET” appears then press +/- **[5]** repeatedly to select the desired preset number.

## Playing the iPod/iPhone

- Select the iPod function.

Press iPod FUNCTION **[2]** on the remote or press FUNCTION **[2]** on the unit repeatedly.
- Place the iPod/iPhone.
- Start playback.

Press ▶**[3]** on the remote or press ▶|| **[3]** on the unit.

To	Press
Pause playback	<span>  </span> <b>[3]</b> / <span>▶</span> <span>  </span> <b>[3]</b> (or <span>▶</span> <span>  </span> <b>[3]</b> on the unit).
Pause	<span>■</span> <b>[4]</b> .
Select a track or chapter of audiobook/podcast	<span>◀</span> <span>▶</span> <span>▶</span> <span>▶</span> <b>[5]</b> . To fast-forward or fast-rewind, hold down the button.
Find a point in a track or chapter of audiobook/podcast	Hold down <span>◀</span> <span>▶</span> <span>▶</span> <span>▶</span> <b>[5]</b> during playback, and release the button at the desired point.
Choose the selected item	<span>⊕</span> <b>[16]</b> .
Scroll up/down the iPod menus	<span>▲</span> / <span>▼</span> <b>[22]</b> .
Return to the previous menu or select a menu	TOOL MENU <b>[19]</b> /RETURN <b>[21]</b> .
Select the Shuffle Play to On or Off	PLAY MODE <b>[16]</b> .
Select Repeat Play	REPEAT <b>[17]</b> repeatedly.

**To use the system as a battery charger**

You can use the system as a battery charger for an iPod/iPhone whether the system is on or off. To see whether charging is operating or not, check the battery icon of the iPod/iPhone display. Check the “iPod/iPhone section” of the “Specifications” for a list of iPod/iPhone models compatible with this system.

**To stop charging an iPod/iPhone**

Remove the iPod/iPhone.

**Note on charging an iPod/iPhone**

When a USB function is selected while the system is on, you cannot charge an iPod/iPhone.

- Notes**
- The performance of the system may be vary, depending on the specifications of your iPod/iPhone.
  - When placing or removing the iPod/iPhone, handle the iPod/iPhone in the same angle as that of the iPod/iPhone connector on the unit and do not twist or sway the iPod/iPhone to prevent connector damage.
  - Do not carry the system with an iPod/iPhone set on the connector. Doing so may cause a malfunction.
  - When placing or removing the iPod/iPhone, brace the system with one hand and take care not to press the controls of the iPod/iPhone by mistake.
  - To use an iPod/iPhone, refer to the user's guide of your iPod/iPhone.
  - Sony cannot accept responsibility in the event that data recorded to iPod/iPhone is lost or damaged when using an iPod/iPhone with this system.

## Playing a file of the USB device

The audio format that can be played back on this system is MP3/WMA\*.

\* Files with DRM (Digital Rights Management) copyright protection or files downloaded from an online music store cannot be played on this system. If you try to play one of these files, the system plays the next unprotected audio file.

Check the websites below for the information about compatible USB devices.

<http://support.sony-europe.com/>

- Select the USB function.

Press USB FUNCTION **[2]** on the remote or press FUNCTION **[2]** on the unit repeatedly.
- Connect the USB device to the ↔ (USB) port **[7]**.
- Start playback.

Press ▶**[3]** on the remote or press ▶|| **[3]** on the unit.

Other operations	To	Press
Pause playback	<span>  </span> <b>[3]</b> (or <span>▶</span> <span>  </span> <b>[3]</b> on the unit).	To resume play, press the button again.
Stop playback	<span>■</span> <b>[4]</b> . To resume play, press <span>▶</span> <b>[3]</b> *1 (or <span>▶</span> <span>  </span> <b>[3]</b> on the unit).	To cancel resume play, press <span>■</span> <b>[4]</b> again*2.
Select a folder	<span>☞</span> +/- <b>[22]</b> repeatedly.	
Select a file	<span>◀</span> <span>▶</span> <span>▶</span> <span>▶</span> <b>[5]</b> / <span>▲</span> / <span>▼</span> <b>[22]</b> .	
Find a point in a file	Hold down <span>◀</span> <span>▶</span> <span>▶</span> <span>▶</span> <b>[5]</b> or <span>▲</span> / <span>▼</span> <b>[22]</b> (or <span>◀</span> <span>▶</span> <span>▶</span> <span>▶</span> <b>[5]</b> ) on the unit) during playback, and release the button at the desired point.	
Select Repeat Play	REPEAT <b>[17]</b> repeatedly until “ <span>↺</span> ” or “ <span>↻</span> ” appears.	

\*1 When playing a VBR MP3/WMA file, the system may resume playback from a different point.

\*2 Resume play returns to the top folder.

**To change the play mode**

Press PLAY MODE **[16]** repeatedly while the player is stopped. You can select Normal Play mode (playback in sequence of all files on the USB device), Folder Play mode (“FLDR” for all files in the specified folder on the USB device), Shuffle Play mode (“SHUF” or “FLDR SHUF” for folder shuffle), or Program Play mode (“PGM”).

**Note on the play mode**

When you turn off the system, the selected Shuffle Play mode (“SHUF”) is cleared and the play mode returns to Normal Play mode.

**Notes on Shuffle Play mode**

- When Shuffle Play mode is set to “SHUF”, the system shuffle-plays all audio files on the USB device. When Shuffle Play mode is set to “FLDR SHUF”, the system shuffle-plays all audio files in selected folder.
- When you turn off the system, the selected Shuffle Play mode (“SHUF” or “FLDR SHUF”) is cleared and the play mode returns to Normal Play mode (“FLDR”).

**Notes on Repeat play**

- If you select “↺” when the system is in Normal Play mode, the system executes repeat play of all audio files in the USB device until you stop playback. If you select “↻” when the system is in Folder Play mode, the system executes repeat play of all audio files in the selected folder until you stop playback.
- If you select “↺!”, the system executes continuous repeat play of the selected file until you stop playback.

**Notes**

- The playback order for the system may differ from the playback order of the connected digital music player.
- Be sure to turn off the system before removing the USB device. Removing the USB device while the system is turned on may corrupt the data on the USB device.
- When USB cable connection is necessary, connect the USB cable supplied with the USB device to be connected. See the operation manual supplied with the USB device to be connected for details on the operation method.
- It may take time before “READING” appears, depending on the type of USB device connected.
- The system does not support a USB hub. Do not connect the USB device through a USB hub.
- When the USB device is inserted, the system reads all the files on the USB device. If there are many folders or files on the USB device, it may take a long time to finish reading the USB device.
- With some connected USB devices, after an operation is performed, there may be a delay before it is performed by this system.
- Compatibility with all encoding/writing software cannot be guaranteed. If audio files on the USB device were originally encoded with incompatible software, those files may produce noise or interrupted sound, or may not be played back at all.
- This system cannot play audio files on the USB device in the following cases:
  - when the total number of audio files in a folder exceeds 999
  - when the total number of audio files on a USB device exceeds 3000
  - when the total number of folders on a USB device exceeds 1000 (including the “ROOT” folder and empty folders)
- These numbers may vary depending on the file and folder structure. Do not save other types of files or unnecessary folders on a USB device that has audio files.
- The system can play back to a depth of 9 folders only (including the “ROOT” folder).
- This system does not necessarily support all the functions provided in a connected USB device.
- Folders that have no audio files are skipped.
- The audio formats that you can listen to with this system are as follows:
  - MP3: file extension “.mp3”
  - WMA: file extension “.wma”

Note that even when file name has the correct file extension, if the actual file differs, the system may produce noise or may malfunction.

- Notes on the display information**
  - When the information includes double-byte characters, each double-byte character will occupy 2 bytes
  - Characters that cannot be displayed appear as “\_”
  - The following are not displayed:
    - total playing time for an MP3 disc and a USB device
    - total remaining playing time for an MP3 disc and a USB device
    - remaining playing time for an MP3 file on MP3 disc or a MP3/WMA file in USB device
  - The following are not displayed correctly:
    - elapsd playing time of an MP3 file encoded using VBR (variable bit rate)
    - folder and file names that do not follow either the ISO9660 Level 1, Level 2, or Joliet in the expansion format
  - The following are displayed:
    - total playing time for a CD-DA disc (except when PGM mode is selected and the player is stopped)
    - remaining playing time for a track of CD-DA disc
    - remaining playing time for a CD-DA disc (only when Normal Play mode is selected during playback)
    - ID3 tag information for MP3 files when ID3 version 1 and version 2 tags are used (ID3 version 2 tag information display has priority when both ID3 version 1 and version 2 tags are used for a single MP3 file)
    - up to 64 characters for an ID3 tag, where characters allowed are uppercase letters (A to Z), lowercase letters (a to z) (lowercase will be displayed as uppercase), digits (0 to 9), and symbols (“\$%’() \* + , - ./ < > ? @ [ \ ] ’ ”

- To use the system as a battery charger**
  - You can use the system as a battery charger for USB devices that have a recharge function when the system is on.
- Charging begins when the USB device is connected to a ↔ (USB) port **[7]** with no iPod/iPhone connected. The charging status appears on the USB device display. For details, see the user’s guide for your USB device.

When an iPod/iPhone is connected, press USB FUNCTION **[2]** on the remote or press FUNCTION **[2]** on the unit repeatedly to select the USB function.

**To stop charging the USB device**
Remove the USB device.

**Notes on charging the USB device**

- You cannot charge an iPod/iPhone and a USB device at the same time. To charge a USB device with an iPod/iPhone connected, select the USB function. When no iPod/iPhone is connected, you can charge a USB device using any function other than the iPod function.
- You cannot charge a USB device when the system is off.

## Using optional audio components

- Prepare the sound source.

Connect additional audio component to the AUDIO IN jack **[3]** on the unit using an audio analog cord (not supplied).
- Turn down the volume.

Press VOLUME − **[8]**.
- Select the AUDIO IN function.

Press AUDIO IN FUNCTION **[2]** on the remote or press FUNCTION **[2]** on the unit repeatedly.
- Start playback.

Start playback of the connected component and adjust the volume.

**Note**

The system may enter Standby mode automatically if the volume level of the connected component is too low. Adjust the component's volume accordingly. See “To turn off the Automatic Standby function.”

## Adjusting the sound

To	Press
Adjust the volume	VOLUME +/- <b>[8]</b> .
Generate a more dynamic sound	BASS BOOST <b>[26]</b> .
Set the sound effect	SOUND EFFECT <b>[26]</b> repeatedly until desired sound effect is displayed.
	Each time you press this button, sound effects are displayed in the order “ROCK” → “POP” → “JAZZ” → “FLAT.”

When you turn off the system, the selected effect is canceled.

## Changing the display

To	Press
Change information on the display <sup>1)</sup>	DISPLAY <b>[24]</b> repeatedly when the system is on.
Change Display mode (see below.)	DISPLAY <b>[24]</b> repeatedly when the system is off.

<sup>1)</sup> For example, you can view CD/MP3 disc information or the USB device information, such as:

- CD-DA disc**
  - remaining playing time of a track during playback
  - total remaining playing time

<b>MP3 disc/USB device</b>
— track or file name (“ <span>♪</span> ”)
— artist name (“ <span>♪</span> ”)
— album name (“ <span>♪</span> ”)

The system offers the following display modes.

<b>Display mode</b>	<b>When the system is off</b>
Power Saving mode <sup>1)</sup>	The display is turned off to conserve power. The timer and clock continue to operate.

<b>Clock</b> <sup>2)</sup>	The clock is displayed.
----------------------------	-------------------------

<sup>1)</sup> You cannot set the clock in Power Saving mode.
<sup>2)</sup> The clock display automatically turns to Power Saving mode after 8 seconds.

- Notes on the display information**
  - When the information includes double-byte characters, each double-byte character will occupy 2 bytes
  - Characters that cannot be displayed appear as “\_”
  - The following are not displayed:
    - total playing time for an MP3 disc and a USB device
    - total remaining playing time for an MP3 disc and a USB device
    - remaining playing time for an MP3 file on MP3 disc or a MP3/WMA file in USB device
  - The following are not displayed correctly:
    - elapsd playing time of an MP3 file encoded using VBR (variable bit rate)
    - folder and file names that do not follow either the ISO9660 Level 1, Level 2, or Joliet in the expansion format
  - The following are displayed:
    - total playing time for a CD-DA disc (except when PGM mode is selected and the player is stopped)
    - remaining playing time for a track of CD-DA disc
    - remaining playing time for a CD-DA disc (only when Normal Play mode is selected during playback)
    - ID3 tag information for MP3 files when ID3 version 1 and version 2 tags are used (ID3 version 2 tag information display has priority when both ID3 version 1 and version 2 tags are used for a single MP3 file)
    - up to 64 characters for an ID3 tag, where characters allowed are uppercase letters (A to Z), lowercase letters (a to z) (lowercase will be displayed as uppercase), digits (0 to 9), and symbols (“\$%’() \* + , - ./ < > ? @ [ \ ] ’ ”

## Using the timers

The system offers 2 timer functions. If you use both timers, the Sleep Timer has priority.

**Sleep Timer:**

You can fall asleep to music. This function works even if the clock is not set. Press and hold SHIFT **[20]** and press SLEEP **[25]** repeatedly. With each press of SLEEP **[25]** with SHIFT **[20]** held pressed, the setting time is decreased by 10 minutes from a maximum of 90 minutes to minimum of 10 minutes. To cancel the Sleep Timer, select “OFF”

**Play Timer:**

You can wake up to CD, FM/AM reception, iPod/iPhone or USB device at a preset time. Make sure you have set the clock.

- Prepare the sound source.

Prepare the sound source, and then press VOLUME +/- **[8]** to adjust the volume. You can set the CD, iPod, USB, FM, or AM function as the sound source. To start from a specific CD track, audio file, and radio station create your own program.
- Select the timer set mode.

Press and hold SHIFT **[20]** and TIMER MENU **[26]**.
- Set the play timer.

Press ▲/▼ **[22]** repeatedly to select “PLAY SET,” then press ⊕ **[18]**.
- Set the time to start playback.

Press ▲/▼ **[22]** repeatedly to set the hour, then press ⊕ **[18]**. Use the procedure above to set the minutes.
- Use the same procedure as in step 4 to set the time to stop playback.
- Select the sound source.

Press ▲/▼ **[22]** repeatedly until the desired sound source appears, then press ⊕ **[18]**.
- Turn off the system.

Press I/⊕ **[1]**. The system automatically turns on before the preset time.

If the system is on at the preset time, the Play Timer will not play. Do not operate the system from the time the system turns on until the playback starts.

If the sound source is set to an FM/AM station for a timer, the system automatically turns on 15 seconds before the preset time. If the sound source is set to CD/USB, the system automatically turns on 30 seconds before the preset time. If the sound source is set to iPod/iPhone, the system automatically turns on 30 seconds before the preset time.

**To check the setting**

- Press and hold SHIFT **[20]** and TIMER MENU **[26]**.
- Press ▲/▼ **[22]** repeatedly to select “SELECT,” and then press ⊕ **[18]**.
- Press ▲/▼ **[22]** repeatedly to select “PLAY SEL,” and then press ⊕ **[18]**.

**To cancel the timer**

Repeat the same procedure as above until “OFF” appears in step 3, and then press ⊕ **[18]**.

**To change the setting**

Start over from step 1.

**Notes**

•If you select a USB device as a timer and have many files or folders on that device, it takes time for read processing, causing a slight delay before start of play in response to the timer.

•If the sound source for a Play Timer is set to an FM/AM station tuned in using auto scanning or manual scanning, when you change the radio station after setting the Play Timer, radio station tuning for the Play Timer will also be changed.

•If the sound source for a Play Timer is set to an FM/AM station with a registered preset number, the radio station tuning for the Play Timer is fixed at what you set for it. Even if you change the radio station after setting the Play Timer, the radio station setting for the Play Timer will not change.

**Notes for the iPod/iPhone user**

- Make sure the iPod/iPhone is not playing when using the Play Timer.
- The Play Timer may not be activated depending on the status of the connected iPod/iPhone.

**Tip**

The Play Timer setting remains in effect as long as the setting is not canceled manually and clock setting is completed.

# Troubleshooting

- Make sure the power cord is firmly connected.
- Find your problem in the checklist below, and take the indicated corrective action.

If the issue persists, contact your nearest Sony dealer.

### General

**The system does not turn on.**

- Is the power cord plugged in correctly?

**The system has entered Standby mode unexpectedly.**

- This is not a malfunction. The system enters Standby mode automatically in about 30 minutes when there is no operation or audio signal output. See “To turn off the Automatic Standby function.”

**The clock setting or the Play Timer operation has been cancelled unexpectedly.**

- If about a minute elapses with no operation, the clock setting or Play Timer setting is cancelled automatically. Perform the operation again from the beginning.

**There is no sound.**

- Press VOLUME + **[8]** to turn up the volume.
- Make sure additional audio components are connected correctly.
- Make sure the function is set to AUDIO IN.
- Is anything blocking the ventilation holes of the system?
- The specified station may have temporarily stopped broadcast.

**Severe hum or noise.**

- Move the system away from sources of noise.
- Connect the system to a different wall outlet.
- Install a noise filter (not supplied) to the power cord.

**The remote does not function.**

- Remove any obstacles between the remote and the remote sensor **[10]** on the unit, and position the unit away from fluorescent lights.
- Point the remote at the system's sensor **[10]**.
- Move the remote closer to the system.

### CD/MP3 disc

**The sound skips, or the disc will not play.**

- Wipe the disc clean, and replace it.
- Move the system to a location away from vibration (for example, on top of a stable stand).

**Play does not start from the first track.**

- Return to normal play by pressing PLAY MODE **[16]** repeatedly until both “PGM” and “SHUF” disappear.

**Starting playback takes more time than usual.**

- The following discs can increase the time it takes to start playback:
  - a disc recorded with a complicated tree structure
  - a disc that has many folders

**Erroneous display.**

- The data stored in the CD-DA, MP3 disc may have been corrupted. Perform the transfer again.
- The character codes that can be displayed by this system are as follows:
  - Uppercase (A to Z)
  - Lowercase (a to z) (lowercase will be displayed as uppercase)
  - Digits (0 to 9)
  - Symbols (“\$%’() \* + , - ./ < > ? @ [ \ ] ’ ”
  - Other characters appear as “\_”

### iPod/iPhone

**There is no sound.**

- Make sure the iPod/iPhone is connected securely.
- Make sure the iPod/iPhone is playing music.
- Make sure the iPod/iPhone is updated with the latest software. If not, update the iPod/iPhone before using with the system.
- Adjust the volume.

**The sound is distorted.**

- Make sure the iPod/iPhone is connected securely.
- Turn down the volume.
- Set the “EQ” setting of the iPod/iPhone to “Off” or “Flat.”

**The iPod/iPhone does not function.**

- Shut down any other iOS applications running on the iPod/iPhone. For details, refer to the operation manual supplied with the iPod/iPhone.
- Make sure the iPod/iPhone is connected securely.
- Make sure the iPod/iPhone is updated with the latest software. If not, update the iPod/iPhone before using with the system.
- Because the operation of the system and the iPod/iPhone are different, you may not operate the iPod/iPhone using buttons on the remote or unit. In this case, use the control buttons on the iPod/iPhone.

**The iPod/iPhone cannot be charged.**

- Make sure the iPod/iPhone is connected securely.
- Make sure the system is not in USB function. An iPod/iPhone cannot be charged in USB function.
- You cannot charge the iPod/iPhone even if you connect the USB cable supplied with your iPod/iPhone to the USB connector on the system.

**The ring volume of the iPhone does not change.**

- Adjust the ring volume on the iPhone.

### USB device

**The connected iPod/iPhone or USB device is not being charged, when both are connected at the same time.**

- You cannot charge an iPod/iPhone and the USB device at the same time. Select the USB function to charge a USB device.

**Are you using a supported USB device?**

- If you connect an unsupported USB device, the following problems may occur. Check the information on the websites about compatible USB devices with URLs listed under “Playing a file of the USB device.”
  - The USB device is not recognized
  - File or folder names are not displayed on this system
  - Playback is not possible
  - The sound skips
  - There is noise
  - A distorted sound is output

- The USB device is not connected correctly. Turn off the system and reconnect the USB device.
- There is noise, skipping, or distorted sound.
  - You are using an unsupported USB device. Check the information on the websites about compatible USB devices.
- Turn off the system and reconnect the USB device, then turn on the system.
- The music data itself contains noise, or the sound is distorted. Noise may have entered during the transferring process. Delete the file, and try transferring again.

- The bit rate used when encoding audio files was low. Send audio files with higher bit rate to the USB device.

**There is noise, skipping, or distorted sound.**

- You are using an unsupported USB device. Check the information on the websites about compatible USB devices.

- Turn off the system and reconnect the USB device, then turn on the system.
- The music data itself contains noise, or the sound is distorted. Noise may have entered during the transferring process. Delete the file, and try transferring again.

- The bit rate used when encoding audio files was low. Send audio files with higher bit rate to the USB device.

- WMA files in Windows Media Audio Lossless and Professional format cannot be played back.

- USB device formatted with file systems other than FAT16 or FAT32 are unsupported.\*

- In case multiple partitions exist in USB device that is being used, files may not be played back.
- The system can play back to a depth of 9 folders only.
- Files that are encrypted or protected by passwords, etc. cannot be played back.
- Files with copyright protection (Digital Rights Management) cannot be played back by this system.
  - \* This system supports FAT16 and FAT32, but some USB device may not support all of these FAT. For details, refer to the operating instructions of each USB device or contact the manufacturer.

### Tuner

**Severe hum or noise, or stations cannot be received. (“TUNED” or “STEREO” flashes on the display.)**

- Connect the antenna properly.
- Find a location and an orientation that provide good reception, and then set up the antenna again.
- Keep the antennas away from the power cord to avoid picking up noise.
- Turn off nearby electrical equipment.