

# SONY

## Micro Satellite Speaker System

# SA-VE345

4-244-848-12(1)

English

## Owner's Record

The model and serial numbers are located on the rear of the unit. Record the serial number in the space provided below. Refer to them whenever you call upon your Sony dealer regarding this product.

Model No. SA-VE345

Serial No. \_\_\_\_\_

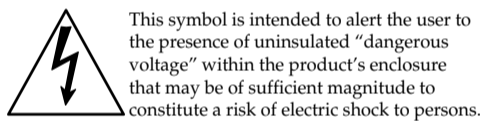
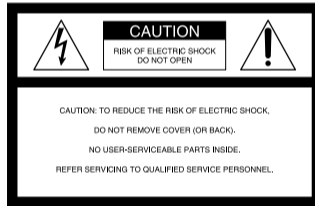
## WARNING

**To prevent fire or shock hazard, do not expose the unit to rain or moisture.**

To prevent fire, do not cover the ventilation of the apparatus with news papers, table-cloths, curtains, etc. And don't place lighted candles on the apparatus. To prevent fire or shock hazard, do not place objects filled with liquids, such as vases, on the apparatus. To avoid electrical shock, do not open the cabinet. Refer servicing to qualified personnel only.

Do not install the appliance in a confined space, such as a bookcase or built-in cabinet.

## NOTICE FOR THE CUSTOMERS IN THE USA



This symbol is intended to alert the user to the presence of uninsulated "dangerous voltage" within the product's enclosure that may be of sufficient magnitude to constitute a risk of electric shock to persons.

This symbol is intended to alert the user to the presence of important operating and maintenance (servicing) instructions in the literature accompanying the appliance.

## CAUTION

You are cautioned that any changes or modification not expressly approved in this manual could void your authority to operate this equipment.

## Note to CATV system installer:

This reminder is provided to call CATV system installer's attention to Article 820-40 of the NEC that provides guidelines for proper grounding and, in particular, specifies that the cable ground shall be connected to the grounding system of the building, as close to the point of cable entry as practical.

## CAUTION

Use of this appliance with some systems may present a shock or fire hazard. Do not use with any units which have the following marking located near output. WARNING: HAZARDOUS ENERGY!

## NOTICE FOR THE CUSTOMERS IN CANADA

## CAUTION

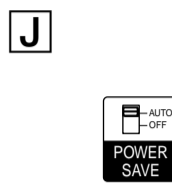
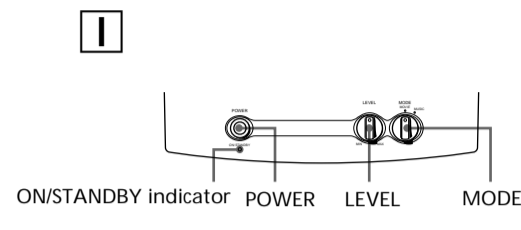
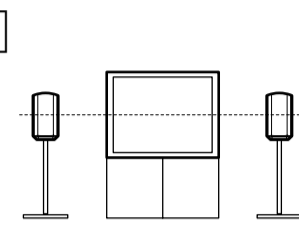
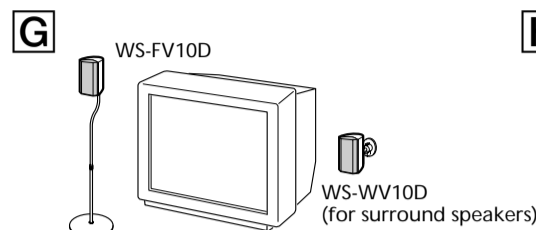
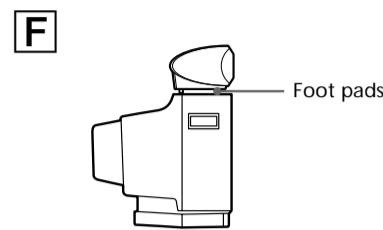
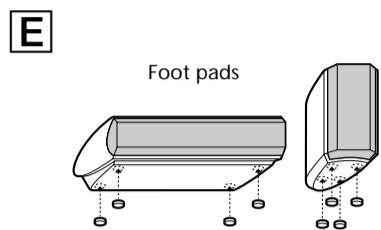
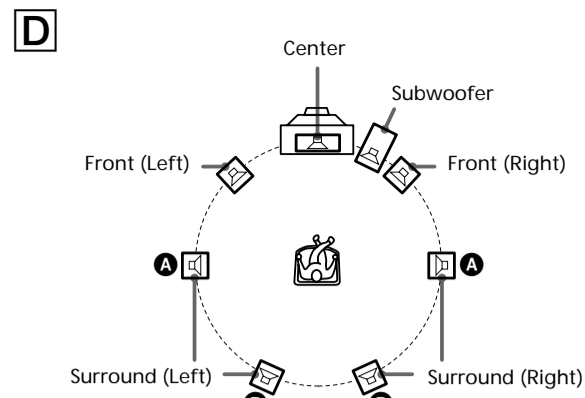
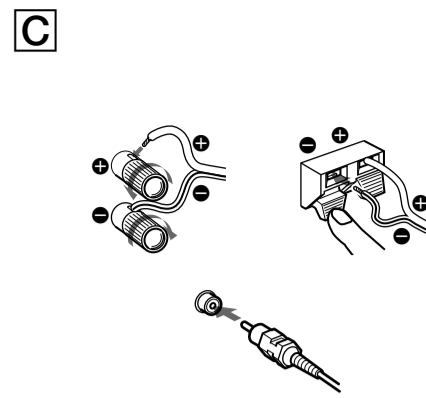
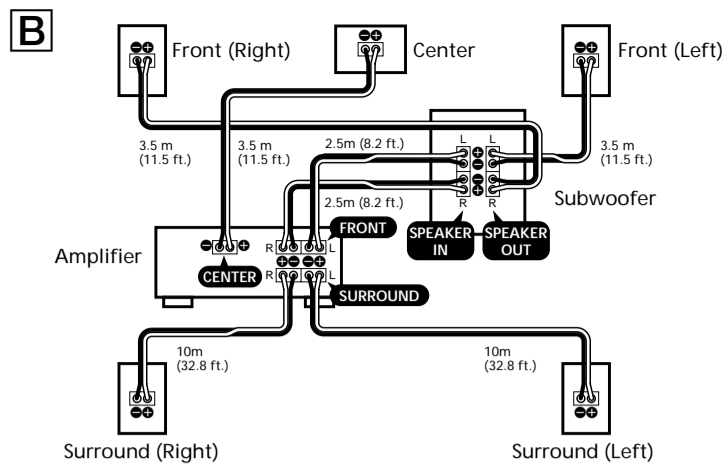
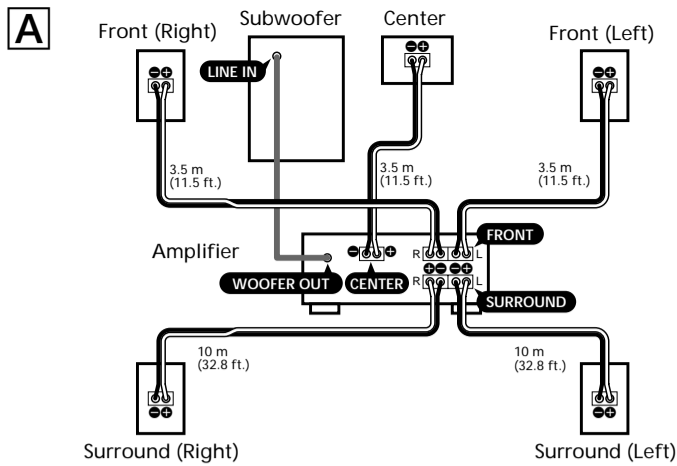
TO PREVENT ELECTRIC SHOCK, DO NOT USE THIS POLARIZED AC PLUG WITH AN EXTENSION CORD, RECEPTACLE OR OTHER OUTLET UNLESS THE BLADES CAN BE FULLY INSERTED TO PREVENT BLADE EXPOSURE.

ENERGY STAR® is a U.S. registered mark. As ENERGY STAR® Partner, Sony Corporation has determined that this product meets the ENERGY STAR® guidelines for energy efficiency.

## On cleaning

Clean the speaker cabinets with a soft cloth lightly moistened with a mild detergent solution or water. Do not use any type of abrasive pad, scouring powder or solvent such as alcohol or benzene.

If you have any questions or problems concerning your speaker system, please consult your nearest Sony dealer.



## About this manual

The SA-VE345 is a 5.1 channel speaker system consisting of two front speakers, two surround speakers, one center speaker, and one subwoofer. It supports Sony Digital Cinema Sound, Dolby® Pro Logic, and Dolby Digital etc., and is thus geared towards the enjoyment of movies.

\* "Dolby" and the double-D symbol are trademarks of Dolby Laboratories.

## Precautions

### On safety

- Before operating the system, be sure that the operating voltage of the system is identical with that of your local power supply.
- The unit is not disconnected from the AC power source (mains) as long as it is connected to the wall outlet, even if the unit itself has been turned off.
- Unplug the system from the wall outlet if it is not to be used for an extended period of time. To disconnect the cord, pull the cord by grasping the plug. Never pull the cord itself.
- Should any liquid or solid object fall into the system, unplug the system's power cord and have the system checked by qualified personnel before operating it any further.
- AC power cord must be changed only at the qualified service shop.

### On operation

- Do not drive the speaker system with a continuous wattage exceeding the maximum input power of the system.
- If the polarity of the speaker connections are not correct, the bass tones will be weak and the position of the various instruments obscure.
- Contact between bare speaker wires at the speaker terminals may result in a short-circuit.
- Before connecting, turn off the amplifier to avoid damaging the speaker system.
- The speaker grille cannot be removed. Do not attempt to remove the grille on the speaker system. If you try to remove it, you may damage the speaker.
- The volume level should not be turned up to the point of distortion.**

### If you encounter color irregularity on a nearby TV screen

This speaker system is magnetically shielded to allow it to be installed near a TV set. However, color irregularities may still be observed on certain types of TV sets.

### If color irregularity is observed...

- Turn off the TV set, then turn it on again after 15 to 30 minutes.

### If color irregularity is observed again...

- Place the speakers further away from the TV set.

### If howling occurs

Reposition the speakers or turn down the volume on the amplifier.

### On placement

- Do not set the speakers in an inclined position.
- Do not place the speakers in locations that are:
  - Extremely hot or cold
  - Dusty or dirty
  - Very humid
  - Subject to vibrations
  - Subject to direct sunlight
- Use caution when placing the speaker on a specially treated (waxed, oiled, polished, etc.) floor, as staining or discoloration may result.

### On cleaning

Clean the speaker cabinets with a soft cloth lightly moistened with a mild detergent solution or water. Do not use any type of abrasive pad, scouring powder or solvent such as alcohol or benzene.

If you have any questions or problems concerning your speaker system, please consult your nearest Sony dealer.

## Hooking up the system

Connect the speaker system to the speaker output terminals of an amplifier. Make sure power to all components (included the subwoofer) is turned off before starting the hook-up.

### Hookup **A**

Usually, connect by this method. This configuration is used when the amplifier is connected to a DVD player, LD player, VCR or other video devices.

### Hookup **B**

Try this configuration instead of "Hookup **A**" when there are no jacks on the amplifier for a subwoofer. An optional specified speaker cord (2.5 m x 2)(8.2 ft. x 2) is necessary when connecting this way.

### Notes **(C)**

- Make sure the plus (+) and the minus (-) terminals on the speakers are matched to the corresponding plus (+) and minus (-) terminals on the amplifier.
- Be sure to tighten the screws of the speaker terminals securely as loose screws may become a source of noise.
- Make sure all connections are firm. Contact between bare speaker wires at the speaker terminals may cause a short-circuit.
- For details regarding the connections on the amplifier side, refer to the manual that was provided with your amplifier.

### Tip

Black or black striped wires are minus (-) in polarity, and should be connected to the minus (-) speaker terminals.

## Positioning the speakers

### Location of each speaker **(D)**

Each speaker should face the listening position. Better surround effect will result if all speakers are set at the same distance from the listening position. Place the front speakers at a suitable distance to the left and right of the television. Place the subwoofer on either side of the television. Place the center speaker on the top-center of the TV set. The placement of surround speakers greatly depends on the configuration of the room. The surround speakers may be placed on both sides of the listening position **A** or behind the listening position **B**.

### Setting the speakers **(E)**

To prevent speaker vibration or movement while listening, attach the supplied foot pads to the bottom four corners of the center speaker, front speakers, and surround speakers **(E)**.

### Setting the center speaker **(F)**

Set the center speaker firmly on top of the TV set, making sure it is completely level.

### Setting other speakers **(G)**

For greater flexibility in the positioning of the speakers, use the optional WS-FV10D or WS-WV10D speaker stand (available only in certain countries).

### Tip

The height of the front speakers should be adjusted to about the center of the TV screen **(H)**.

## Setting the amplifier

When connecting to an amplifier with internal multi channel decoders (Dolby Digital, DTS®, etc.), you should use the setup menus for the amplifier to specify the parameters of your speaker system. See the table below for the proper settings. For details on the setting procedure, refer to the manual that was provided with your amplifier.

### When "Hookup **A**" is used (Speaker setup)

For	Set to
Front speakers	SMALL
Center speaker	SMALL
Surround speakers	SMALL
Subwoofer	ON (or YES)

### When "Hookup **B**" is used (Speaker setup)

For	Set to
Front speakers	LARGE
Center speaker	SMALL
Surround speakers	SMALL
Subwoofer	OFF (or NO)

If you use the amplifier with adjustable crossover frequency, it is recommended to select 150 Hz (or close to this figure) as the crossover frequency for your front, center, and surround speakers.

\*\* "DTS" and "DTS Digital Surround" are registered trademarks of Digital Theater Systems, Inc.

## Listening to the sound **(I)**

First, turn down the volume on the amplifier. The volume should be set to minimum before you begin playing the program source.

- Turn on the amplifier and select the program source.
- Press POWER on the subwoofer. The ON/STANDBY indicator on the subwoofer lights up green.
- Play the program source.

### Power turns on and off automatically — Auto power on/off function **(J)**

When the subwoofer is on (i.e. the ON/STANDBY indicator lights up green) and there is no signal input for a few minutes, the ON/STANDBY indicator changes to red and the subwoofer enters power saving mode. While in this mode a signal is input to the subwoofer, the subwoofer automatically turns on (auto power on/off function). To turn this feature off, slide the POWER SAVE switch on the rear panel to OFF.

### Note

If you turn down the volume level of the amplifier too low, the auto power on/off function may activate, causing the subwoofer to enter power saving mode.

## Adjusting the subwoofer **(I)**

- Set MODE according to the program source as follows:

Source	MODE
DVD, LD, video cassette or other video source	MOVIE
MD, CD, cassette tape or other audio source	MUSIC

- Rotate LEVEL to adjust the volume. Set the volume level to best suit your preference according to the program source.

### Notes

- Some amplifier functions for enhancing the sound may cause distortion in the subwoofer. If such distortion occurs, turn off those functions.
- To enjoy high-quality sound, do not turn the subwoofer volume too high.
- The bass sound is enhanced in MOVIE mode rather than in MUSIC mode. Therefore, if you change the mode to MOVIE while listening to some sources that do not include the bass sound, you may not be able to get the effect.

## Troubleshooting

Should you encounter a problem with your speaker system, check the following list and take the indicated measures. If the problem persists, consult your nearest Sony dealer.

### There is no sound from the speaker system.

- Make sure all the connections have been correctly made.
- Make sure the volume on the amplifier has been turned up properly.
- Make sure the program source selector on the amplifier is set to the proper source.
- Check if headphones are connected. If they are, disconnect them.

### There is distortion in the subwoofer sound output.

- Check if any sound-enhancing functions have been activated on the amplifier. If they have, turn them off.

### There is hum or noise in the speaker output.

- Make sure all the connections have been correctly made.
- Make sure none of the audio components are positioned too close to the TV set.

### The sound has suddenly stopped.

- Make sure all the connections have been correctly made. Contact between bare speaker wires at the speaker terminals may cause a short-circuit.

## Specifications

### SA-VE345

#### For the U.S. model

**AUDIO POWER SPECIFICATIONS**  
POWER OUTPUT AND TOTAL HARMONIC DISTORTION:  
with 8 ohm loads, from 20 - 200 Hz; rated 120 watts per channel minimum RMS power, with no more than 0.8% total harmonic distortion from 250 milliwatts to rated output.

### SS-V345 (front and surround speakers)

Speaker system	Full range, magnetically shielded
Speaker units	5.5 x 11 cm (2 1/4 x 4 3/8 in.), cone type
Enclosure type	Bass reflex
Rated impedance	8 ohms
Power handling capacity	110 watts
Maximum input power:	85 dB (1 W, 1 m)
Sensitivity level	120 Hz - 20,000 Hz
Frequency range	Approx. 85 x 152 x 112 mm (3 3/8 x 6 x 4 1/2 in.), including front grille
Dimensions (w/h/d)	Approx. 850 g (1 lb 14 oz) each

### SS-CN345 (center speaker)

Speaker system	Full range, magnetically shielded
Speaker units	5.5 x 11 cm (2 1/4 x 4 3/8 in.), cone type
Enclosure type	Bass reflex
Rated impedance	8 ohms
Power handling capacity	110 watts
Maximum input power:	85 dB (1 W, 1 m)
Sensitivity level	90 Hz - 20,000 Hz
Frequency range	Approx. 300 x 81 x 122 mm (11 7/8 x 3 1/4 x 4 7/8 in.), including front grille
Dimensions (w/h/d)	Approx. 1,100 g (2 lb 7 oz)

### SA-WMS345 (subwoofer)

Speaker system	Active subwoofer, magnetically shielded
Speaker unit	Woofer: 20 cm (8 in.), cone type
Enclosure type	Advanced SAW type
Reproduction frequency range	26 Hz - 200 Hz
Amplifier section	
Continuous RMS power output	120 W (8 ohms, 20 Hz - 20 kHz, 0.8% THD)

### Inputs

LINE IN (input pin jack)  
SPEAKER IN (input terminals)

### Outputs

SPEAKER OUT (output terminals)

### General

Power requirements	120 V AC, 60 Hz
Power consumptions	90 W
	1 W (standby mode)
Dimensions (w/h/d)	Approx. 230 x 392 x 464 mm (9 1/8 x 15 1/2 x 18 3/4 in.), including front grille
Mass	Approx. 13.2 kg (29 lb 2 oz)

### Supplied accessories

- Foot pads (20)
- Audio connecting cord (1)
- Speaker connecting cords, 10 m (32.8 ft) (2)
- Speaker connecting cords, 3.5 m (11.5 ft) (3)

Design and specifications are subject to change without notice.

