

Speaker Stand

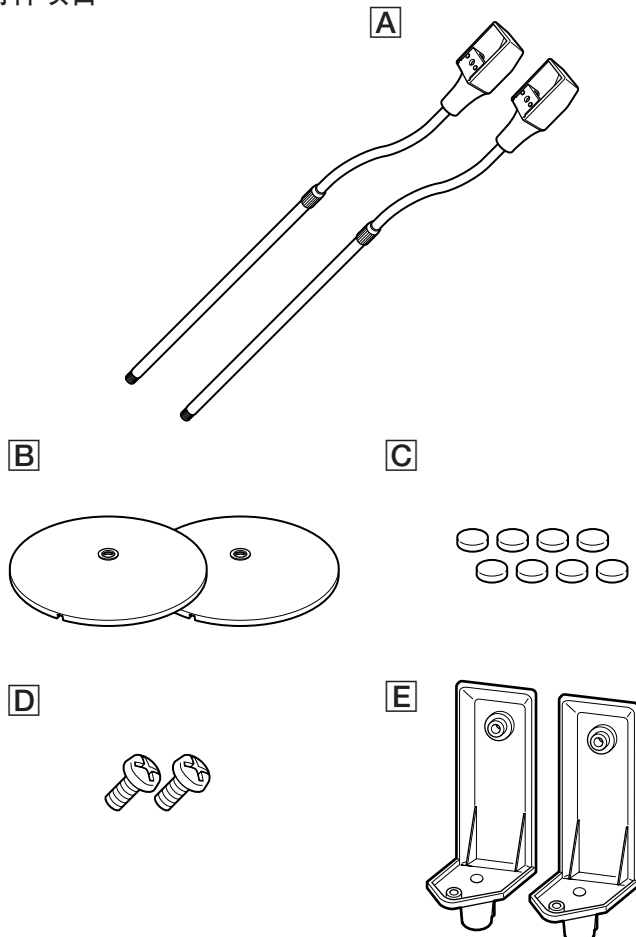
Operating Instructions
使用说明书

WS-FV10A

Sony Corporation © 2001 Printed in China

Supplied Items

附件项目



Precautions

On safety

- Recommended for use with the Sony small speaker system.
- Be sure to place the speaker stand in a flat, horizontal place.

注意事项

安全须知

- 建议用于 Sony 小型扬声器系统。
- 扬声器架必须放在平坦，水平的表面上。

Specifications

Dimensions

Approx. 235 × 810 to 1,170 mm (dia./h)

Mass Approx. 3.1 kg

Design and specifications are subject to change without notice.

规格

尺寸 大约直径 235×810 至 1,170 mm

质量 大约 3.1 kg

设计与规格有所变更时，恕不另行奉告。

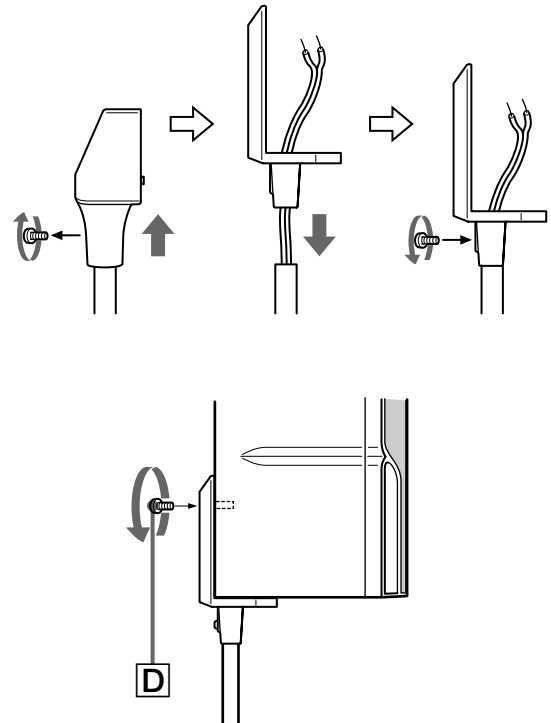
Assembly of the parts E

Depending on the type of speakers, the mounts originally attached to the stands need to be replaced with either E. The speaker models that require the mount replacements are described in the following illustrations.

零件 E 组装

根据扬声器型号不同，原先装在支柱上的固定件需要用 E 替代。要求固定件更换的扬声器模型在下面图例中阐述。

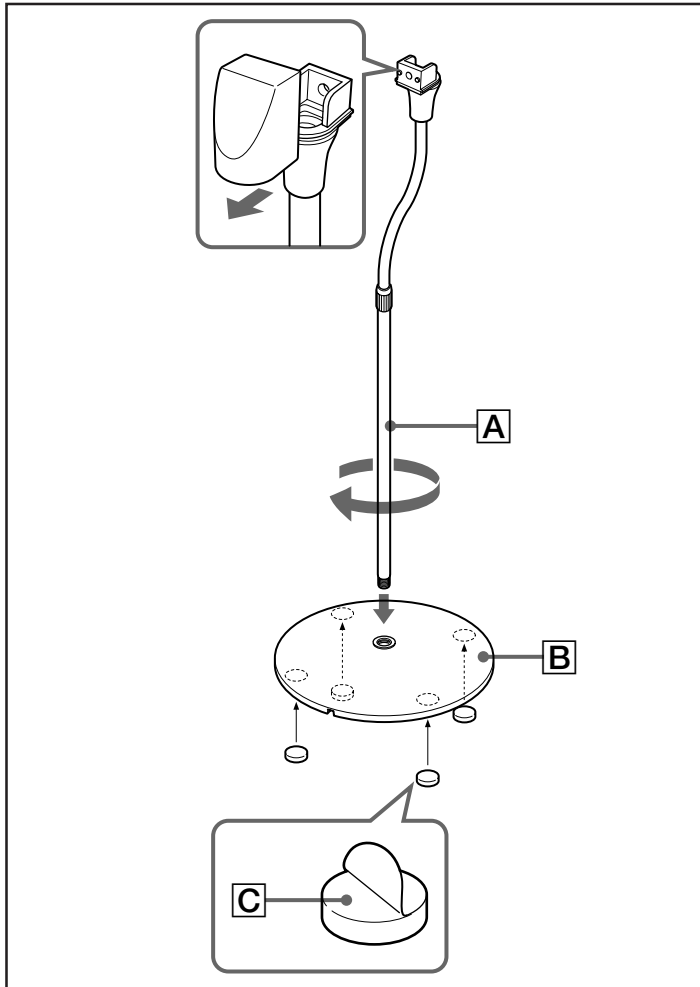
E DAV-S300



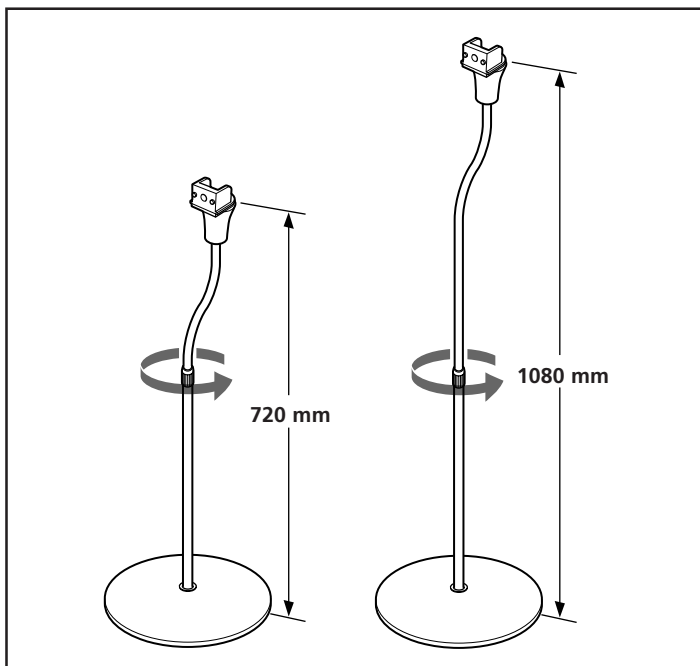
Assembly

组合

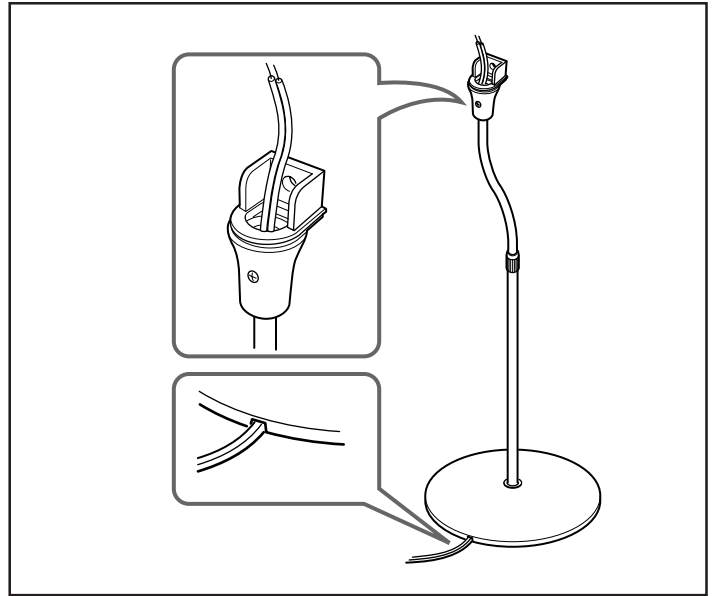
- ① Attach the foot pads (C) to the bottom of the base (B), then screw the pipe stand (A) into the hole in the base.
- ① 将脚垫 (C) 附装在基座 (B) 底, 然后将管状支架 (A) 按着螺纹转入基座上的孔。



- ② Adjust the pipe stand to a height of 720 mm to 1,080 mm.
- ② 将管状支架调到 720 mm 至 1,080 mm 的高度。



- ③ Pass the speaker cord into the hole under the base and out from the hole in the mount.
- ③ 将扬声器导线穿过垫子下面的孔而自安装件上的孔取出。



- ④ Secure the speaker to the mount with the screw (D).
- ④ 用螺丝 (D) 将扬声器固定。

