

Compact Disc Player

Operating Instructions _____ **US**

Mode d'emploi _____ **FR**



CDP-CE375
CDP-CE275

This Class B digital apparatus complies with Canadian ICES-003.

CAUTION

TO PREVENT ELECTRIC SHOCK, DO NOT USE THIS POLARIZED AC PLUG WITH AN EXTENSION CORD, RECEPTACLE OR OTHER OUTLET UNLESS THE BLADES CAN BE FULLY INSERTED TO PREVENT BLADE EXPOSURE.

About this manual

The instructions in this manual are for CDP-CE375 and CDP-CE275. CDP-CE375 is the model used for illustration purposes only. Any difference in operation is clearly indicated in the text, for example, “CDP-CE375 only.”

Tip

Instructions in this manual describe the controls on the player.

You can also use the controls on the remote if they have the same or similar names as those on the player (CDP-CE375 only).

Table of Contents

Parts Identification 4

Front Panel	4
Rear Panel	5
Remote Control	5

Getting Started

Inserting Batteries Into the Remote Control (CDP-CE375 only)	6
Hooking Up the System	6

Playing CDs

Loading the CD	7
Playing the CD — Normal Play/Shuffle Play/Repeat Play	8
Using the CD display	9
Replacing Discs While Playing a Disc	10
Programming the CD tracks	11
Fading In or Out	12

US

Recording From CDs

Recording a CD by Specifying Tape Length (Time Edit)	12
Adjusting the Recording Level (Peak Search)	13

Additional Information

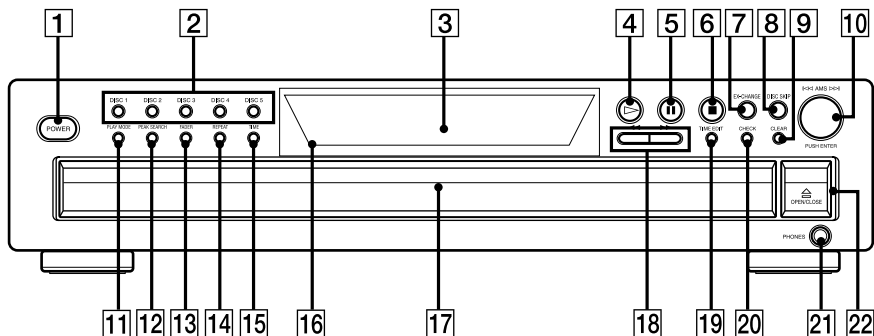
Precautions	14
Notes on CDs	14
Troubleshooting	15
Specifications	15

Front Panel

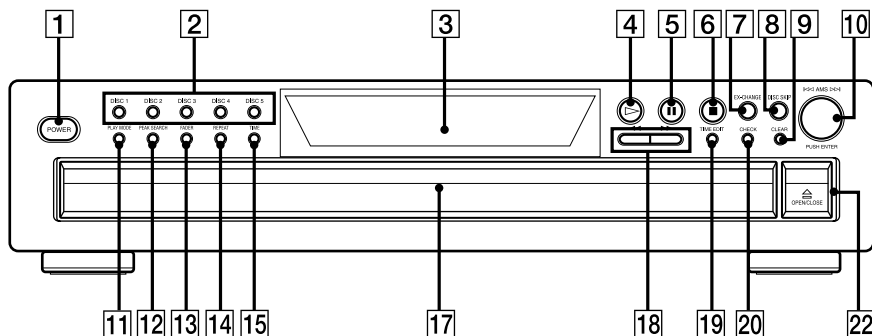
The items are arranged in alphabetical order.

Refer to the pages indicated in parentheses () for details.

CDP-CE375



CDP-CE275



CHECK **20** (11, 12)

CLEAR **9** (11, 12)

DISC 1-5 **2** (8, 9, 11)

Disc compartment **17** (7)

DISC SKIP **8** (7, 10, 12)

Display **3** (9)

EX-CHANGE **7** (10, 13)

FADER **13** (12)

PEAK SEARCH **12** (13)

PHONES jack **21** (9)

PLAY MODE **11** (8, 9, 11, 13)

POWER **1** (7)

Remote sensor **16** (6)

REPEAT **14** (8)

TIME **15** (9, 10)

TIME EDIT **19** (12)

BUTTON DESCRIPTIONS

⏏ OPEN/CLOSE **22** (7, 9)

▶ **4** (8, 11, 13)

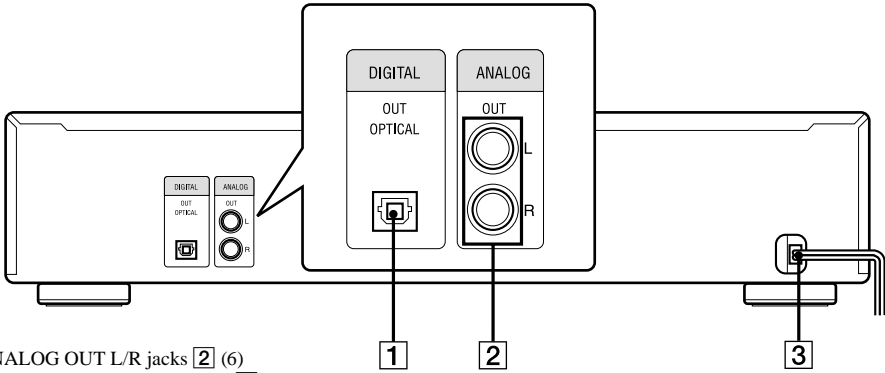
▬ **5** (9, 13)

■ **6** (9, 13)

⏮<<AMS>>⏭ dial **10** (9, 11, 13)

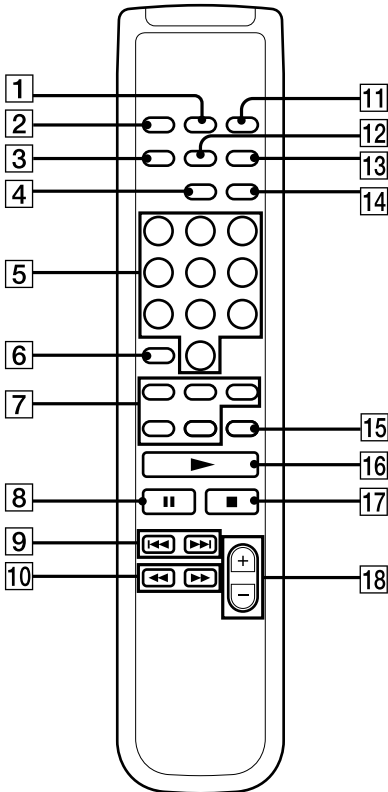
◀▶▶▶ **18** (9, 12)

Rear Panel



- ANALOG OUT L/R jacks **2** (6)
- DIGITAL OUT OPTICAL jack **1** (7)
- Mains lead **3** (6)

Remote Control (CDP-CE375 only)

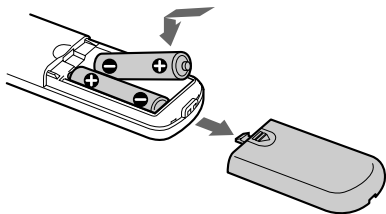


- ANALOG OUT LEVEL +/- **18** (6, 7)
- CHECK **12** (11, 12)
- CLEAR **13** (11, 12)
- CONTINUE **2** (8)
- DISC 1-5 **7** (8, 9, 11)
- DISC SKIP **15** (7, 10, 12)
- FADER **14** (12)
- Number buttons **5** (9, 11)
- PROGRAM **11** (8)
- REPEAT **3** (8)
- SHUFFLE **1** (8)
- TIME **4** (9, 10)

BUTTON DESCRIPTIONS

- >10 **6** (9)
- ▶ **16** (8, 11, 13)
- ▬ **8** (9, 13)
- **17** (9, 13)
- ◀◀ AMS ▶▶ **9** (9, 11, 13)
- ◀◀▶▶ **10** (9, 12)


Inserting Batteries Into the Remote Control (CDP-CE375 only)



You can control the player using the supplied remote.

Insert two R6 (size AA) batteries by matching the + and – on the batteries to the diagram inside the battery compartment.

Insert the negative (–) end first, then push in and down until the positive (+) end clicks into position.

When using the remote, point it at the remote sensor  on the player.

Tip

When the remote no longer operates the system, replace both batteries with new ones.

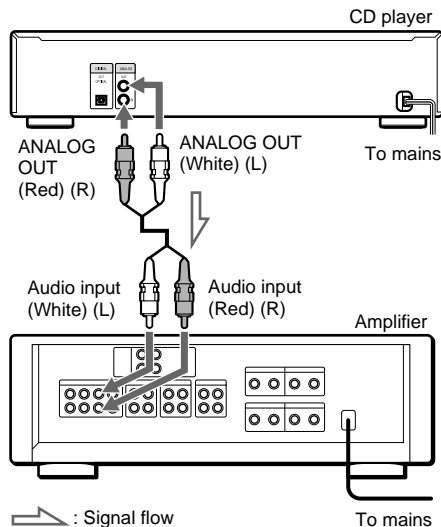
Note

- Do not leave the remote near an extremely hot or humid place.
- Do not drop any foreign object into the remote casing, particularly when replacing the batteries.
- Do not expose the remote sensor to direct sunlight or lighting apparatuses. Doing so may cause a malfunction.
- If you don't use the remote for an extended period of time, remove the batteries to avoid possible damage from battery leakage and corrosion.

Hooking Up the System

Hookups

This section describes how to hook up the CD player to an amplifier. Be sure to turn off the power of each component before making the connections.



Tip (CDP-CE375 only)

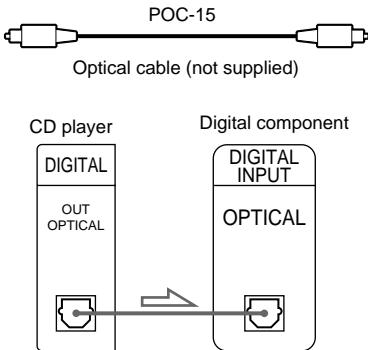
You can adjust the analog output level to the amplifier using the remote comes with this player. Press ANALOG OUT LEVEL +/- on the remote. You can reduce the output level up to –20 dB. When you reduce the analog output level, “FADE” appears in the display. When you turn off the player, the analog output level automatically returns to the maximum level.

Making digital hookups

If you have a digital component such as a digital amplifier, D/A converter, DAT, or MD, connect the component via the DIGITAL OUT (OPTICAL) connector using the optical cable (not supplied). Take off the cap and plug in the optical cable.

Note that you cannot use the following functions when making this connection:

- Fading In or Out (see page 12)
- Adjusting the output level using the ANALOG OUT LEVEL +/- buttons on the remote



Note

When you connect via the DIGITAL OUT (OPTICAL) connector, noise may occur when you play CD software other than music, such as a CD-ROM.

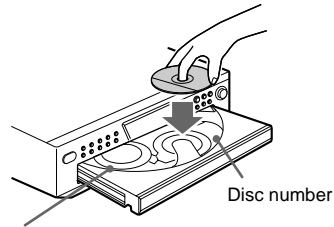
Transporting the player

Before transporting the player, follow the procedure below to return the internal mechanisms back to their original position.

- 1 **Remove all the discs from the disc tray.**
- 2 **Press \triangle OPEN/CLOSE to close the disc tray.**
“no DISC” appears in the display.
- 3 **Wait for 10 seconds, then press POWER to turn off the player.**

Loading a CD

- 1 **Turn on the amplifier and select the CD player position so that you can listen to the sound from this player.**
- 2 **Press POWER to turn on the player.**
- 3 **Press \triangle OPEN/CLOSE.**
The disc compartment slides out.
- 4 **Place a disc on the disc tray with the label side up.**



When you play a CD single, place it on the inner circle of the tray.

- 5 **To place other discs, press DISC SKIP and place the discs in the order you want to play.**
Each time you press the button, the disc tray turns and you can place the discs in the empty disc compartments. The player plays the disc in front of you first.
- 6 **Press \triangle OPEN/CLOSE to close the disc compartment.**

Playing the CD

—Normal Play/Shuffle Play/Repeat Play

This unit lets you play the CD in different play modes.

1 Press **PLAY MODE** repeatedly until the mode you want appears.

Select	To play
ALL DISCS (Continuous Play)	All discs in the player consecutively in the order of disc number.
1 DISC (Continuous Play)	Only the disc you've selected.
ALL DISCS SHUFFLE	All tracks on all discs in random order.
1 DISC SHUFFLE	All tracks on the specific disc in random order.
PROGRAM	The tracks on the CD in the order you want them to be played (see "Programming the CD tracks" on page 11).

2 Press **▷**.

Tips

- You can select the disc you want to start playing first by pressing one of the DISC 1 – 5 buttons.
- You can specify discs during ALL DISCS Shuffle Play mode, and the tracks on the specified discs are played in a random order.

Press DISC 1 – 5 to specify the discs after Step 1.

Semi-circles appear around the specified disc numbers in the display. To cancel the selected discs, press DISC 1 – 5 again. The semi-circles disappear. To return to ALL DISCS Shuffle Play, press **PLAY MODE** until "ALL DISCS SHUFFLE" appears in the display.

- You can select the playing mode by pressing **CONTINUE**, **SHUFFLE**, or **PROGRAM** on the remote (CDP-CE375 ONLY).

Repeat Play Operations

You can play the CD tracks repeatedly in any play modes.

To activate the Repeat Play function, press **REPEAT** until "REPEAT" appears in the display.

To	Press REPEAT
Repeat only one track	Until "REPEAT 1" appears while playing the track you want to repeat.
Cancel Repeat Play	Until "REPEAT" or "REPEAT 1" disappears.

When you are in the Repeat Play function, the player repeats the tracks as follows:

When the disc is played in	The player repeats
Continuous Play (ALL DISCS)	All the tracks on all discs
Continuous Play (1 DISC)	All the tracks on the current disc
Shuffle Play (ALL DISCS)	All the tracks on all discs in random order
Shuffle Play (1 DISC)	All the tracks on the current disc in random order
Program Play (page 11)	The same program

Other Operations

To	Do this
Stop playback	Press ■.
Pause	Press ■■. Press ■■ again or ▷ to resume play.
Select a track	During play or pause, turn ◀◀AMS▶▶ clockwise (to go forward) or counterclockwise (to go backward) (or press ▶▶ (to go forward) or ◀◀ (to go backward) on the remote (CDP-CE375 only)).
Select a track directly	Press the number button on the remote (CDP-CE375 only).*
Go to the next disc	Press DISC SKIP.
Select a disc directly	Press DISC 1 – 5.
Find a point in a track	Press and hold ▶▶ or ◀◀ during playback, and release at the desired point.
Play tracks in random order	Press PLAY MODE until “SHUFFLE” appears in the display.
Remove the CD	Press OPEN/CLOSE.
Adjust the volume	Press ANALOG OUT LEVEL +/- on the remote (CDP-CE375 only).

* When you directly locate a track numbered over 10, press >10 first, then the corresponding number buttons. To enter “0,” use button 10.

Example: To play track number 30
Press >10 first, then 3 and 10.

Tips

- You can adjust the analog output level with the ANALOG OUT LEVEL +/- on the remote (page 6) (CDP-CE375 only).
- You can adjust the headphones volume on the remote. To adjust the volume, connect the headphones to the PHONES jack and adjust the volume with the ANALOG OUT LEVEL +/- on the remote (CDP-CE375 only).
- If there is no CD in the player, “no dISC” appears in the display.

Notes

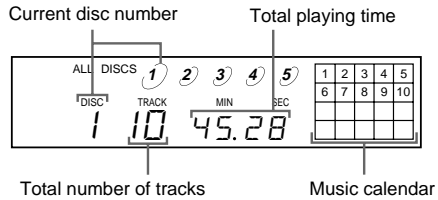
- If “⌂” appears in the display, the disc has reached the end while you were pressing ▶▶. Press ◀◀ or turn ◀◀AMS▶▶ counterclockwise to go back.
- If you press ANALOG OUT LEVEL +/- on the remote while recording, the recording level will change even when it is preset on the tape deck, etc (CDP-CE375 only).

Using the CD display

You can check information about the disc using the display.

In the stop mode

Press TIME.



The display shows the current disc number, the total number of tracks, total playing time and music calendar.

The information also appears when you press OPEN/CLOSE to close the disc tray.

The tracks numbered over 20 cannot be displayed in the music calendar.

Notes on the disc number indications

- The red circle around a disc number indicates the disc is ready to be played.
- When all the tracks on a disc have been played, the semi-circle around the disc number disappears.
- When a disc compartment is recognized as empty, the semi-circled disc number disappears.

During normal playback

While playing a disc, the display shows the current disc number, track number, playing time of the track and the music calendar.

The track numbers in the music calendar disappear after they are played.

continued

Using the CD display (continued)

To check the remaining time

Press TIME during playback.

Each time you press this button while playing a disc, the display changes as shown in the chart below.

Playing time and number on the current track
→ Remaining time on the current track →
Remaining time on the disc

Notes

- When the disc has more than 24 tracks, “- - . - -” appears instead of the remaining time.
- The remaining time on the disc appears only when the disc is played in Continuous Play.

Replacing Discs While Playing a Disc

You can open the disc tray while playing a disc so that you can check what discs are to be played next and replace discs without interrupting playback of the current disc.

1 Press EX-CHANGE.

The disc tray opens and two disc compartments appear. Even if the player is playing a disc, it doesn't stop playing.

2 Replace discs in the compartments with new ones.

The player plays the disc on the left side compartment after the current disc, and then the one on the right side compartment.

3 Press DISC SKIP.

The disc tray turns and other two disc compartments appear.

4 Replace discs in the compartments with new ones.

5 Press EX-CHANGE.

The disc tray closes.

While the disc tray is open by pressing the EX-CHANGE button

- If the playback of the current disc ends, the player stops playing. If the disc is played in 1 DISC Repeat Play mode (see page 8), the current disc starts playing again.
- In ALL DISCS Shuffle Play mode (see page 8), tracks are reshuffled on the current disc.
- In Program Play mode (see page 11), only the tracks on the current disc are played.
- **Do not push the disc tray to close it in Step 5, as you may damage the player.**

Programming the CD tracks

You can arrange the order of the tracks on the discs and create your own program. The program can contain up to 32 “steps” — one “step” may contain a track or a whole disc.

1 Press **PLAY MODE** repeatedly until **“PROGRAM”** appears in the display before you start playing.

If a program is already stored, the last step of the program appears in the display. When you want to erase the whole program, hold down **CLEAR** until **“ALL CLR”** appears in the display (see page 12).

2 Press **DISC 1 – 5** to select the disc.

“AL” in the display stands for “all” tracks. When you want to program the whole disc as one step, skip Step 3, and go to Step 4.

3 Turn **◀◀AMS▶▶** until the track you want appears and push **◀◀AMS▶▶** to select the track.

The track number that you programmed, the playing order, and the total playing time appear in the display.

If you’ve made a mistake Press **CLEAR**, then repeat Step 2.

Tip

You can select the track using the number buttons on the remote. To select a track with a number over 10, use >10 (see page 9).

4 To program other discs or tracks, do the following:

To program	Repeat Step(s)
Other discs	2
Other tracks on the same disc	3
Other tracks on other discs	2 and 3

5 Press **▷** to start Program Play.

To cancel Program Play Press **PLAY MODE**.

Tips

- You can create your program while checking the disc labels. While the disc tray is open, follow Steps 1 to 4 with pressing the **DISC SKIP** button to check the disc labels. If you close the disc tray before Step 5, the total playing time appears in the display after a while. Note that, if the programmed track number isn’t found on the disc, that step is automatically erased.
- The program remains even after the Program Play ends. When you press the **▷** button, you can play the same program again.
- The program remains until you erase it or turn off the player. If you replace discs, the programmed disc and track numbers remain. So, the player plays only the existing disc and track numbers. However, the disc and track numbers that aren’t found in the player or on the disc are deleted from the program, and the rest of the program is played in the programmed order.
- For the recording to the A side or B side of the cassette tape, you can pause Program Play.

Note

- The total playing time doesn’t appear when:
- You have programmed a track whose number exceeds 20.
 - The total playing time of the program exceeds 200 minutes.

Checking the track order

You can check your program before or after you start playing.

Press **CHECK**.

Each time you press this button, the display shows the track (the disc and track numbers) or the disc (the disc number and “AL” indication) of each step in the programmed order. After the last step in the program, the display shows “End” and returns to the original display. If you check the order after you start playing, the display shows only the remaining steps.

continued

Programming the CD tracks (continued)

Changing the track order

You can change your program before you start playing.

To	You need to
Erase a track	Press CHECK until the track you don't want appears in the display, then press CLEAR.
Erase the last track in the program	Press CLEAR. Each time you press the button, the last track will be cleared.
Add tracks to the end of the program	Follow Steps 2 through 4 of the programming procedure.
Change the whole program completely	Hold down CLEAR until "ALL CLr" appears in the display. Create a new program following the programming procedure.

Fading In or Out

You can manually fade in or out to prevent tracks from starting or ending abruptly.

Note that you cannot use this effect when you use the DIGITAL OUT (OPTICAL) connector.

To	Press FADER
Start play fading in	During pause. "FADE" flashes. The play fades in.
End play fading out	When you want to start fading out. "FADE" flashes. Then play fades out and the player pauses.

Fading time lasts for 5 seconds.

Recording a CD by Specifying Tape Length (Time Edit)

You can have the player create a program that will fit the length of the tape.

The player automatically creates a program, keeping the original order of the disc.

The program can contain up to 32 steps (a pause inserted between steps is counted as one step).

Note that tracks numbered over 20 cannot be programmed automatically.

- 1 Press **DISC SKIP** to select the disc.
- 2 Press **TIME EDIT** repeatedly before you start playing until "EDIT" appears and "A" in the **(A)** indication flashes in the display.

- 3 Press **◀** or **▶** to specify the tape length.

Each time you press these buttons, the display changes as shown below, with the tape length of one side following each indication.

```

C-46 23.00 ↔ C-54 27.00 ↔ C-60 30.00
      ↓                               ↓
      - - - ↔ C-90 45.00 ↔ C-74 37.00
  
```

- 4 Press **TIME EDIT** to have the player create the program.

The display shows the tracks to be recorded. "B" in the **(A)** indication flashes in the display.

- 5 When you record on both sides of the tape, press **TIME EDIT** again.

The player inserts a pause, then creates the program for side B. The display shows the programmed tracks.

When you record on one side of the tape, skip this step.

- 6 Start recording on the deck and then press **▷** on the player.
- 7 Reverse the tape to side B and press **▷** or **II** on the player to resume playing the remaining tracks.

To cancel Time Edit

Press **PLAY MODE**.

Tips

- You can program the tracks you want in advance. Create a program selecting the desired tracks, then follow Steps 2 to 7. Be careful that the total playing time of the program does not exceed the tape length of one side.
- You can set the tape length freely using **II<< AMS >>II**.
Example: When the tape length of one side is 30 minutes and 15 seconds
 - 1 To set the minutes, turn **II<< AMS >>II** until “30” appears in the display, then push **II<< AMS >>II**.
 - 2 To set the seconds, turn **II<< AMS >>II** until “15” appears in the display, then push **II<< AMS >>II**.
- To check and change your program, see pages 11 and 12.

Adjusting the Recording Level (Peak Search)

The player locates the highest level among the tracks to be recorded to let you adjust the recording level before you start recording.

1 Before you start playing, press **PEAK SEARCH**.

“PEAK” flashes in the display and the player starts scanning the disc searching for the highest peak level.

After scanning all the tracks, the player repeats the portion with the highest peak level.

2 Adjust the recording level on the deck.

3 Press **■** on the player to stop Peak Search.

“PEAK” disappears from the display.

Notes

- The portion with the highest level may differ every time you try the adjustment on the same disc. The difference is, however, so slight that you won't find any problem in adjusting the recording level precisely.
- Peak Search does not operate while you open the disc tray by pressing the **EX-CHANGE** button.

Precautions

On safety

- Caution — The use of optical instruments with this product will increase eye hazard.
- Should any solid object or liquid fall into the cabinet, unplug the player and have it checked by qualified personnel before operating it any further.
- Discs with non-standard shapes (e.g., heart, square, star) cannot be played on this unit. Attempting to do so may damage the unit. Do not use such discs.

On power sources

- Before operating the player, check that the operating voltage of the player is identical with your local power supply. The operating voltage is indicated on the nameplate at the rear of the player.
- The player is not disconnected from the AC power source (mains) as long as it is connected to the wall outlet, even if the player itself has been turned off.
- If you are not going to use the player for a long time, be sure to disconnect the player from the wall outlet. To disconnect the AC power cord (mains lead), grasp the plug itself; never pull the cord.
- AC power cord must be changed only at the qualified service shop.

On placement

- Place the player in a location with adequate ventilation to prevent heat build-up in the player.
- Do not place the player on a soft surface such as a rug that might block the ventilation holes on the bottom.
- Do not place the player in a location near heat sources, or in a place subject to direct sunlight, excessive dust or mechanical shock.

On operation

- If the player is brought directly from a cold to a warm location, or is placed in a very damp room, moisture may condense on the lenses inside the player. Should this occur, the player may not operate properly. In this case, remove the disc and leave the player turned on for about an hour until the moisture evaporates.

On adjusting volume

- Do not turn up the volume while listening to a portion with very low level inputs or no audio signals. If you do, the speakers may be damaged when a peak level portion is played.

On cleaning

- Clean the cabinet, panel and controls with a soft cloth slightly moistened with a mild detergent solution. Do not use any type of abrasive pad, scouring powder, or solvent such as alcohol or benzene.

If you have any questions or problems concerning your player, please consult your nearest Sony dealer.

Notes on CDs

On handling CDs

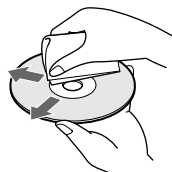
- To keep the disc clean, handle the disc by its edge. Do not touch the surface.
- Do not stick paper or tape on the disc.



- Do not expose the disc to direct sunlight or heat sources such as hot air ducts, nor leave it in a car parked in direct sunlight as there can be considerable rise in temperature inside the car.
- Do not use any commercially available stabilizer. If you do, the disc and the player may be damaged.
- After playing, store the disc in its case.

On cleaning

- Before playing, clean the disc with a cleaning cloth. Wipe the disc from the centre out.



- Do not use solvents such as benzene, thinner, commercially available cleaners or anti-static spray intended for vinyl LPs.

Notes on CD-R/CD-RW playback

- Discs recorded on CD-R/CD-RW drives may not be played back because of scratches, dirt, recording condition, or the drive's characteristics. Besides, the discs, which are not yet finalized at the end of recording, cannot be played back.

Troubleshooting

If you experience any of the following difficulties while using the player, use this troubleshooting guide to help you remedy the problem. Should any problem persist, consult your nearest Sony dealer.

There's no sound.

- Check that the player is connected securely.
- Make sure you operate the amplifier correctly.
- Adjust the analog output level with ANALOG OUT LEVEL +/- on the remote (CDP-CE375 only).


The CD does not play.

- There's no CD inside the player. "no DISC" appears. Insert a CD.
- Place the CD with the label side up on the disc tray correctly.
- Clean the CD (see page 14).
- Moisture has condensed inside the player. Remove the disc and leave the player turned on for about an hour.
- Place the CD in the correct position on the disc tray.

The recording level has changed.

- The recording level changes if you adjust the analog output level with ANALOG OUT LEVEL +/- on the remote during recording (CDP-CE375 only).

The remote does not function (CDP-CE375 only).

- Remove the obstacles in the path of the remote and the player.
- Point the remote at the remote sensor  on the player.
- Replace all the batteries in the remote with new ones if they are weak.

The player functions incorrectly.

- The microcomputer chips may be operating incorrectly. Turn the power off, then turn it back on to reset the player.

Specifications

Compact disc player

Laser	Semiconductor laser ($\lambda = 780 \text{ nm}$) Emission duration: continuous
Frequency response	2 Hz to 20 kHz $\pm 0.5 \text{ dB}$
Dynamic range	More than 93 dB
Harmonic distortion	Less than 0.0045%

Outputs

	Jack type	Maximum output level	Load impedance
ANALOG OUT	Phono jacks	2 V (at 50 kilohms)	Over 10 kilohms
DIGITAL OUT (OPTICAL)	Optical output connector	-18 dBm	Wave length: 660 nm
PHONES (CDP-CE375 only)	Stereo phone jack	10 mW	32 ohms

General

Power requirements	120 V AC, 60 Hz
Power consumption	11 W
Dimensions (approx.) (w/h/d)	430 x 110 x 400 mm (17 x 4 3/8 x 15 3/4 in.) incl. projecting parts
Mass (approx.)	5 kg (11 lbs 1 oz)

Supplied accessories

Audio cord (2 phono plugs – 2 phono plugs) (1)
Remote commander (remote) (1) (CDP-CE375 only)
R6 (size AA) batteries (2) (CDP-CE375 only)

Design and specifications are subject to change without notice.

Cet appareil numérique de la classe B est conforme à la norme NMB-003 du Canada.

ATTENTION

POUR PREVENIR LES CHOCS ELECTRIQUES, NE PAS UTILISER CETTE FICHE POLARISEE AVEC UN PROLONGATEUR, UNE PRISE DE COURANT OU UNE AUTRE SORTIE DE COURANT, SAUF SI LES LAMES PEUVENT ETRE INSEREES A FOND SANS EN LAISSER AUCUNE PARTIE A DECOUVERT.

A propos de ce manuel

Les instructions contenues dans ce manuel concernent les appareils CDP-CE375 et CDP-CE275. Le CDP-CE375 est le modèle utilisé pour les illustrations uniquement. Toute différence de fonctionnement est clairement mentionnée dans le texte, par exemple "CDP-CE375 uniquement".

Conseil

Les instructions de ce manuel décrivent les commandes du lecteur.

Vous pouvez également utiliser les commandes de la télécommande si elles portent les même noms que celles du lecteur ou des noms similaires (CDP-CE375 uniquement).

Table des matières

Identification des pièces 4

Panneau avant	4
Panneau arrière	5
Télécommande	5

Préparation

Insertion de piles dans la télécommande (CDP-CE375 uniquement)	6
Raccordement du système	6

Lecture de CD

Chargement d'un CD	7
Lecture de CD — Lecture normale/Lecture aléatoire/Lecture répétée	8
Utilisation de la fenêtre d'affichage CD	9
Remplacement de disques en cours de lecture d'un disque	10
Programmation des pistes du CD	11
Fondu enchaîné	12

FR

Enregistrement de CD

Enregistrement d'un CD en spécifiant la longueur de la bande (Time Edit)	12
Réglage du niveau d'enregistrement (Recherche de crête)	13

Informations complémentaires

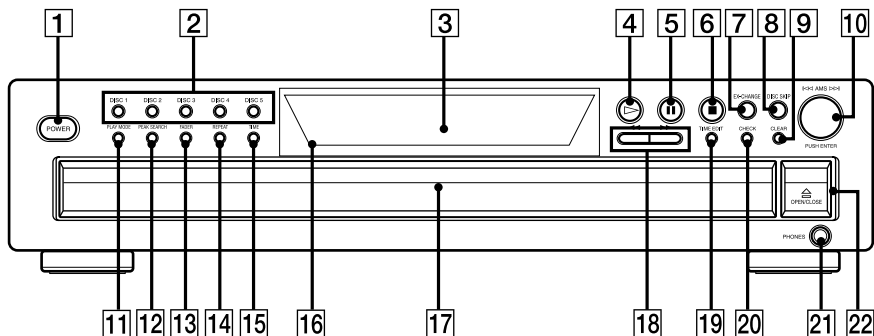
Précautions	14
Remarques sur les CD	14
Dépannage	15
Spécifications	15

Panneau avant

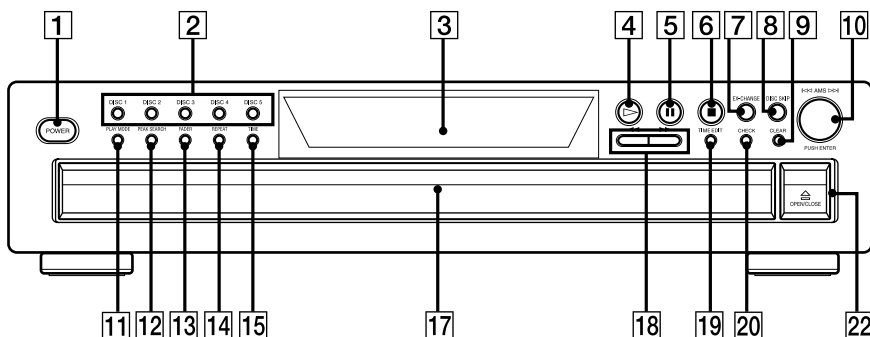
Les éléments sont classés par ordre alphabétique.

Reportez-vous aux pages indiquées entre parenthèses () pour plus de détails.

CDP-CE375



CDP-CE275



Capteur de la télécommande **16** (6)

CHECK **20** (11, 12)

CLEAR **9** (11, 12)

DISC 1-5 **2** (8, 9, 11)

Compartiment à disques **17** (7)

DISC SKIP **8** (7, 10, 12)

Fenêtre d'affichage **3** (9)

EX-CHANGE **7** (10, 13)

FADER **13** (12)

PEAK SEARCH **12** (13)

PLAY MODE **11** (8, 9, 11, 13)

Prise PHONES **21** (9)

POWER **1** (7)

REPEAT **14** (8)

TIME **15** (9, 10)

TIME EDIT **19** (12)

DESCRIPTIONS DES TOUCHES

⏏ OPEN/CLOSE **22** (7, 9)

▶ **4** (8, 11, 13)

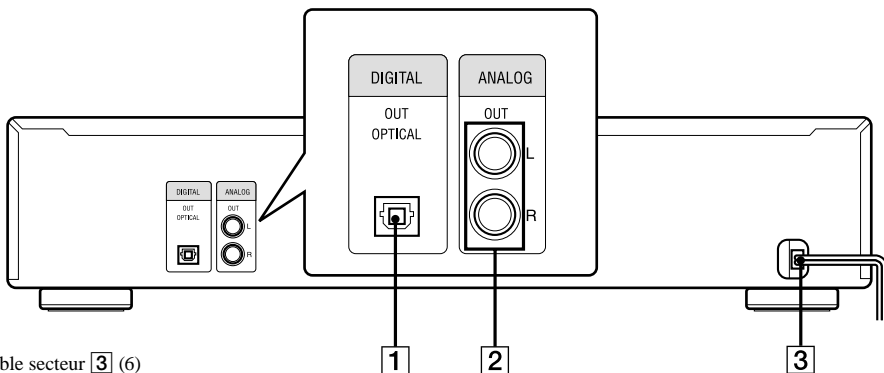
▬ **5** (9, 13)

■ **6** (9, 13)

Molette ◀◀AMS▶▶ **10** (9, 11, 13)

◀◀/▶▶ **18** (9, 12)

Panneau arrière

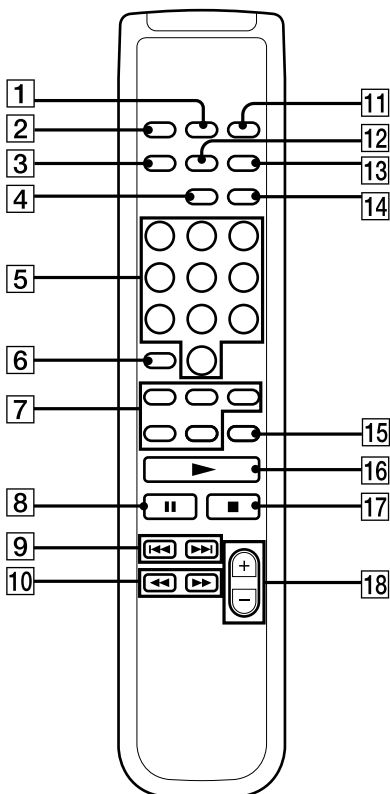


Câble secteur **3** (6)

Prises ANALOG OUT L/R **2** (6)

Prise DIGITAL OUT OPTICAL **1** (7)

Télécommande (CDP-CE375 uniquement)



ANALOG OUT LEVEL +/- **18**
(6, 7)

CHECK **12** (11, 12)

CLEAR **13** (11, 12)

CONTINUE **2** (8)

DISC 1-5 **7** (8, 9, 11)

DISC SKIP **15** (7, 10, 12)

FADER **14** (12)

Touches numériques **5** (9, 11)

PROGRAM **11** (8)

REPEAT **3** (8)

SHUFFLE **1** (8)

TIME **4** (9, 10)

DESCRIPTIONS DES TOUCHES

>10 **6** (9)

▶ **16** (8, 11, 13)

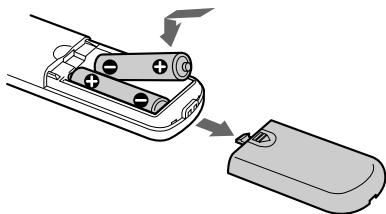
|| **8** (9, 13)

■ **17** (9, 13)

◀◀ AMS ▶▶ **9** (9, 11, 13)

◀◀▶▶ **10** (9, 12)


Insertion de piles dans la télécommande (CDP-CE375 uniquement)



Vous pouvez commander le lecteur à l'aide de la télécommande fournie.

Insérez deux piles R6 (AA) en faisant correspondre les signes + et - des piles avec le schéma situé à l'intérieur du compartiment.

Commencez par insérer le pôle négatif (-), puis appuyez sur la pile jusqu'à ce que le pôle positif (+) s'encliquette.

Lorsque vous utilisez la télécommande, dirigez-la vers le capteur  du lecteur.

Conseil

Lorsque la télécommande ne fonctionne plus, remplacez les deux piles par des piles neuves.

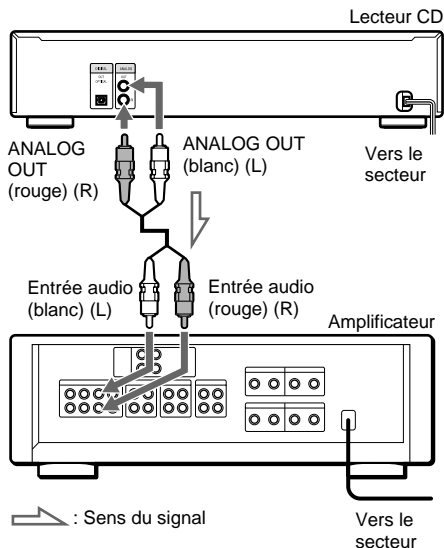
Remarque

- Ne laissez pas la télécommande dans un endroit extrêmement chaud ou humide.
- Ne laissez pas tomber de corps étrangers dans le boîtier de la télécommande, notamment lorsque vous changez les piles.
- N'exposez pas le capteur de télécommande directement aux rayons du soleil ou à des équipements d'éclairage. Sinon, vous risquez de déclencher un dysfonctionnement de l'appareil.
- Si vous n'utilisez la télécommande pendant une période prolongée, retirez les piles pour éviter les dommages dus à la fuite des piles ou à la corrosion.

Raccordement du système

Raccordements

Cette section décrit comment raccorder le lecteur CD à un amplificateur. Assurez-vous que vous avez mis les deux appareils hors tension avant de procéder aux raccordements.



Conseil (CDP-CE375 uniquement)

Vous pouvez régler le niveau de sortie analogique de l'amplificateur à l'aide de la télécommande livrée avec l'appareil.

Appuyez sur ANALOG OUT LEVEL +/- sur la télécommande. Vous pouvez réduire le niveau de sortie jusqu'à -20 dB.

Lorsque vous réduisez le niveau de sortie analogique, l'indication "FADE" apparaît dans la fenêtre d'affichage.

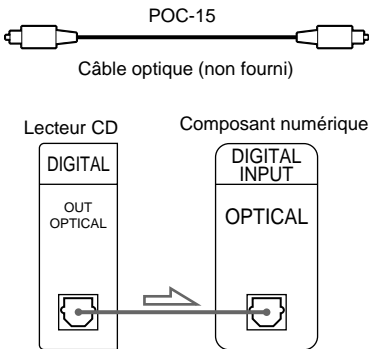
Lorsque vous mettez le lecteur hors tension, le niveau de sortie analogique revient automatiquement au niveau maximum.

Raccordements numériques

Si vous disposez d'un composant numérique, comme par exemple un amplificateur numérique, un convertisseur D/A, DAT ou MD, raccordez le composant via le connecteur DIGITAL OUT (OPTICAL) à l'aide du câble optique (non fourni). Retirez le capuchon et raccordez le câble optique.

Lorsque vous effectuez ce raccordement, notez que vous ne pouvez pas utiliser les fonctions suivantes :

- Fondu enchaîné (voir page 12)
- Réglage du niveau de sortie à l'aide des touches ANALOG OUT LEVEL +/- sur la télécommande



Remarque

Lorsque vous effectuez le raccordement via le connecteur DIGITAL OUT (OPTICAL), des bruits parasites peuvent se produire lors de la lecture d'un CD non musical, comme par exemple un CD-ROM.

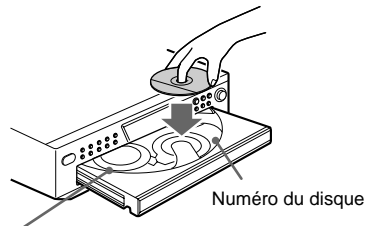
Transport du lecteur

Avant de transporter le lecteur, suivez la procédure ci-dessous pour replacer les mécanismes internes dans leur position d'origine.

- 1 Retirez tous les disques du plateau.**
- 2 Appuyez sur \triangle OPEN/CLOSE pour refermer le plateau.**
L'indication "no DISC" apparaît dans la fenêtre d'affichage.
- 3 Attendez 10 secondes, puis appuyez sur POWER pour mettre le lecteur hors tension.**

Chargement d'un CD

- 1 Mettez l'amplificateur sous tension et sélectionnez la position du lecteur CD de façon à pouvoir écouter le son de ce lecteur.**
- 2 Appuyez sur POWER pour mettre le lecteur sous tension.**
- 3 Appuyez sur \triangle OPEN/CLOSE.**
Le compartiment à disques sort.
- 4 Placez un disque sur le plateau, étiquette vers le haut.**



Lorsque vous écoutez un seul CD, placez-le sur le cercle situé à l'intérieur du plateau.

- 5 Pour placer d'autres disques, appuyez sur DISC SKIP et placez les disques dans l'ordre où vous souhaitez les écouter.**
A chaque pression sur la touche, le plateau tourne et vous pouvez placer les disques dans les emplacements vides. Le lecteur commence par lire le disque se trouvant en face de vous.
- 6 Appuyez sur \triangle OPEN/CLOSE pour fermer le compartiment à disques.**

Lecture du CD

— Lecture normale/Lecture aléatoire/ Lecture répétée

Cet appareil vous permet d'écouter le CD selon différents modes de lecture.

1 Appuyez plusieurs fois sur PLAY MODE jusqu'à ce que le mode souhaité apparaisse.

Sélectionnez	Pour écouter
ALL DISCS (Lecture continue)	Tous les disques du lecteur à la suite dans l'ordre des numéros de disques.
1 DISC (Lecture continue)	Uniquement le disque que vous avez sélectionné.
ALL DISCS SHUFFLE	Toutes les pistes des disques dans un ordre aléatoire.
1 DISC SHUFFLE	Toutes les pistes d'un disque donné dans un ordre aléatoire.
PROGRAM	Les pistes du CD selon l'ordre dans lequel vous souhaitez les écouter (voir "Programmation des pistes du CD" page 11).

2 Appuyez sur ▷.

Conseils

- Vous pouvez sélectionner le premier disque que vous souhaitez écouter en appuyant sur l'une des touches DISC 1 – 5.
- Vous pouvez spécifier les disques en cours de lecture aléatoire ALL DISCS et les pistes des disques spécifiés sont lues dans un ordre aléatoire. Appuyez sur DISC 1 – 5 pour spécifier les disques après l'étape 1.

Dans la fenêtre d'affichage, des demi-cercles apparaissent autour des numéros de disques spécifiés. Pour annuler les disques sélectionnés, appuyez une nouvelle fois sur DISC 1 – 5. Les demi-cercles disparaissent.

Pour revenir à la lecture aléatoire ALL DISCS, appuyez sur PLAY MODE jusqu'à ce que l'indication "ALL DISCS SHUFFLE" apparaisse dans la fenêtre d'affichage.

- Vous pouvez sélectionner le mode de lecture en appuyant sur les touches CONTINUE, SHUFFLE ou PROGRAM de la télécommande (CDP-CE375 uniquement).

Lecture répétée

Vous pouvez lire les pistes CD de façon répétée dans n'importe quel mode de lecture.

Pour activer la fonction de lecture répétée, appuyez sur REPEAT en cours de lecture jusqu'à ce que l'indication "REPEAT" apparaisse dans la fenêtre d'affichage.

Pour	Appuyez sur REPEAT
Répéter une seule piste	Jusqu'à ce que "REPEAT 1" apparaisse en cours de lecture de la piste que vous voulez répéter.
Annuler la lecture répétée	Jusqu'à ce que "REPEAT" ou "REPEAT 1" disparaisse.

Lorsque l'appareil est en mode de lecture répétée, il répète les pistes de la façon suivante :

Lorsque le disque est lu en	Le lecteur répète
Lecture continue (ALL DISCS)	Toutes les pistes de tous les disques.
Lecture continue (1 DISC)	Toutes les pistes du disque en cours.
Lecture aléatoire (ALL DISCS)	Toutes les pistes de tous les disques dans un ordre aléatoire.
Lecture aléatoire (1 DISC)	Toutes les pistes du disque en cours dans un ordre aléatoire.
Lecture programmée (page 11)	Le même programme.

Autres opérations

Pour	Procédez de la façon suivante
Arrêter la lecture	Appuyez sur ■.
Effectuer une pause	Appuyez sur II . Puis appuyez une nouvelle fois sur II ou sur > pour reprendre la lecture.
Sélectionner une piste	En cours de lecture ou de pause, tournez la molette ◀◀AMS▶▶ dans le sens horaire (pour avancer) ou dans le sens antihoraire pour (pour revenir en arrière) (ou appuyez sur ▶▶ (pour avancer) ou sur ◀◀ (pour revenir en arrière) sur la télécommande (CDP-CE375 uniquement).
Sélectionner une piste directement	Press the number button on the remote (CDP-CE375 only).*
Passer au disque suivant	Appuyez sur DISC SKIP.
Sélectionner un disque directement	Appuyez sur DISC 1 – 5.
Trouver un endroit dans une piste	Maintenez la touche ▶▶ ou ◀◀ enfoncée en cours de lecture et relâchez-la à l'endroit souhaité.
Lire les pistes en ordre aléatoire	Appuyez sur PLAY MODE jusqu'à ce que "SHUFFLE" apparaisse dans la fenêtre d'affichage.
Retirer le CD	Appuyez sur ≡ OPEN/CLOSE.
Régler le volume	Appuyez sur la touche ANALOG OUT LEVEL +/- de la télécommande.

* Pour localiser directement une plage portant un numéro supérieur à 10, Appuyez d'abord sur >10 et ensuite sur les touches numériques correspondantes de la télécommande. Pour taper "0", utilisez la touche 10/0.
Exemple: Pour sélectionner la plage 30 Appuyez d'abord sur >10 et ensuite sur 3 et sur 10/0.

Conseils

- Vous pouvez sélectionner le niveau de sortie analogique à l'aide de la touche ANALOG OUT LEVEL +/- de la télécommande (page 6) (CDP-CE375 uniquement).
- Vous pouvez régler le volume du casque à partir de la télécommande. Pour ce faire, branchez le casque à la prise PHONES et réglez le volume avec ANALOG OUT LEVEL +/- sur la télécommande (CDP-CE375 uniquement).
- S'il n'y a aucun CD dans le lecteur, l'indication "no DISC" apparaît.

Remarques

- Si l'indication "7 7" apparaît dans la fenêtre d'affichage, le disque a atteint la fin alors que vous appuyiez sur **▶▶**. Appuyez sur **◀◀** ou tournez la molette **◀◀AMS▶▶** dans le sens anti-horaire pour revenir en arrière.
- Si vous appuyez sur les touches ANALOG OUT LEVEL +/- de la télécommande en cours d'enregistrement, le niveau d'enregistrement sera modifié même s'il est préréglé sur la platine cassette (CDP-CE375 uniquement).

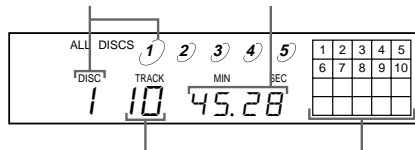
Utilisation de la fenêtre d'affichage CD

Vous pouvez vérifier les informations concernant le disque au moyen de la fenêtre d'affichage.

En mode d'arrêt

Appuyez sur TIME.

Numéro de disque en cours Durée de lecture totale



Nombre total de pistes

Calendrier musical

L'affichage montre le numéro du disque en cours, le nombre total de pistes, la durée de lecture totale et le calendrier musical.

Les informations apparaissent également lorsque vous appuyez sur **≡**OPEN/CLOSE pour refermer le plateau.

Les pistes portant un numéro supérieur à 20 ne peuvent pas être affichées dans le calendrier musical.

Remarques sur les indications des numéros de disques

- Le cercle rouge autour d'un numéro de disque indique que le disque est prêt pour la lecture.
- Lorsque toutes les pistes d'un disque ont été lues, le demi-cercle autour du numéro de disque disparaît.
- Lorsqu'un compartiment à disque est vide, le numéro de disque avec le demi-cercle disparaît.

En cours de lecture normale

Lorsque vous écoutez un disque, le numéro du disque en cours, le numéro de la piste, la durée de lecture de la piste et le calendrier musical s'affichent.

Les numéros de piste apparaissant dans le calendrier musical disparaissent lorsque la piste a été lue.

suite page suivante

Utilisation de la fenêtre d'affichage CD (suite)

Pour vérifier la durée restante

Appuyez sur TIME en cours de lecture

A chaque fois que vous appuyez sur cette touche en cours de lecture d'un disque, l'affichage change de la façon indiquée dans le diagramme ci-dessous.

Durée de lecture de la piste en cours et numéro
→ Durée restante sur la piste en cours →
Durée restante sur le disque

Remarques

- Si le disque comporte plus de 24 pistes, l'indication "-- - -" s'affiche à la place de la durée restante.
- La durée restante du disque s'affiche uniquement lorsque le disque est lu en Lecture Continue.

Remplacement de disques en cours de lecture d'un disque

En cours de lecture d'un disque, vous pouvez ouvrir le plateau pour vérifier les disques suivants et les remplacer par d'autres sans interrompre la lecture du disque en cours.

1 Appuyez sur EX-CHANGE.

Le plateau s'ouvre et deux compartiments à disques apparaissent. Même si le lecteur est en cours de lecture d'un disque, il ne s'interrompt pas.

2 Remplacez les disques dans les compartiments.

Le lecteur lit le disque se trouvant dans le compartiment situé à gauche du disque en cours de lecture, puis il lit celui se trouvant à droite.

3 Appuyez sur DISC SKIP.

Le plateau tourne et deux autres compartiments à disques apparaissent.

4 Remplacez les disques des compartiments.

5 Appuyez sur EX-CHANGE.

Le plateau se referme.

Pendant que le plateau est ouvert en appuyant sur la touche EX-CHANGE

- Si la lecture du disque en cours se termine, le lecteur s'arrête. Si le disque est lu en mode de lecture répétée 1 DISC (voir page 8), la lecture du disque en cours recommence.
- En mode de lecture aléatoire ALL DISCS (voir page 8), les pistes sont lues en mode aléatoire sur le disque en cours.
- En mode de lecture programmée (voir page 11), seules les pistes du disque en cours sont lues.
- **Ne poussez pas le plateau pour le refermer à l'étape 5, vous risqueriez d'endommager le lecteur.**

Programmation des pistes du CD

Vous pouvez définir l'ordre des pistes des disques et créer votre propre programme. Le programme peut contenir jusqu'à 32 "étapes", une "étape" pouvant contenir une piste ou tout un disque.

1 Appuyez plusieurs fois sur **PLAY MODE** jusqu'à ce que l'indication "**PROGRAM**" apparaisse dans la fenêtre d'affichage avant de commencer la lecture.

Si un programme est déjà mémorisé, la dernière étape du programme apparaît dans la fenêtre d'affichage. Si vous voulez supprimer le programme dans son intégralité, maintenez la touche **CLEAR** enfoncée jusqu'à ce que l'indication "**ALL CLR**" apparaisse dans la fenêtre d'affichage (voir page 12).

2 Appuyez sur **DISC 1 – 5** pour sélectionner le disque.

L'indication "**AL**" de la fenêtre d'affichage signifie "toutes" les pistes.

Lorsque vous souhaitez programmer tout le disque comme une seule étape, ignorez l'étape 3, puis passez à l'étape 4.

3 Tournez la molette **◀◀AMS▶▶** jusqu'à ce que la piste souhaitée apparaisse, puis appuyez sur **◀◀AMS▶▶** pour sélectionner la piste.

Le numéro de piste que vous avez programmé, l'ordre de lecture et la durée totale de lecture apparaissent dans la fenêtre d'affichage.

Si vous avez fait une erreur

Appuyez sur la touche **CLEAR**, puis répétez l'étape 2.

Conseil

You can select the track using the number buttons on the remote. To select a track with a number over 10, use >10 (see page 9).

4 Pour programmer d'autres disques ou d'autres pistes, procédez de la façon suivante :

Pour programmer	Répétez l'étape (ou les étapes)
D'autres disques	2
D'autres pistes du même disque	3
D'autres pistes sur d'autres disques	2 et 3

5 Appuyez sur **▷** pour commencer la lecture programmée.

Pour annuler la lecture programmée
Appuyez sur **PLAY MODE**.

Conseils

- Vous pouvez créer votre programme en vérifiant les étiquettes des disques.
Tandis que le plateau est ouvert, suivez les étapes 1 à 4 en appuyant sur la touche **DISC SKIP** pour vérifier les étiquettes des disques. Si vous fermez le plateau avant l'étape 5, la durée de lecture totale apparaît dans la fenêtre d'affichage après un instant. Notez que si le numéro de piste programmé n'est pas trouvé sur le disque, cette étape est automatiquement supprimée.
- Le programme reste en mémoire même après la fin de la lecture programmée. Lorsque vous appuyez sur la touche **▷**, vous pouvez réécouter le même programme.
- Le programme reste en mémoire jusqu'à ce qu'il soit effacé ou mis hors tension du lecteur. Si vous remplacez des disques, les numéros de disques et de pistes programmés restent en mémoire. Ainsi, le lecteur ne lit que les numéros de disques et de pistes existants. Cependant, les numéros de disques et de pistes qui ne sont pas trouvés dans le lecteur ou sur le disque sont supprimés du programme et le reste du programme est lu dans l'ordre programmé.
- Pour l'enregistrement sur la face A ou B de la bande de la cassette, vous pouvez effectuer une pause dans la lecture programmée.

Remarque

La durée de lecture totale n'apparaît pas lorsque :

- Vous avez programmé une piste dont le numéro est supérieur à 20.
- La durée totale de lecture du programme dépasse 200 minutes.

Vérification de l'ordre des pistes

Vous pouvez vérifier votre programme avant ou après le début de la lecture.

Appuyez sur **CHECK**.

A chaque fois que vous appuyez sur cette touche, l'affichage montre la piste (le numéro du disque et de la piste) ou le disque (le numéro du disque et l'indication "**AL**") de chacune des étapes dans l'ordre programmé. Après la dernière étape du programme, l'affichage indique "**End**" et revient à l'affichage normal. Si vous vérifiez l'ordre après avoir commencé la lecture, l'affichage montre uniquement les étapes restantes.

Programmation des pistes du CD (suite)

Modification de l'ordre des pistes

Vous pouvez modifier votre programme avant le début de la lecture.

Pour	Vous devez
Effacer une piste	Appuyer sur CHECK jusqu'à ce que la piste que vous souhaitez effacer apparaisse, puis appuyez sur CLEAR.
Effacer la dernière piste du programme	Appuyer sur CLEAR. A chaque fois que vous appuyez sur cette touche, la dernière piste est effacée.
Ajouter des pistes à la fin du programme	Suivre les étapes 2 à 4 de la procédure de programmation.
Modifier le programme dans son intégralité	Maintenir la touche CLEAR enfoncée jusqu'à ce que l'indication "ALL CLR" apparaisse dans la fenêtre d'affichage. Créez un nouveau programme en suivant la procédure de programmation.

Fondu enchaîné

Vous pouvez manuellement baisser ou augmenter le son au début et/ou à la fin d'une piste pour empêcher que les pistes ne commencent ou ne finissent de façon trop brutale.

Notez que vous ne pouvez pas utiliser cet effet lorsque vous utilisez le connecteur DIGITAL OUT (OPTICAL).

Pour	Appuyez sur FADER
Commencer la lecture avec le fondu enchaîné	En cours de pause, l'indication "FADE" clignote. La lecture est effectuée avec un fondu enchaîné.
Terminer la lecture avec le fondu enchaîné	Lorsque vous voulez diminuer progressivement le son à la fin d'une lecture. L'indication "FADE" clignote. Puis la lecture est effectuée avec un fondu enchaîné et le lecteur s'arrête.

Enregistrement d'un CD en spécifiant la longueur de la bande (Time Edit)

Le lecteur peut créer un programme correspondant à la durée de la bande.

Le lecteur crée automatiquement un programme en conservant l'ordre d'origine du disque.

Le programme peut contenir jusqu'à 32 étapes (une pause entre deux étapes étant considérée comme une étape).

Notez que les pistes portant un numéro supérieur à 20 ne peuvent pas être programmées automatiquement.

- 1 Appuyez sur **DISC SKIP** pour sélectionner le disque.
- 2 Appuyez plusieurs fois sur **TIME EDIT** avant de commencer la lecture jusqu'à ce que l'indication "EDIT" apparaisse et que l'indication "A" clignote dans la **[X]** ifenêtre d'affichage.
- 3 Appuyez sur **◀** ou **▶** pour spécifier la longueur de la bande.

A chaque fois que vous appuyez sur ces touches, l'affichage change de la façon indiquée ci-dessous, la longueur de bande d'une face de cassette apparaissant après chaque indication.

```

C-46 23.00 ↔ C-54 27.00 ↔ C-60 30.00
      ↓                               ↓
- - - ↔ C-90 45.00 ↔ C-74 37.00
  
```

- 4 Appuyez sur **TIME EDIT** pour que le lecteur crée le programme.

L'affichage montre les pistes à enregistrer. "B" clignote dans la **[X]** fenêtr d'affichage.

- 5 Lorsque vous enregistrez les deux faces de la bande, appuyez une nouvelle fois sur **TIME EDIT**.

Le lecteur insère une pause, puis crée le programme de la face B. L'affichage montre les pistes programmées.

Lorsque vous effectuez un enregistrement sur une face de la cassette, ignorez cette étape.

6 Commencez l'enregistrement sur la platine, puis appuyez sur la touche ▷ du lecteur.

7 Passez à la bande de la face B et appuyez sur la touche ▷ ou ■ sur le lecteur pour reprendre la lecture des pistes restantes.

Pour annuler Time Edit
Appuyez sur PLAY MODE.

Conseils

- Vous pouvez programmer les pistes que vous souhaitez à l'avance. Créez un programme en sélectionnant les piste souhaitées, puis suivez les étapes 2 à 7. Prenez garde que la durée totale de lecture du programme n'excède pas la longueur de bande d'une face de cassette.
- Vous pouvez définir la longueur de bande de votre choix à l'aide de ◀◀ AMS ▷▷.

Exemple: Lorsque la longueur de bande d'une face de cassette est de 30 minutes et 15 secondes

1 Pour régler les minutes, tournez ◀◀ AMS ▷▷ jusqu'à ce que l'indication "30" apparaisse dans la fenêtre d'affichage, puis appuyez sur ◀◀ AMS ▷▷.

2 Pour régler les secondes, tournez ◀◀ AMS ▷▷ jusqu'à ce que l'indication "15" apparaisse dans la fenêtre d'affichage, puis appuyez sur ◀◀ AMS ▷▷.

- Pour vérifier et modifier votre programme, reportez-vous aux pages 11 et 12.

Réglage du niveau d'enregistrement (Recherche de crête)

Le lecteur repère le niveau de son le plus élevé parmi les pistes à enregistrer afin de vous permettre de régler le niveau d'enregistrement avant le commencement de l'enregistrement.

1 Avant de commencer l'écoute, appuyez sur PEAK SEARCH.

L'indication "PEAK" clignote dans la fenêtre d'affichage et le lecteur commence le balayage du disque à la recherche du niveau de son le plus élevé.

Après avoir effectué un balayage de toutes les pistes, le lecteur répète la portion avec le niveau de son le plus élevé.

2 Réglez le niveau d'enregistrement de la platine.

3 Appuyez sur la touche ■ du lecteur pour arrêter la recherche.

L'indication "PEAK" disparaît de la fenêtre d'affichage.

Remarques

- La portion avec le niveau de son le plus élevé peut être différente à chaque fois que vous essayez d'effectuer le réglage sur le même disque. La différence est cependant si infime que vous n'aurez aucun problème à ajuster le niveau d'enregistrement de façon précise.
- La recherche de crête ne fonctionne pas lorsque vous ouvrez le plateau de disques à l'aide de la touche EX-CHANGE.

Précautions

Sécurité

- Attention : l'utilisation d'instruments optiques avec ce produit peut augmenter les risques oculaires.
- En cas de chute d'un objet solide ou d'un liquide dans le boîtier, débranchez le lecteur et faites-le vérifier par un personnel qualifié avant de le réutiliser.
- Les disques de forme non standard (par exemple, cœur, carré, étoile) ne peuvent pas être lus sur cet appareil. Essayez de les lire pourriez endommager l'appareil. N'utilisez pas de tels disques.

Sources d'alimentation

- Avant d'utiliser le lecteur, vérifiez que la tension de fonctionnement du lecteur est identique à votre alimentation secteur locale. La tension de fonctionnement est indiquée sur la plaque portant le nom du modèle à l'arrière du lecteur.
- Le lecteur n'est pas déconnecté de la source d'alimentation secteur tant qu'il est raccordé à la prise murale, même s'il a lui-même été mis hors tension.
- Si vous n'avez pas l'intention d'utiliser le lecteur pendant une période prolongée, veillez à le déconnecter de la prise murale. Pour déconnecter le cordon d'alimentation secteur (câble secteur), saisissez la prise, ne tirez jamais sur le cordon.
- Le cordon d'alimentation secteur doit être changé uniquement dans un atelier d'entretien qualifié.

Emplacement

- Placez le lecteur dans un emplacement avec une ventilation adéquate pour éviter une surchauffe de l'appareil.
- Ne placez pas le lecteur sur une surface molle, comme un tapis, qui pourrait obstruer les trous de ventilation situés dans la partie inférieure de l'appareil.
- Ne placez pas le lecteur à proximité de sources de chaleur ou dans un endroit soumis directement aux rayons du soleil, à une poussière excessive ou à des chocs mécaniques.

Fonctionnement

- Si le lecteur passe directement d'un environnement froid à un environnement chaud ou s'il est placé dans une pièce très humide, de la condensation peut se former sur les lentilles à l'intérieur du lecteur. Si cela se produit, il est possible que le lecteur ne fonctionne pas correctement. Dans ce cas, retirez le disque et laissez le lecteur fonctionner pendant environ une heure jusqu'à évaporation de l'humidité.

Réglage du volume

- N'augmentez pas le volume si vous écoutez une partie avec des entrées d'un niveau très faible ou sans signaux audio. Si vous le faites, les enceintes risquent d'être endommagées lorsqu'une partie avec un niveau de son très élevé est lue.

Nettoyage

- Nettoyez le boîtier, le panneau et les commandes avec un chiffon doux, légèrement humidifié avec une solution détergente douce. N'utilisez pas de tampon abrasif, de poudre détergente ou de solvant comme de l'alcool ou du benzène.

Si vous avez des questions ou des problèmes concernant votre lecteur, consultez votre revendeur Sony le plus proche.

Remarques sur les CD

Manipulation des CD

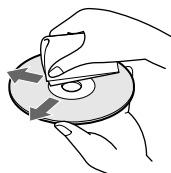
- Pour garder les disques propres, prenez-les par les bords. N'en touchez pas la surface.
- Ne collez pas de papier ou de ruban adhésif sur le disque.



- N'exposez pas le disque en plein soleil ou près d'une source de chaleur comme des conduites d'air chaud, ne le laissez pas dans un véhicule stationné en plein soleil car les températures peuvent considérablement augmenter à l'intérieur du véhicule.
- N'utilisez pas de stabilisateur disponible dans le commerce. Le disque et le lecteur risqueraient d'être endommagés.
- Après la lecture, rangez le disque dans son boîtier.

Nettoyage

- Avant la lecture, nettoyez le disque avec un chiffon de nettoyage. Essayez le disque en partant du centre vers l'extérieur.



- N'utilisez pas de solvants comme du benzène, du dissolvant, des nettoyeurs disponibles dans le commerce ou du spray antistatique destiné aux disques vinyles.

Remarques concernant la lecture d'un CD-R/CD-RW

- Il est possible que certains disques enregistrés avec un graveur CD-R/CD-RW ne puissent pas être reproduits en raison de rayures, de souillures, de leurs conditions d'enregistrement ou des caractéristiques techniques du graveur. En outre, les disques qui ne sont pas finalisés à la fin de l'enregistrement ne peuvent pas être reproduits.

Dépannage

Si vous vous trouvez confronté à l'un des problèmes décrits ci-après en cours de fonctionnement du lecteur, utilisez ce guide de dépannage pour vous aider à y remédier. Si le problème persistait, consultez votre revendeur Sony le plus proche.

Aucun son n'est émis.

- Vérifiez que le lecteur est raccordé correctement.
- Assurez-vous que vous utilisez l'amplificateur correctement.
- Réglez le niveau de sortie analogique à l'aide de la touche ANALOG OUT LEVEL +/- de la télécommande (CDP-CE375 uniquement).


Le CD n'est pas lu.

- Il n'y a pas de CD dans le lecteur. L'indication "no DISC" apparaît. Insérez un CD.
- Placez correctement le CD avec l'étiquette vers le haut sur le plateau.
- Nettoyez le CD (voir page 14).
- De l'humidité s'est formée dans le lecteur. Retirez le disque et laissez le lecteur sous tension pendant environ une heure.
- Placez le CD dans la position correcte sur le plateau.

Le niveau d'enregistrement a changé.

- Le niveau d'enregistrement change si vous réglez le niveau de sortie analogique à l'aide de la touche ANALOG OUT LEVEL +/- de la télécommande pendant l'enregistrement (CDP-CE375 uniquement).

La télécommande ne fonctionne pas (CDP-CE375 uniquement).

- Retirez les obstacles entre la télécommande et le lecteur.
- Dirigez la télécommande vers le capteur  du lecteur.
- Remplacez toutes les piles de la télécommande si elles sont faibles.

Le lecteur ne fonctionne pas correctement.

- Les puces du micro-ordinateur ne fonctionnent peut-être pas correctement. Mettez l'appareil hors tension, puis sous tension pour le réinitialiser.

Spécifications

Lecteur de disques compacts

Laser	Laser à semi-conducteur ($\lambda = 780 \text{ nm}$) Durée d'émission : continue
Plage de fréquence	2 Hz à 20 Hz \pm 0,5 db
Plage dynamique	Supérieure à 93 dB
Distorsion harmonique	Inférieure à 0,0045 %

Sorties

	Type de prise	Niveau de sortie maximal	Impédance de charge
ANALOG OUT	Prises phono	2 V (à 50 kilohms)	Supérieure à 10 kilohms
DIGITAL OUT (OPTICAL)	Connecteur de sortie optique	-18 dBm	Longueur d'onde : 660 nm
PHONES	Prise phono stéréo	10 mW	32 ohms

Caractéristiques générales

Puissance de raccordement	120 V CA, 60 Hz
Consommation électrique	11 W
Dimensions hors tout (l/h/p)	430 x 110 x 400 mm (17 x 4 3/8 x 15 3/4 in.) parties saillantes comprises
Masse (approx.)	5kg (11 lbs 1 oz)

Accessoires fournis

Câble audio (2 fiches phono – 2 fiches phono) (1)
Télécommande (1) (CDP-CE375 uniquement)
Piles R6 (AA) (2) (CDP-CE375 uniquement)

La conception et les spécifications sont sujettes à modifications sans préavis.

