

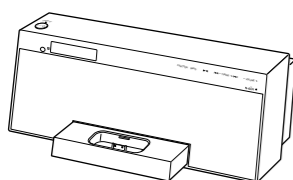
# Quick Setup Guide

AIR-SW10Ti

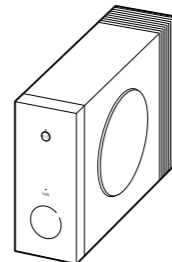
©2009 Sony Corporation Printed in China

## Check the package contents

Main unit



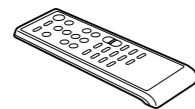
Subwoofer



Wireless transceivers



Remote



R03 (size AAA) batteries



FM/DAB lead antenna



Universal Dock Adapters for iPhone

12 : for iPhone

15 : for iPhone 3G

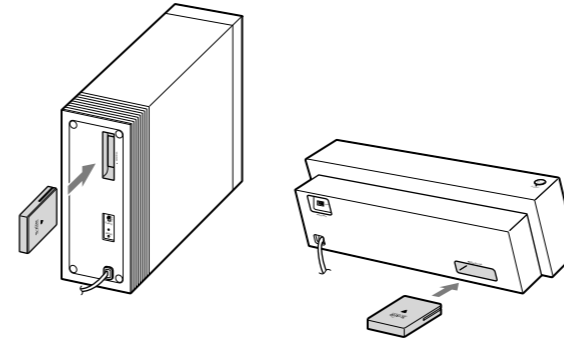


Operating Instructions  
Warranty

The adapter number is shown on the bottom of Dock Adapter.  
For iPod models expect iPhone and iPhone 3G, use the adapter supplied with your iPod, or purchase a compatible Dock Adapter from Apple Inc.

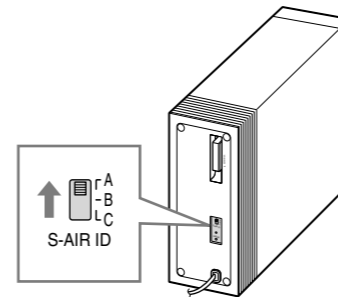
## 1 Enable wireless transmission

1. Insert the wireless transceivers into the main unit and subwoofer.



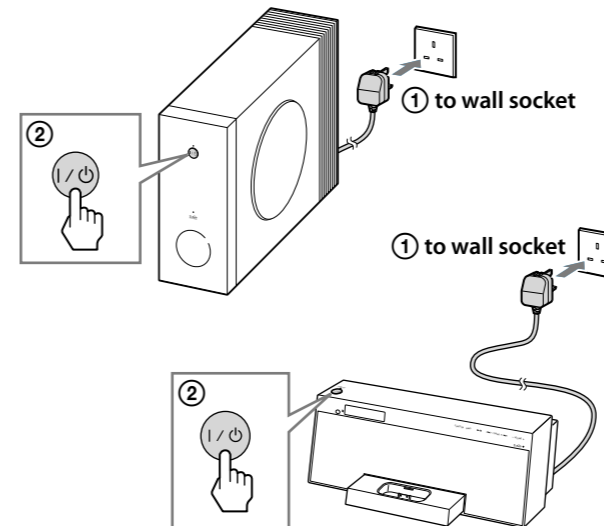
Insert securely until they click.

2. Set the S-AIR ID on the subwoofer to "A."



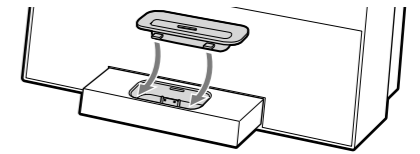
The S-AIR ID on the main unit is set to "A" in SYSTEM MENU at the factory.

3. Connect the AC power cords (1), and turn on the power (2).

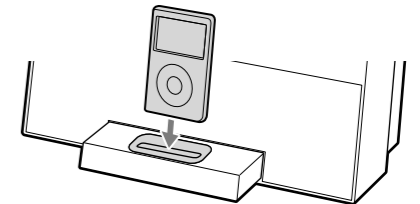


## 2 Attach the iPod/iPhone

1. Insert a Universal Dock Adapter.

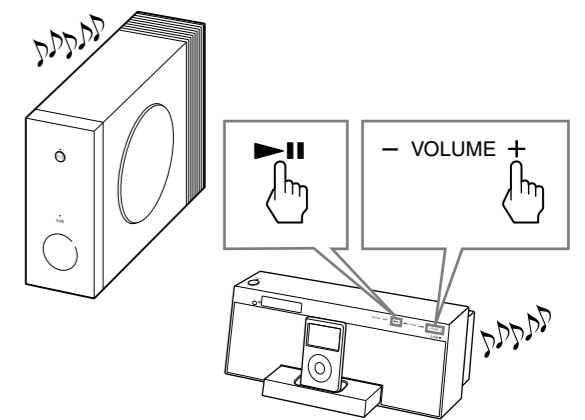


2. Place the iPod/iPhone.



## 3 Play a track

Press **▶||** to start playing the iPod/iPhone, and press **VOLUME+** to adjust the volume.



You can enjoy listening to iPod/iPhone using the S-AIR connection.

• For the operation of iPod/iPhone, refer to the user's guide of your iPod/iPhone.  
• For more details, including how to operate the tuner and other functions, refer to the Operating Instructions supplied with this system.