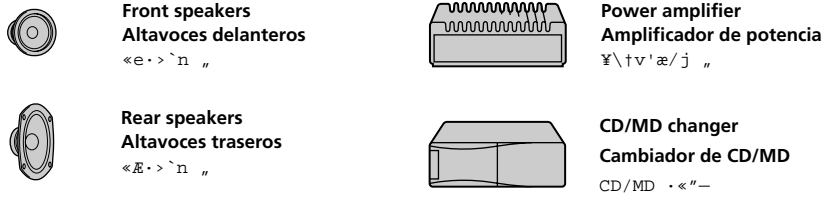


Equipment used in illustrations (not supplied)
Equipo utilizado en las ilustraciones (no suministrado)



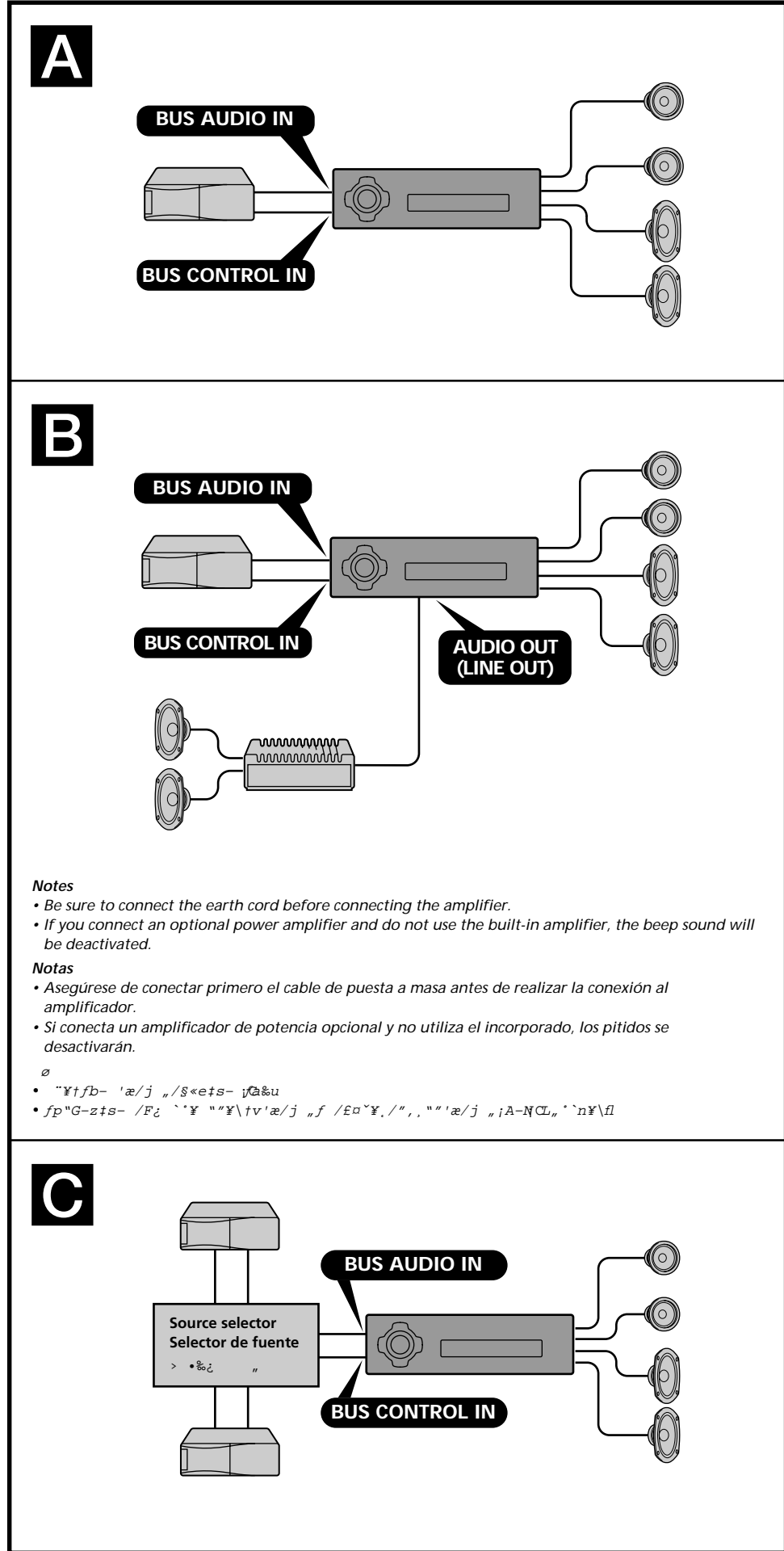
For connecting two or more changers, the source selector XA-C30 (optional) is necessary.
Cuando desee conectar dos o más cambiadores, necesitará un selector de fuente XA-C30 (opcional).

FM/AM Cassette Car Stereo

Installation/Connections

Instalación/Conexiones

For details, see the manual.

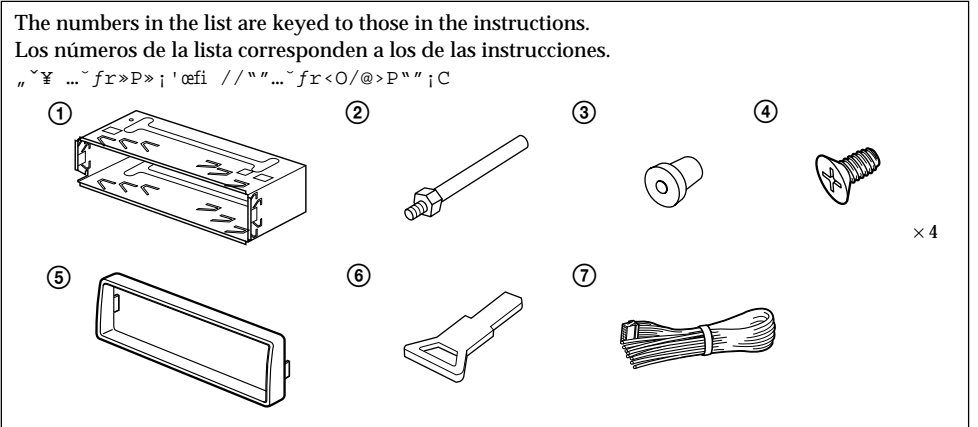


- Notes**
- Be sure to connect the earth cord before connecting the amplifier.
 - If you connect an optional power amplifier and do not use the built-in amplifier, the beep sound will be deactivated.
- Notas**
- Asegúrese de conectar primero el cable de puesta a masa antes de realizar la conexión al amplificador.
 - Si conecta un amplificador de potencia opcional y no utiliza el incorporado, los pitidos se desactivarán.

XR-C2600

Sony Corporation © 2000 Printed in Malaysia

Parts list Lista de componentes



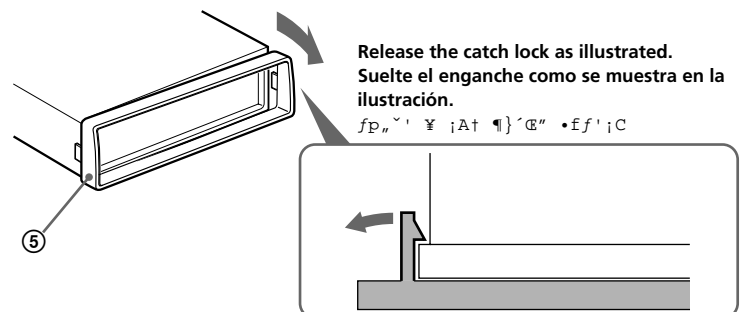
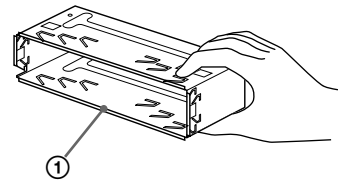
The release key ⑥ is used for dismantling the unit. See the operating instructions manual for details.
La llave de liberación ⑥ se utiliza para desmontar la unidad. Con respecto a los detalles, consulte el manual de instrucciones.

Cautions

- Cautionary notice for handling the bracket ①.
Handle the bracket carefully to avoid injuring your fingers.
- Remove the protection collar ⑤ before installing.

Precauciones

- Advertencia sobre la manipulación del soporte ①.
Tenga mucho cuidado al manipular el soporte para evitar posibles lesiones en los dedos.
- Retire el collar de protección ⑤ antes de realizar la instalación.



Installation

Instalación

fw, ,

Precautions

- Choose the installation location carefully so that the unit will not interfere with normal driving.
- Avoid installing the unit in areas subject to dust, dirt, excessive vibration, or high temperatures, such as in direct sunlight or near heater ducts.
- Use only the supplied mounting hardware for a safe and secure installation.

Mounting angle adjustment

Adjust the mounting angle to less than 20°.

Precauciones

- Elija cuidadosamente el lugar de montaje de forma que la unidad no interfiera las funciones normales de conducción.
- Evite instalar la unidad donde pueda quedar sometida a altas temperaturas, como a la luz solar directa o al aire caliente de calefacción, o a polvo, suciedad, o vibraciones excesivas.
- Para realizar una instalación segura y firme, utilice solamente la ferretería de montaje suministrada.

Ajuste del ángulo de montaje

Ajuste el ángulo de montaje a menos de 20°.

α √ √ , « e ¶ " " ' • N

- √ » ∞ - ' æfb / £ § « ^ " √ q r p / § † B ; C
- ` § K - N √ » ' æfb " • - / § † B ; A f p ¶ § √ æ " ∞ - • fig ; B • xfi « e ; B ' . f
- fh ; B ~ ... ¶ ^ ; A √ H / . • √ ' □ _ ' √ fa / £ ; C
- < / Ffw √ / . √ i a " " fw , . _ □ f ; A > □ √ √ . " - a " " † ; √ ; C

fw , □ / « / § ∞ a
∞ - fb 20 ∞ √ H / " ∞ a fw , □ / « ; C

How to detach and attach the front panel

Before installing the unit, detach the front panel.

A To detach

Before detaching the front panel, be sure to press (OFF). Press (RELEASE), then slide the front panel a little to the left, and pull it off towards you.

B To attach

Attach part (A) of the front panel to part (B) of the unit as illustrated and push the left side into position until it clicks.

Forma de extraer e instalar el panel frontal

Antes de instalar la unidad, extraiga el panel frontal.

A Para extraerlo

Antes de extraer el panel frontal, asegúrese de presionar (OFF). Presione (RELEASE), deslice el panel ligeramente hacia la izquierda y tire de él hacia fuera.

B Para instalarlo

Coloque el orificio (A) del panel frontal en el eje (B) de la unidad, como se muestra en la ilustración, y después presione la parte izquierda hasta que encaje.

fpf ' □ † ' M , , t « e " O

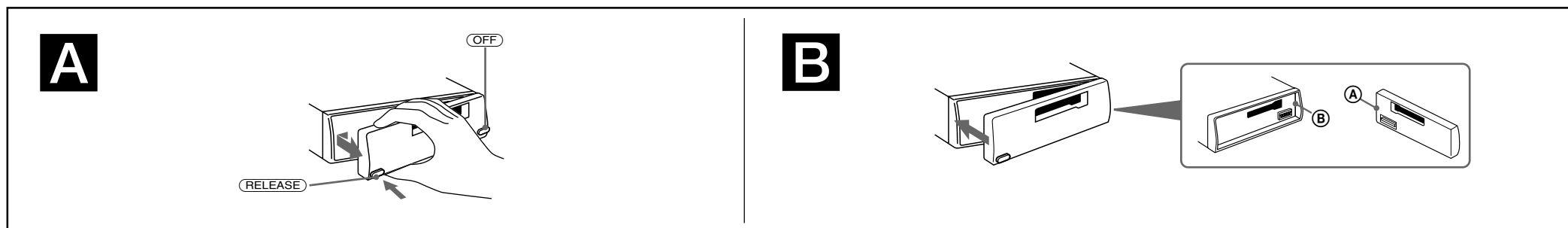
fw , √ » / § « e ; A ∞ - √ ' □ † « e " O ; C

A ' □ †

' □ † « e " O / § « e ; A " √ † « (OFF) ` ; C M « E ; A « (RELEASE) ` ; A - N « e " O y • Lfv √ " ^ • " ' ; A • - z f / v " " / £ fV' √ X ; C

B , , t

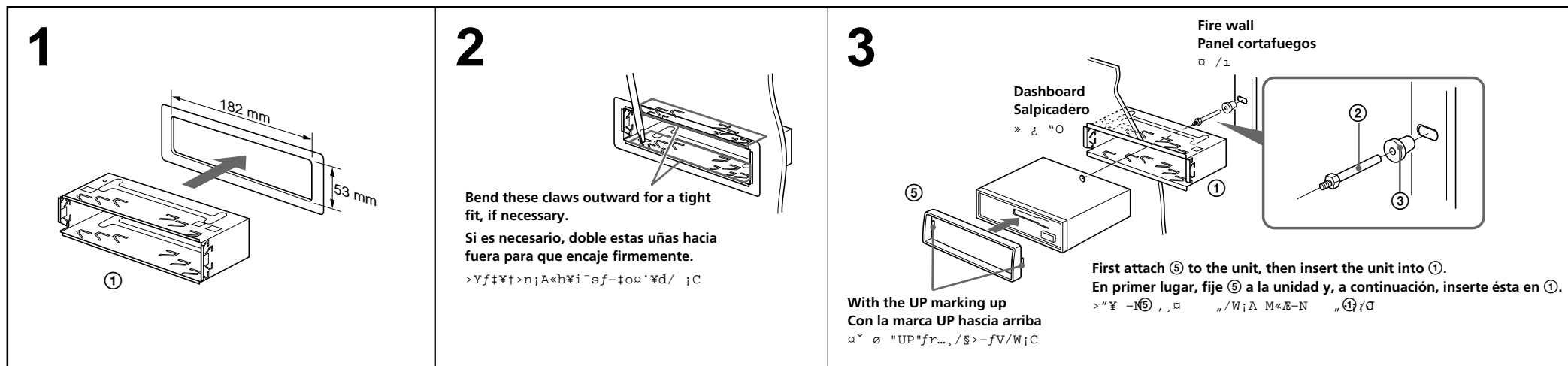
fp " √ ' √ ; A - N « e " (A) † B , " • √ » (B) † B ; A M « E - N √ " ... - / J " ∞ f - √ □ † † ` n ; C



Installation in the dashboard

Instalación en el salpicadero

fw , , fb » ε " O ,



Mounting the unit in a Japanese car

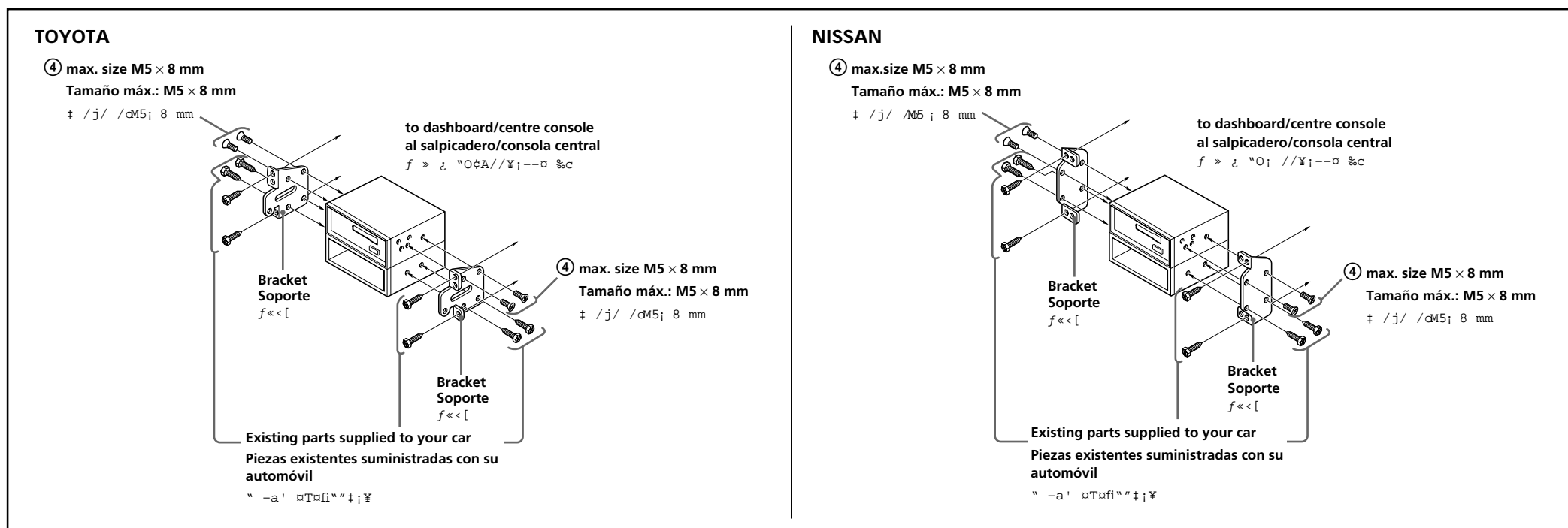
You may not be able to install this unit in some makes of Japanese cars. In such a case, consult your Sony dealer.

Montaje de la unidad en un automóvil japonés

Es posible que no pueda instalar esta unidad en algunos automóviles japoneses. En tal caso, consulte a su proveedor Sony.

- N √ » fw , , ' / Ø √ » † £ □ T o fi ,

f † " " / Ø √ » † £ □ T o fi / £ fl fw , , √ » ; A f , fi ; A ∞ - < ç , S o n y e " P ; C



Nota
To prevent malfunction, install only with the supplied screws (4).

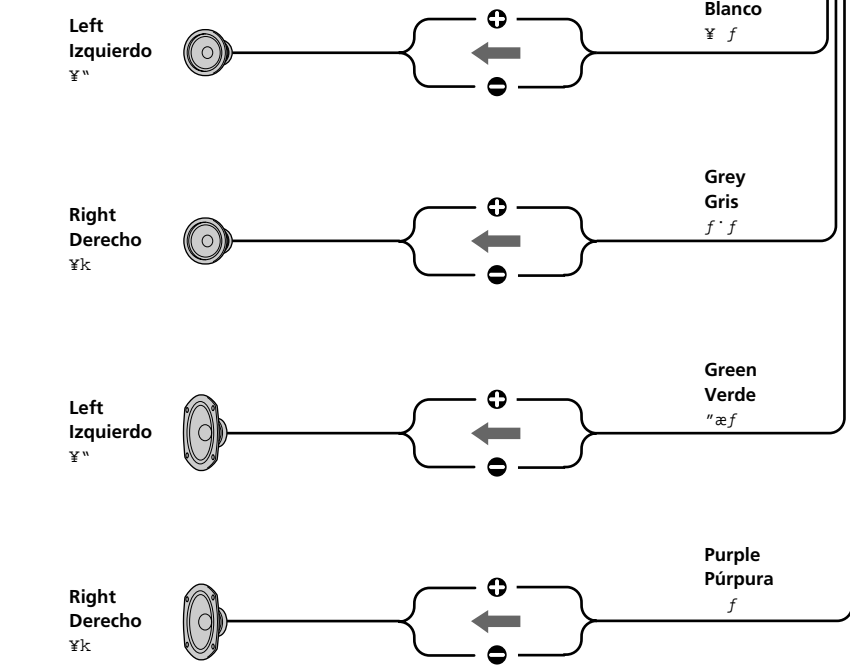
Nota
Para evitar un funcionamiento incorrecto, utilice sólo los tornillos suministrados (4).

∞
< □ / o √ " < G » ; A fw , , fi √ ufl □ √ √ . " - a (4) ; C •

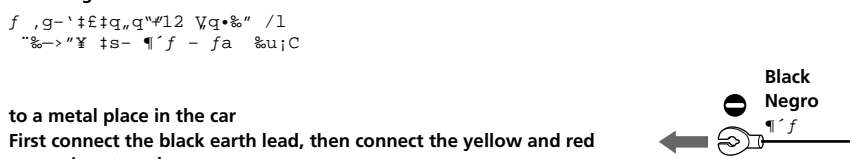
Connection example Ejemplo de conexiones

Model number: XR-C2600

to the interface cable of a car telephone
al cable de interfaz de un teléfono para automóvil



to the +12 V power terminal which is energized at all times
Be sure to connect the black earth lead first.
a un terminal de alimentación de +12 V que esté permanentemente activado
Asegúrese de conectar primero a este terminal el conductor de puesta a masa negro.



to a metal place in the car
First connect the black earth lead, then connect the yellow and red power input leads.
a un punto metálico del automóvil
En primer lugar, conecte el conductor de puesta a masa negro y, a continuación, los cables de entrada de alimentación amarillo y rojo.



Notes on the control and power supply leads
• The power aerial control lead (blue) supplies +12 V DC when you turn on the unit.
• When your car has a built-in FM/AM aerial in the rear/side glass, it is necessary to connect the power aerial control lead (blue) or the accessory power input lead (red) to the power terminal of the existing aerial booster. For details, consult your dealer.
• A power aerial without a relay box cannot be used with this unit.

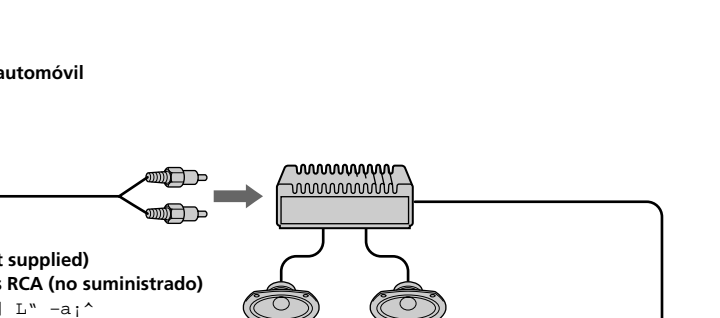
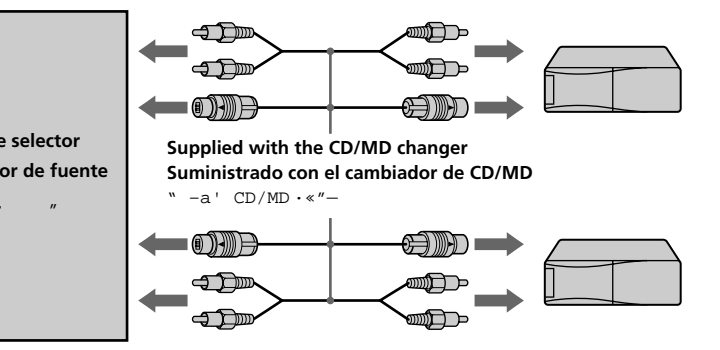
Memory hold connection
When the yellow power input lead is connected, power will always be supplied to the memory circuit even when the ignition switch is turned off.

Notes on speaker connection
• Before connecting the speakers, turn the unit off.
• Use speakers with an impedance of 4 to 8 ohms, and with adequate power handling capacities. Otherwise, the speakers may be damaged.
• Do not connect the terminals of the speaker system to the car chassis, and do not connect the terminals of the right speaker with those of the left speaker.
• Do not attempt to connect the speakers in parallel.
• Do not connect any active speakers (with built-in amplifiers) to the speaker terminals of the unit. Doing so may damage the active speakers. Be sure to connect passive speakers to these terminals.

Notas sobre los cables de control y de fuente de alimentación
• El conductor de control de la antena motorizada (azul) suministrará +12 V CC cuando conecte la alimentación de la unidad.
• Si se ha instalado una antena de recepción de FM/AM en el cristal trasero lateral del automóvil, es necesario conectar el cable de control de la antena motorizada (azul) o el cable auxiliar de entrada de alimentación (rojo) al terminal de alimentación del amplificador de antena existente. Para obtener información detallada, consulte a su proveedor.
• Con esta unidad no podrá emplearse una antena motorizada desprovista de caja de relé.

Conexión para protección de la memoria
Si conecta el cable de entrada de alimentación amarillo, el circuito de la memoria siempre recibirá alimentación, aunque ponga la llave de encendido en la posición de apagado.

Notas sobre la conexión de los altavoces
• Antes de conectar los altavoces, desconecte la alimentación de la unidad.
• Utilice altavoces con una impedancia de 4 a 8 Ohmios, y con la potencia máxima admisible adecuada, ya que de lo contrario podría dañarlos.
• No conecte los terminales del sistema de altavoces al chasis del automóvil, ni los del altavoz izquierdo a los del derecho.
• No intente conectar los altavoces en paralelo.
• No conecte altavoces activos (con amplificadores incorporados) a los terminales de altavoces de la unidad. Si lo hiciera, podría dañar tales altavoces. Por lo tanto, cerciórese de conectar altavoces pasivos a estos terminales.



to the power aerial control lead or power supply lead of aerial booster amplifier
Notes
• It is not necessary to connect this lead if there is no power aerial or aerial booster, or with a manually-operated telescopic aerial.
• When your car has a built-in FM/AM aerial in the rear/side glass, see "Notes on the control and power supply leads."

to the +12 V power terminal which is energized at the accessory position of the ignition key switch
Notes
• If there is no accessory position, connect to the +12 V power (battery) terminal which is energized at all times. Be sure to connect the black earth lead to it first.
• When your car has a built-in FM/AM aerial in the rear/side glass, see "Notes on the control and power supply leads."

to the +12 V power terminal which is energized at the accessory position of the ignition key switch
Notes
• If there is no accessory position, connect to the +12 V power (battery) terminal which is energized at all times. Be sure to connect the black earth lead to it first.
• When your car has a built-in FM/AM aerial in the rear/side glass, see "Notes on the control and power supply leads."

to the +12 V power terminal which is energized at the accessory position of the ignition key switch
Notes
• If there is no accessory position, connect to the +12 V power (battery) terminal which is energized at all times. Be sure to connect the black earth lead to it first.
• When your car has a built-in FM/AM aerial in the rear/side glass, see "Notes on the control and power supply leads."

to the +12 V power terminal which is energized at the accessory position of the ignition key switch
Notes
• If there is no accessory position, connect to the +12 V power (battery) terminal which is energized at all times. Be sure to connect the black earth lead to it first.
• When your car has a built-in FM/AM aerial in the rear/side glass, see "Notes on the control and power supply leads."

to the +12 V power terminal which is energized at the accessory position of the ignition key switch
Notes
• If there is no accessory position, connect to the +12 V power (battery) terminal which is energized at all times. Be sure to connect the black earth lead to it first.
• When your car has a built-in FM/AM aerial in the rear/side glass, see "Notes on the control and power supply leads."

to the +12 V power terminal which is energized at the accessory position of the ignition key switch
Notes
• If there is no accessory position, connect to the +12 V power (battery) terminal which is energized at all times. Be sure to connect the black earth lead to it first.
• When your car has a built-in FM/AM aerial in the rear/side glass, see "Notes on the control and power supply leads."