

# Cassette Player

Operating Instructions  
XXXX

**WALKMAN**  
WM-EX600



Sony Corporation © 1999 Printed in Malaysia

WALKMAN is a registered trademark of Sony Corporation.  
XXXXXXXXXX

Sony online <http://www.world.sony.com/>

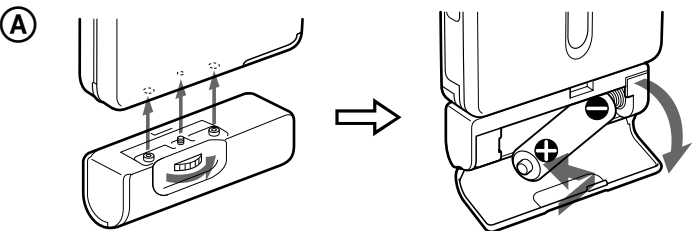
## WARNING

To prevent fire or shock hazard, do not expose the unit to rain or moisture.

XXX

XXXXXX  
XXXXXX

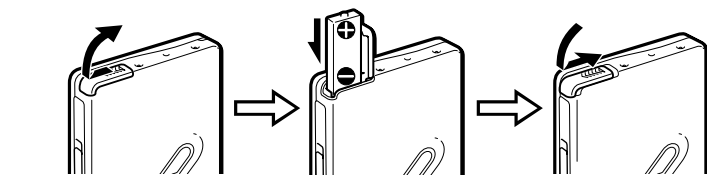
**A**



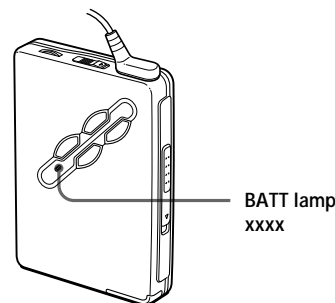
**B**



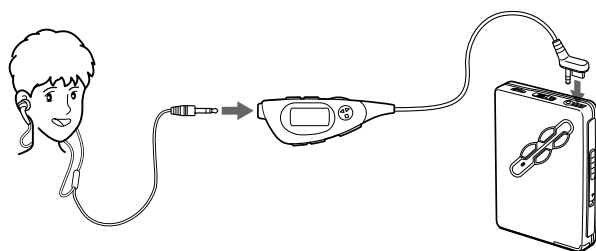
**C**



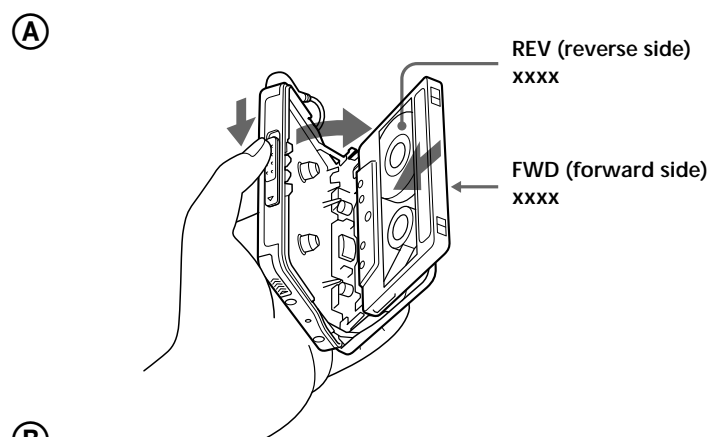
**D**



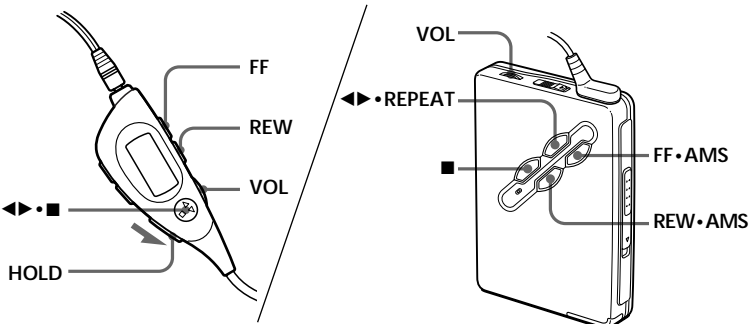
**B**



**C**



**B**



English

## Getting Started

### Choosing a Power Source

#### Dry Battery (see Fig. A-A)

Attach the supplied battery case, and then insert one R6 (size AA) battery with correct polarity. Be sure to insert it from the side as illustrated.

#### Note

- For maximum performance we recommend that you use a Sony alkaline battery.

#### Rechargeable Battery (see Fig. A-B)

- Insert the supplied rechargeable battery (NC-6WM) into the charger with correct polarity.
- Plug in the charger to the house current (mains). The full charging time depends on the voltage of your mains. 110 V: 10 hours 220 V: 2.5 hours
- Insert the fully charged battery into the rechargeable battery compartment (see Fig. A-C).

You can charge the battery about 300 times.

#### When to replace/charge the battery (see Fig. A-D)

The BATT lamp on the main unit and the battery remainder mark in the display has 3 steps to show the remaining battery power. When the battery is exhausted, tape playback will become unstable and noisy, and then the tape will stop. Replace or charge the battery when flashes in the display on the remote control or when the BATT lamp on the main unit goes off.

BATT lamp	Display	Condition
		There is enough battery power.
		The battery power is decreasing.
		The battery is exhausted. Replace it with a new battery.

#### Notes

- When you insert a charged battery, the battery remainder mark may show or the BATT lamp may light up even if it is not fully charged. But the actual battery life will be shorter.
- The battery remainder mark may temporarily show a lower level during fast forwarding or rewinding or use in extremely low temperatures.

### Battery life (Approx. hours) (EIAJ\*)

Rechargeable NC-6WM fully charged	12
Sony alkaline LR6 (SG)	39
Rechargeable NC-6WM	50
Sony alkaline LR6 (SG) used together	

\* Measured value by the standard of EIAJ (Electronic Industries Association of Japan). (Using a Sony HF series cassette tape)

#### Note

- The battery life may shorten depending on the operation of the unit.

### Connecting the Earphones (see Fig. B)

- Connect the stereo mini plug firmly to the remote control.
- Connect the remote control firmly to .
- Wear the "L" marked side to the left ear and the "R" marked side to the right ear. If the earphones do not fit to your ears or the sound is unbalanced, adjust the earphones to fit to your ears firmly.

### Operating the Walkman

#### Playing a Tape

- Open the cassette holder and insert a cassette (see Fig. C-A).
- Press (play) (stop) on the remote control and adjust the volume with VOL (On the main unit, press (see Fig. C-B).

**When adjusting the volume on the Walkman**  
Set the VOL control on the remote control at maximum.

**When adjusting the volume on the remote control**  
Set the VOL control on the Walkman to around 6.

#### Note on the cassette holder

When opening the cassette holder, make sure the tape is stopped, then slide the OPEN switch. If the cassette holder is opened when the tape is running, the tape may loosen and be damaged.

### Operation on the remote control

To	Press (display)
Play the other side	2 seconds or more during playback ("F (forward)" or "R (reverse)" appears according to the playing side)
Stop playback	once during playback
Fast forward*	FF during stop ("FF" appears)
Rewind*	REW during stop ("REW" appears)
Repeat the current track (Repeat Single Track function)	twice during playback To stop a single repeat, press   once
Play the other side from the beginning (Skip Reverse function)	FF 2 seconds or more during stop ("FF" flashes)
Play the same side from the beginning (Rewind Auto Play function)	REW 2 seconds or more during stop ("REW" flashes)

\* If on the remote control is pressed during fast forward or rewind, the Walkman switches to playback.

### Operation on the main unit

To	Press
Play the other side	REPEAT during playback
Stop playback	
Fast forward	FF • AMS during stop
Rewind	REW • AMS during stop
Repeat the current track (Repeat Single Track function)	REPEAT 2 seconds or more during playback To stop a single repeat, press it again.
Play the other side from the beginning (Skip Reverse function)	FF • AMS 2 seconds or more during stop
Play the same side from the beginning (Rewind Auto Play function)	REW • AMS 2 seconds or more during stop

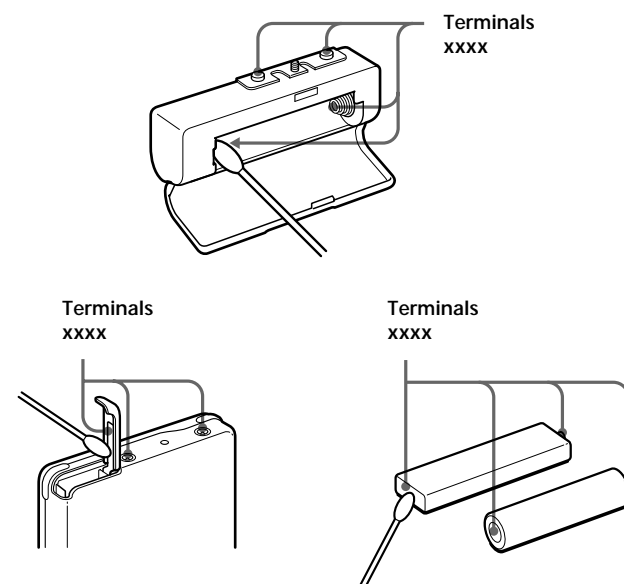
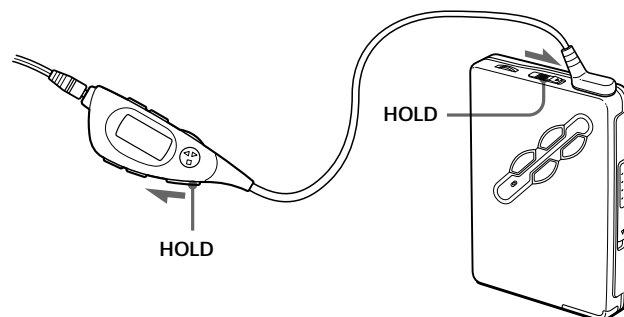
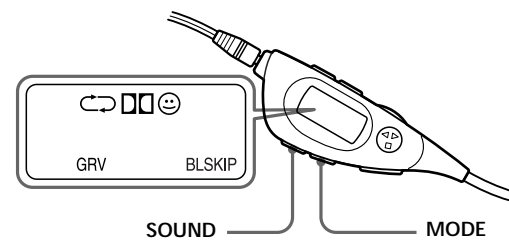
#### To use the AMS\* function

Press FF • AMS or REW • AMS (FF or REW on the remote control).

To	Press
Play the next track/succeeding 9 tracks from the beginning	FF • AMS once/repeatedly during playback ("AMS" and the number of tracks to be skipped appear)
Play the current track/previous 8 tracks from the beginning	REW • AMS once/repeatedly during playback ("AMS" and the number of tracks to be skipped appear)

\* Automatic Music Sensor

(turn over)

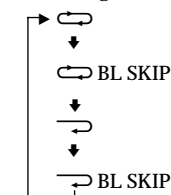


## Using Other Functions (see Fig. D)

### Adjusting playback mode

You can adjust the playback direction mode (↔ or →) as well as the BL SKIP mode (on or off).

- 1 Press MODE repeatedly. With each press the indications change as follows:



- When "BL SKIP" is displayed, the tape is fast-forwarded to the next track if there is a blank space of longer than 12 seconds. You will hear repeated sets of three short beeps when skipping a blank.
- When "↔" is displayed, both sides of the tape is played repeatedly.
- When "→" is displayed, both sides of the tape is played once from the side facing the tape holder.

#### Notes

- You cannot adjust the playback mode during fast-forward or rewind.
- The setting is stored as long as the battery is not replaced.

### Playing a tape recorded with the Dolby\* B NR system

Hold down SOUND until "□□" appears in the display. To cancel Dolby B NR, hold down SOUND again until "□□" disappears.

- \* Dolby noise reduction manufactured under license from Dolby Laboratories Licensing Corporation. "DOLBY" and the double-D symbol □□ are trademarks of Dolby Laboratories Licensing Corporation.

#### Notes

- You cannot turn on/off the Dolby B NR function during fast-forward or rewind.
- The setting is stored as long as the battery is not replaced.

### Emphasizing Sound

- 1 Press SOUND repeatedly. With each press, the indications change as follows:  
RV (Sound Revitalizer): emphasizes treble sound  
MB (Mega Bass): emphasizes bass sound (moderate effect)  
GRV (Groove): emphasizes bass sound (strong effect)  
none: normal (no effect)

#### Notes

- If the sound becomes distorted in the GRV mode, turn down the volume on the main unit or select other modes.
- You cannot change the mode during fast-forward or rewind.
- The setting is stored as long as the battery is not replaced.

### Protecting your hearing —AVLS (Automatic Volume Limiter System) function

Hold down MODE until "☺" appears in the display. To cancel the AVLS function, hold down MODE again until "☺" disappears.

#### Notes

- You cannot turn on/off the AVLS function during fast-forward or rewind.
- The setting is stored as long as the battery is not replaced.

### Locking the controls —Hold function (see Fig. E)

Slide the HOLD switch in the direction of the arrow to lock the controls of the Walkman or the remote control.

### ► Additional Information

### Precautions

#### On rechargeable battery and charger

- Remove the charger unit from the wall outlet as soon as possible after the rechargeable battery has been charged. Overcharging may damage the rechargeable battery.
- The battery charger and the rechargeable battery may become warm during charging, but this is not a problem.
- Do not tear off the film on the rechargeable battery.
- Use only the supplied battery charger to charge the supplied rechargeable battery.
- Be sure not to short-circuit the battery. When you carry it with you, use the supplied carrying case. If you are not using the case, do not carry the battery with other metallic objects such as keys rings in your pocket.
- If the rechargeable battery is new or has not been used for a long time, it may not be charged completely until you use it several times.
- The nameplate indicating the operating voltage, power consumption, etc. is located on the bottom exterior of the battery charger.

#### On batteries

- Do not charge a dry battery.
- Do not carry the dry or rechargeable batteries with coins or other metallic objects. It can generate heat if the positive and negative terminals of the batteries are accidentally contacted by a metallic object.
- When you do not use the Walkman for a long time, remove the battery to avoid any damage caused by battery leakage and subsequent corrosion.

#### On handling

- Do not drop the unit or give a shock to the unit, or it may cause a malfunction.
- Do not leave the unit in a location near heat sources, or in a place subject to direct sunlight, excessive dust or sand, moisture, rain, mechanical shock, or in a car with its windows closed.
- The LCD display may become hard to see or slow down when using the unit at high temperatures (above 40°C/104°F) or at low temperatures (below 0°C/32°F). At room temperature, the display will return to its normal operating condition.
- If the unit has not been used for a long period of time, set it in the playback mode to warm it up for a few minutes before you start using again.

#### On tapes longer than 90 minutes

We do not recommend the use of tapes longer than 90 minutes except for a long continuous playback. They are very thin and tend to be stretched easily.

#### On the remote control

Use the supplied remote control only for each unit.

#### On headphones/earphones

**Road safety**  
Do not use headphones/earphones while driving, cycling, or operating any motorized vehicle. It may create a traffic hazard and is illegal in some areas. It can also be potentially dangerous to play your headphones/earphones at high volume while walking, especially at pedestrian crossings. You should exercise extreme caution or discontinue use in potentially hazardous situations.

#### Preventing hearing damage

Do not use headphones/earphones at high volume. Hearing experts advise against continuous, loud and extended play. If you experience a ringing in your ears, reduce the volume or discontinue use.

#### Caring for others

Keep the volume at a moderate level. This will allow you to hear outside sounds and to be considerate to the people around you.

### Maintenance

#### To clean the tape head and path

Use the cleaning cassette CHK-1W (not supplied) every 10 hours of use.

#### Note

- Use only the recommended cleaning cassette.

#### To clean the exterior

Use a soft cloth slightly moistened in water. Do not use alcohol, benzine or thinner.

#### Notes

- Clean the headphones/earphones and remote control plugs periodically.
- Clean the terminals periodically with a cotton swab or a soft cloth as illustrated (see Fig. F).

### Troubleshooting

The unit does not operate at all.

- Charge the rechargeable battery or replace the battery with a new Sony alkaline battery.
- HOLD is activated. Deactivate HOLD.

Tape operation is not possible.

- Insert a cassette tape.

The volume cannot be turned up.

- Set AVLS to off.

The tape fast-forwards by itself during playback.

- Set BL SKIP to off.

The sound contains noise.

- Use the unit away from radiowave-emitting devices such as cellular phones.

The Walkman does not operate although the dry battery has been replaced/the rechargeable battery has been charged.

- Remove the battery and insert it again.

### Specifications

#### Tape section

Frequency response (Dolby NR off)  
Playback: 30–18,000 Hz

#### Output

Headphones (◁) REMOTE jack  
Load impedance 8–300 ohms

#### General

##### Power requirements

1.5 V  
Rechargeable battery  
One R6 (size AA) battery

##### Dimensions (w/h/d)

Approx. 77.7 x 109.1 x 21.4 mm  
(3 1/8 x 4 3/8 x 7/16 inches), incl. projecting parts and controls

##### Mass

Approx. 140 g (5.0 oz.)  
Approx. 205 g (7.3 oz.) incl. a rechargeable battery and a cassette

##### Supplied accessories

- Battery case (1)
- Stereo earphones with remote control (1)
- Battery charger (1)
- Rechargeable battery (NC-6WM, 1.2 V, 600 mAh, Ni-Cd) (1)
- Carrying pouch (1)
- Rechargeable battery carrying case (1)

Design and specifications are subject to change without notice.