

# *Personal Component System*

---

Operating Instructions page 2<sup>GB</sup>

**GB**

Manual de instrucciones página 2<sup>ES</sup>

**ES**



*PMC-R30L*  
*PMC-R35L*

## Warning

To prevent fire or shock hazard, do not expose the player to rain or moisture.

To avoid electrical shock, do not open the cabinet. Refer servicing to qualified personnel only.

## Information



This Compact Disc player is classified as a CLASS 1 LASER product.



The CLASS 1 LASER PRODUCT label is located on the bottom exterior.

## Warning

Do not install the appliance in a confined space, such as a bookcase or built-in cabinet.

## Notice for customers in the United Kingdom

A moulded plug complying with BS 1363 is fitted to this equipment for your safety and convenience.

Should the fuse in the plug supplied need to be replaced, same rating fuse approved by ASTA or BSI to BS 1362, (i.e. marked with  or  mark) must be used.

If the plug supplied with this equipment has a detachable fuse cover, be sure to attach the fuse cover after you change the fuse. Never use the plug without the fuse cover. If you should lose the fuse cover, please contact your nearest Sony service station.

## CAUTION

You can use this player on AC power source only. You cannot use it on batteries.

When you use this player for the first time, or when you have not used it for a long time, leave it connected to AC power source for about one hour to charge the built-in backup battery for the clock, timer, preset radio stations, etc. You can use the player during charging. The player will charge the battery automatically as long as it is connected to a power source.

When you disconnect the AC power cord after charging, be sure to turn the power off first. Once fully charged, the backup battery will last for about 30 minutes without being connected to any power sources.

If the stored data are erased, reenter them when you use the player again.

---

# Table of contents

---

## Basic Operations

- 4 Playing a CD
  - 6 Listening to the radio
  - 8 Playing a tape
  - 10 Recording on a tape
- 

### The CD Player

- 12 Using the display
- 13 Locating a specific track
- 14 Playing tracks repeatedly (Repeat Play)
- 15 Playing tracks in random order (Shuffle Play)
- 16 Creating your own program (Program Play)

### The Radio

- 18 Presetting radio stations
- 19 Playing preset radio stations

### The Timer

- 20 Setting the clock
- 21 Waking up to music
- 24 Falling asleep to music

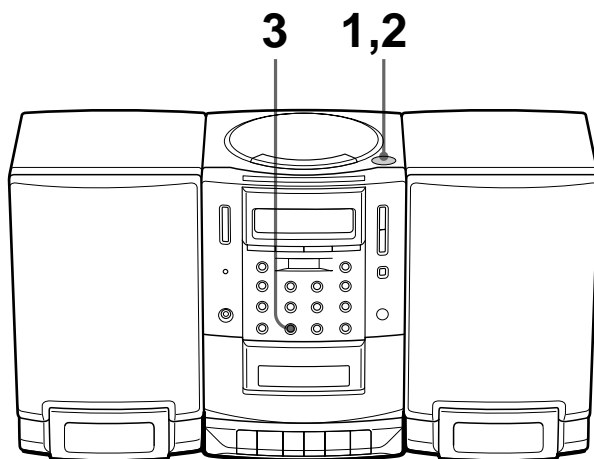
### Setting Up

- 25 Hooking up the system
- 27 Selecting the audio emphasis (SOUND/MEGA BASS)

### Additional Information

- 28 Precautions
- 30 Troubleshooting
- 32 Maintenance
- 33 Specifications
- 34 Index

# Playing a CD



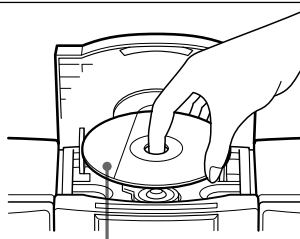
For hookup instructions, see pages 25 - 26.

**1**

PUSH  
OPEN/CLOSE



Press ▲PUSH OPEN/CLOSE down to open the CD compartment and place the CD on the CD compartment.



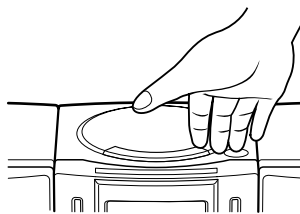
With the label side up

**2**

PUSH  
OPEN/CLOSE



Close the lid of the CD compartment.



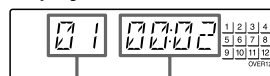
**3**



Press ►|| (► on the remote) (direct power-on).

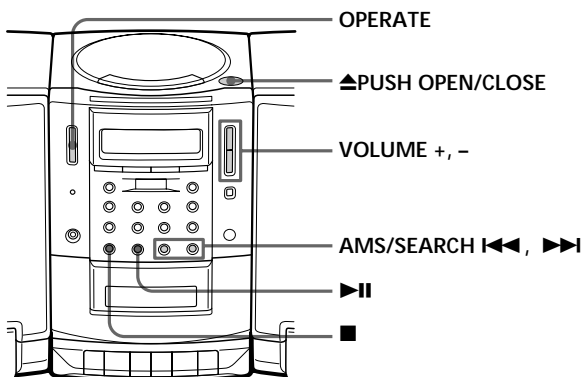
The player plays all the tracks once.

Display



Track number    Playing time

## Use these buttons for additional operations

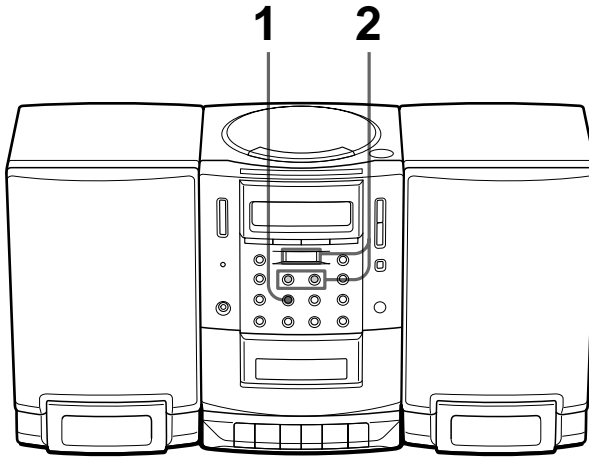


## Tip

Next time you want to listen to a CD, just press ▶||. The player turns on automatically and starts playing the CD.

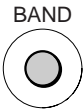
To	Press
adjust the volume	VOLUME +, - (VOL +, - on the remote)
stop playback	■
pause playback	▶   (   on the remote) Press the button again to resume play after pause.
go to the next track	AMS/SEARCH ▶▶
go back to the previous track	AMS/SEARCH ◀◀
remove the CD	▲PUSH OPEN/CLOSE
turn on/off the player	OPERATE

# Listening to the radio



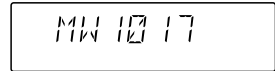
For hookup instructions, see pages 25 - 26.

1

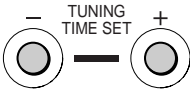


Press **BAND** until the band you want appears in the display (direct power-on).

Display

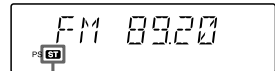


2



Hold down **TUNING • TIME SET** + or - (TUNE + or - on the remote) until the frequency digits begin to change in the display.

Display

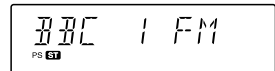


The player automatically scans the radio frequencies and stops when it finds a clear station.

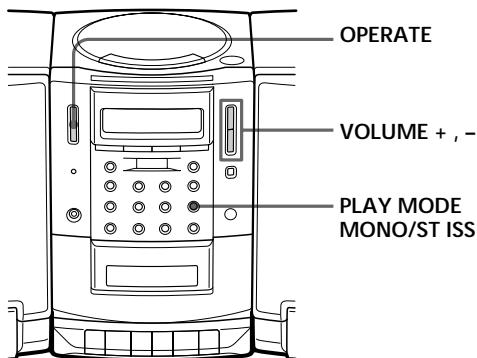
Indicates an FM stereo broadcast.

If you can't tune in a station, press the button repeatedly to change the frequency step by step.

When you tune in an FM station that provides RDS (Radio Data System) services, the name of the station appears in the display and "R•D•S" indicator lights up.



## Use these buttons for additional operations



### Tips

- If the FM broadcast is noisy, press **PLAY MODE**•**MONO/ST ISS** until “MONO” appears in the display and the radio will play in monaural.
- Next time you want to listen to the radio, just press **BAND**. The player turns on automatically and starts playing the previous station.
- RDS is available only on FM stations.
- To display the frequency when the station name is shown in the display, press **DSPL ENT MEM** to make “PS” disappears from the display.
- If the reception of RDS is weak or has poor quality, “R•D•S” indicator will go off.

To	Press
adjust the volume	VOLUME +, - (VOL +, - on the remote)
turn on/off the radio	OPERATE

### To improve broadcast reception

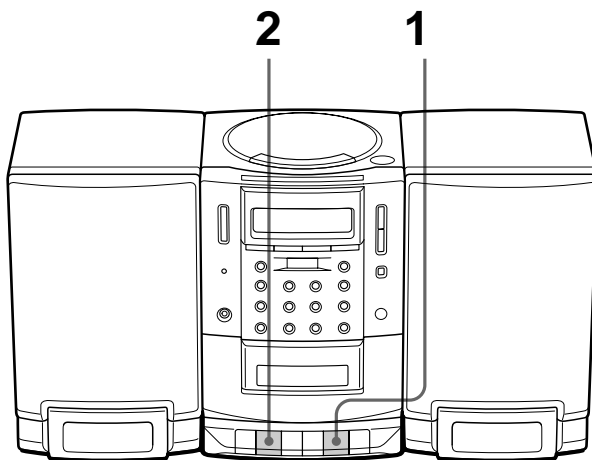
#### FM

Keep the FM lead aerial (supplied) as horizontal as possible (see page 26).

#### MW/LW

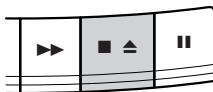
Keep the MW/LW loop aerial (supplied) away as far as possible from the player and then reorient the aerial (see page 26).

# Playing a tape



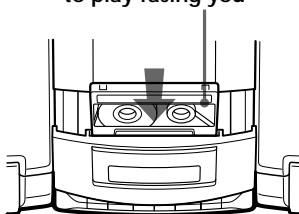
For hookup instructions, see pages 25 - 26.

1

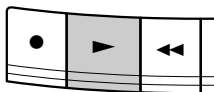


Press **■▲** to open the tape compartment and insert a recorded tape. Use TYPE I (normal) tape only. Close the compartment.

With the side you want to play facing you



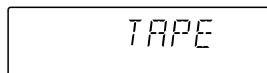
2



Press **▶**.

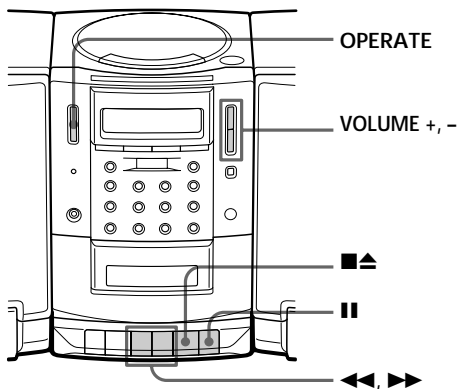
The player turns on (direct power-on) and starts playing.

Display





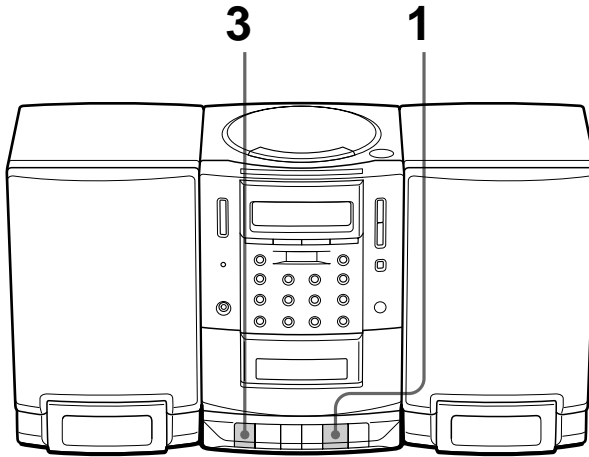
## Use these buttons for additional operations

**Tip**

Next time you want to listen to a tape, just press ►. The player turns on automatically and starts playing the tape.

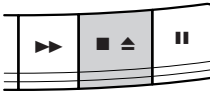
To	Press
adjust the volume	VOLUME +, - (VOL +, - on the remote)
stop playback	■▲
fast-forward or rewind the tape	▶▶, ◀◀
pause playback	 Press the button again to resume play after pause.
eject the cassette	■▲
turn on/off the player	OPERATE

# Recording on a tape



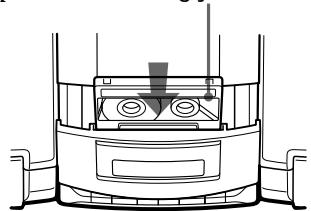
For hookup instructions, see pages 25 - 26.

1



Press **■▲** to open the tape compartment and insert a blank tape. Use TYPE I (normal) tape only.

With the side you want to record on facing you



2



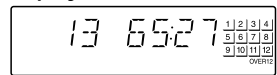
BAND



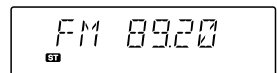
Select the program source you want to record.

To record from the CD player, insert a CD (see page 4) and press **■** on the CD section.

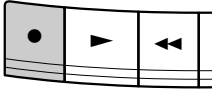
Display



To record from the radio, tune in the station you want (see page 6).

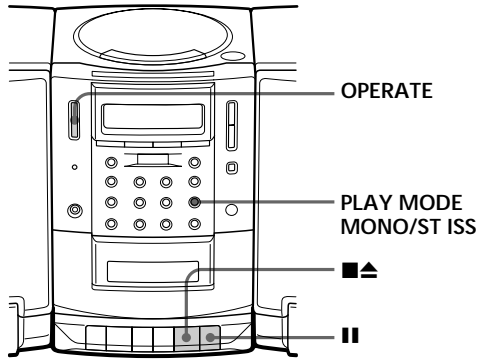


3



Press ● to start recording.  
(▶ is depressed automatically.)

Use these buttons for additional operations



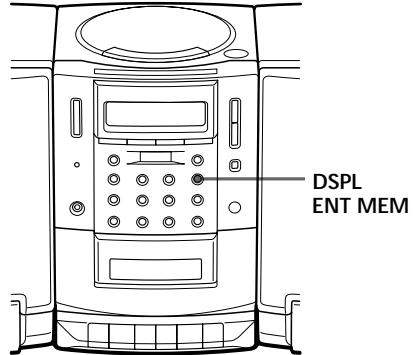
Tips

- Adjusting the volume or the audio emphasis (see page 27) will not affect the recording level.
- If the MW/LW program makes a whistling sound after you've pressed ● in step 3, press PLAY MODE• MONO/ST ISS (Interference Suppress switch) repeatedly until the noise is at a minimum.
- To erase a recording, proceed as follows:
  - 1 Insert the tape whose recording you want to erase.
  - 2 Turn on the power.
  - 3 Press FUNCTION on the remote repeatedly until "TAPE" appears in the display.
  - 4 Press ●.

To	Press
stop recording	■▲
pause recording	 Press the button again to resume recording.
turn on/off the player	OPERATE

# Using the display

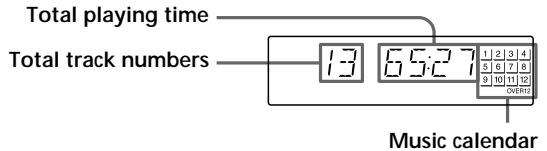
You can check information about the CD using the display.



## Checking the total track numbers and playing time

Press DSPL ENT MEM in stop mode.

If the CD has more than 12 tracks, "OVER 12" appears in the display.



## Checking the remaining time

Press DSPL ENT MEM while playing a CD.

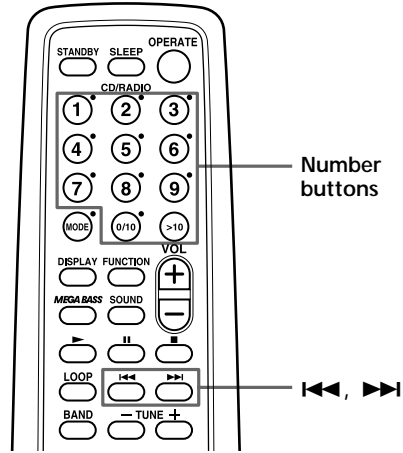
The track numbers in the music calendar disappear after they are played.

To display	Press DSPL ENT MEM
the current track number and the remaining time on the current track*	once
the number of tracks left and the remaining time on the CD	twice
the current track number and playing time	three times

\* For a track whose number is more than 20 the remaining time appears as "--:--".

# Locating a specific track

You can quickly locate any track using the number buttons on the remote. You can also find a specific point in a track while playing a CD.



## Note

You cannot locate a specific track if “SHUF” or “PGM” is lit in the display. Turn off the indication by pressing ■.

## Tip

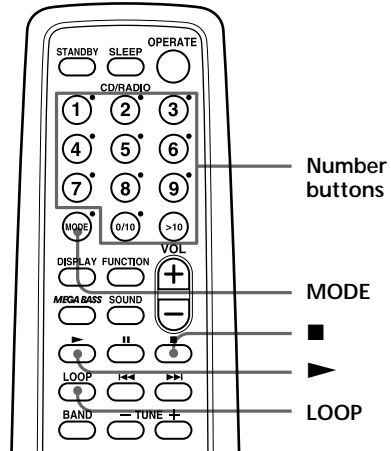
When you locate a track numbered over 10, press >10 first, then the corresponding number buttons.  
Example:  
To play track number 23, press >10 first, then 2 and 3.

To locate	Press
a specific track directly	the number button of the track
a point while listening to the sound	▶▶▶ (forward) or ◀◀◀ (backward) while playing and hold down until you find the point
a point while observing the display	▶▶▶ (forward) or ◀◀◀ (backward) in pause and hold down until you find the point

# Playing tracks repeatedly

## (Repeat Play)

You can play tracks repeatedly in normal, shuffle or program play modes (see pages 15 - 17).



### On the player

- Use PLAY MODE • MONO/ST ISS instead of MODE.
- When you've selected REP 1, select the track by pressing ◀◀ or ▶▶ then ▶▶.

### Tip

Press and hold LOOP on the remote during play to repeat a selected part of a CD. When you release LOOP, the player returns to normal play.

### 1 Press ■.

“CD” appears in the display.

### 2 Proceed as follows:

To repeat	Do this
a single track	<ol style="list-style-type: none"> <li>1 Press MODE until “REP 1” appears.</li> <li>2 Select the track by pressing the number button.</li> </ol>
all the tracks	<ol style="list-style-type: none"> <li>1 Press MODE until “REP ALL” appears.</li> <li>2 Press ▶.</li> </ol>
tracks in random order	<ol style="list-style-type: none"> <li>1 Press MODE until “SHUF REP” appears.</li> <li>2 Press ▶.</li> </ol>
programmed tracks	<ol style="list-style-type: none"> <li>1 Press MODE until “PGM REP” appears.</li> <li>2 Program tracks (see step 3 on page 16.)</li> <li>3 Press ▶.</li> </ol>

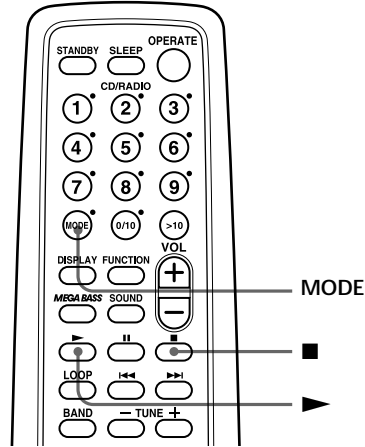
### To cancel Repeat Play

Press MODE until “REP” disappears from the display.

# Playing tracks in random order

## (Shuffle Play)

You can play tracks in random order.



### On the player

- 1 Press ■.
- 2 Press PLAY MODE • MONO/ST ISS until "SHUF" appears in the display.
- 3 Press ►.

- 1 Press ■.  
"CD" appears in the display.
- 2 Press MODE until "SHUF" appears in the display.
- 3 Press ► to start shuffle play.

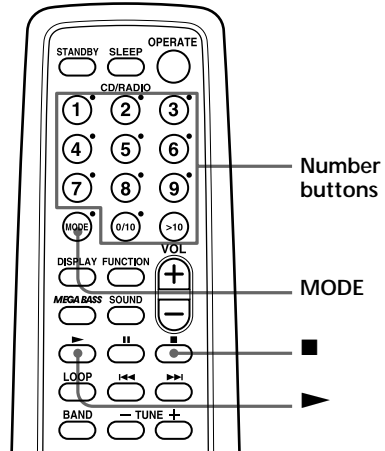
### To cancel Shuffle Play

Press MODE until "SHUF" disappears from the display.

# Creating your own program

## (Program Play)

You can arrange the playing order of up to 20 tracks on a CD.



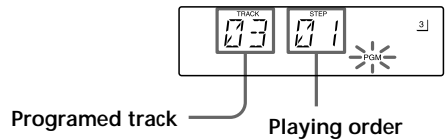
### On the player

- 1 Press ■.
- 2 Press PLAY MODE • MONO/ST ISS until "PGM" appears in the display.
- 3 Press ◀◀ or ▶▶ and then press DSPL ENT MEM for the tracks you want to program in the order you want.
- 4 Press ▶◻.

### Tips

- You can play the same program again, since the program is saved until you open the CD compartment.
- You can record your own program. After you've created the program, insert a blank tape and press ● to start recording.

- 1 Press ■.  
"CD" appears in the display.
- 2 Press MODE until "PGM" appears in the display.
- 3 Press the number buttons for the tracks you want to program in the order you want.



The programed tracks appear in the music calender.

- 4 Press ▶ to start program play.



**To cancel Program Play**

Press MODE until “PGM” disappears from the display.

**To check the order of tracks before play**

Press DSPL ENT MEM on the player.

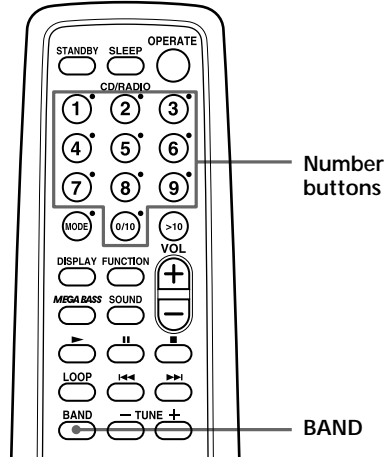
Every time you press the button, the track number appears in the programmed order.

**To change the current program**

Press ■ once if the CD is stopped and twice if the CD is playing. The current program will be erased. Then create a new program following the programming procedure.

# Presetting radio stations

You can store radio stations into the player's memory. You can preset up to 30 radio stations, 10 for each band.



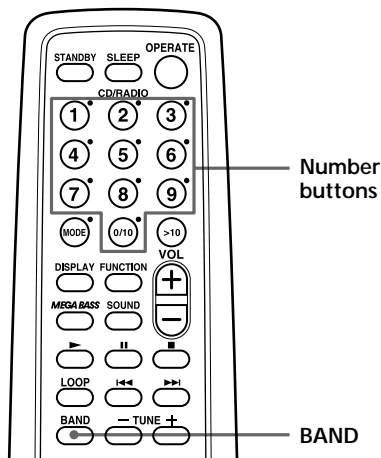
## On the player

- 1 Press BAND to select the band.
- 2 Set the frequency to the station you want.
- 3 Press and hold DSPL ENT MEM for 2 seconds.
- 4 Press PRESET + or - until the preset number (1 to 10) you want for the station flashes in the music calendar.
- 5 Press DSPL ENT MEM again.

- 1 Press BAND until the band you want appears in the display.
- 2 Set the frequency to the station you want.
- 3 Press and hold the number buttons that you want to preset the new station for 2 seconds.

# Playing preset radio stations

Once you've preset the stations, use the number buttons on the remote or the PRESET +/- to tune in your favorite stations.



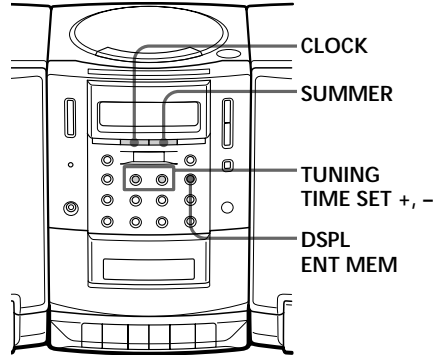
## On the player

- 1 Press BAND to select the band.
- 2 Press PRESET + or - to tune in the stored station.

- 1 Press BAND to select the band.
- 2 Press the number buttons to tune in the stored station.

# Setting the clock

“--:--” indication appears in the display until you set the clock.



**Tip**  
The time display system:  
24-hour system

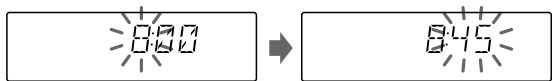
Before you begin, hook up the system (see pages 25 - 26).

- 1** Press and hold **CLOCK** for 2 seconds until the hour digit flashes.



- 2** Press **TUNING • TIME SET +** or **-** until you set the current hour. Then press **DSPL ENT MEM**.

The minute digits flash. Set the minutes by pressing **TUNING • TIME SET +** or **-** until the correct minute is displayed.



- 3** Press **DSPL ENT MEM**.

The clock starts from 00 seconds.

**To change the display to the daylight saving time (summer time) indication**

Press and hold **SUMMER** for 2 seconds.

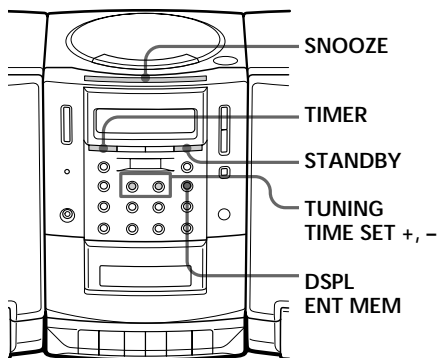
“SUMMER” appears in the display and the time indication changes to summer time.

**To cancel the summer time indication**

Press and hold **SUMMER** again until “SUMMER” disappears from the display.

# Waking up to music

You can wake up to music or a radio program at a preset time. Make sure you have set the clock (“Setting the clock” on page 20).



Before you begin, make sure the ☹ (clock) indication is not lit in the display. If it is lit, press STANDBY.

- 1 Prepare the music source you want to play.

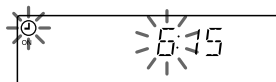
To play	Do this
the radio	Tune in a station.
a CD	Insert a CD.

- 2 Press TIMER.

The ☹ (clock) and the music source (“CD” or “RADIO”) flash.

- 3 Select the music source (“CD” or “RADIO”) by pressing TUNING•TIME SET + or –, then DSPL ENT MEM.

- 4 Set the timer to the hour you want the music to start by pressing TUNING•TIME SET + or –, then DSPL ENT MEM.



Set the minutes, then press DSPL ENT MEM.

- 5 Set the timer to the hour and the minutes you want the music to go off. (Do as step 4.)

continued

## Waking up to music (continued)

### Tips

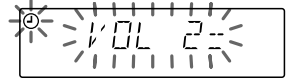
- To exit the standby mode, press **STANDBY** to make the ☹ indication disappear from the display.
- The preset settings remain until you reset them.

### Note

When you press ► or ● button of the tape player in the timer mode:

If the tape length of one side is longer than the set time, the player will be turned off at the end of the tape, not at the set time.

- 6 Press **TUNING • TIME SET +** or **-** to set the volume, then **DSPL ENT MEM**.



- 7 Press **STANDBY**.

The ☹ indication lights up and the power goes off.

At the preset time, the power will go on, and the music will play. Then the power will go off at the preset time, and the player will enter the standby mode.

### To check/change when the playback will start

Press **TIMER**, then **DSPL ENT MEM**. Each time you press **DSPL ENT MEM**, a stored setting is displayed in the set order. To change the setting, display the setting you want to change and reenter it.

### To use the player before a timer playback starts

Just turn on the player, and then you can use it.

If you turn off the player before the preset time, timer playback will start at the preset time.

In case of the radio, however, if you listen to the station which is different from the one you tuned in step 1 on page 21, you will hear that station at the preset time. Make sure to tune in the station you want to listen to before you turn off the player.

### To stop play

Press **OPERATE** to turn off the power.

**Note**

To activate the snooze function, make sure that:

- 6 or more minutes are left before the preset time for the music to go off.
- the tape player is not in the playback or recording mode.

**To doze for a few more minutes**

Press SNOOZE.

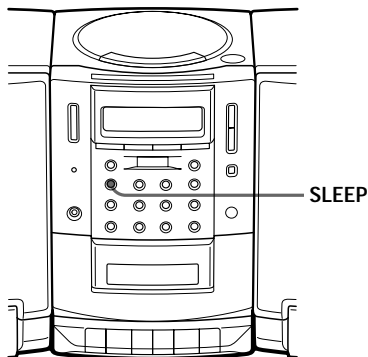
“SNOOZE” appears in the display and the power goes off. The player turns on automatically after about 5 minutes. You can repeat this process by pressing SNOOZE.

**To cancel the snooze function**

Press OPERATE to turn on the power.

# Falling asleep to music

You can set the player to turn off automatically after 10, 20, 30, 60, 90, and 120 minutes, allowing you to fall asleep while listening to music.



## Tips

- When you are playing radio or CD, make sure that ► of the tape player is not depressed.
- You can fall asleep and wake up to different music. Set the waking up timer first (see page 21), turn on the power, and then set the sleeping timer. However, you cannot store different radio stations.
- The display window does not light while the sleeping timer is on (PMC-R35L only).

## Note

When you are playing a tape using this function:  
If the tape length of one side is longer than the set time, the player will not go off until the tape reaches the end.

- 1 Play the music source you want.
- 2 Press SLEEP to display "SLEEP."
- 3 Press SLEEP to select the minutes until the player goes off automatically.

Each time you press the button, the indication changes as follows:

"60" → "90" → "120"  
→ no indication → "10"  
→ "20" → "30."



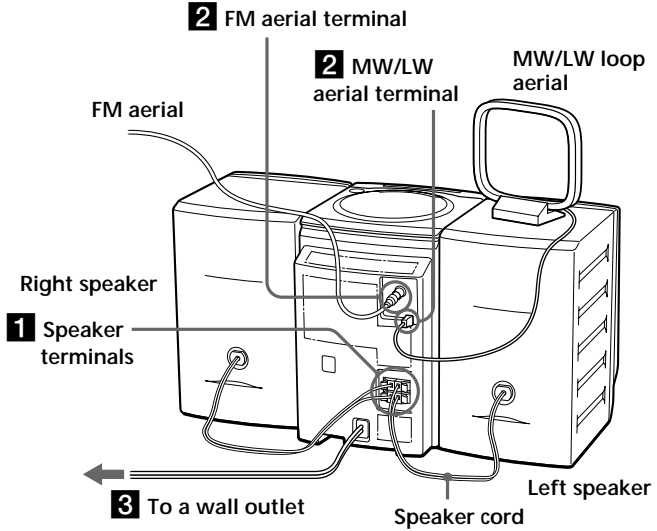
## To cancel the sleep function

Press OPERATE to turn off the power.



# Hooking up the system

Make sure you turn off the power before making any connections.



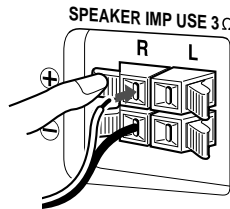
Setting Up

**Note**

Connect the supplied speakers to this player. If you connect any other speakers or equipment, a malfunction may occur.

**1 Hooking up the speakers**

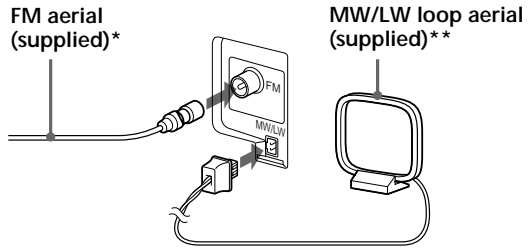
Connect the black wire to (-) minus and the red wires to (+) plus terminals: the right speaker wires to the R and the left speaker wires to the L terminals.



continued

## Hooking up the system (continued)

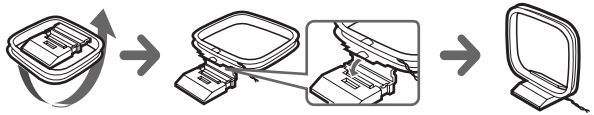
### 2 Hooking up the aerials



\* Keep the aerials horizontal as possible.

\*\* Reorient the aerial to improve broadcast reception.

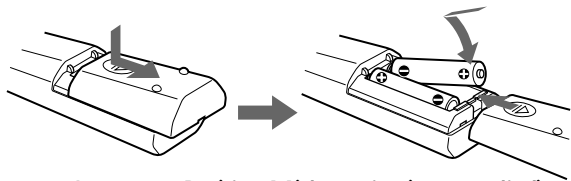
### Setting up the MW/LW loop aerial



### 3 Connecting the mains lead

Connect the mains lead to the wall outlet.

### 4 Inserting batteries into the remote



Insert two R6 (size AA) batteries (not supplied)

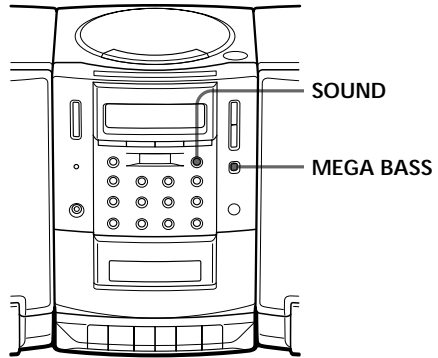
### Replacing batteries

With normal use, the batteries should last for about six months. When the remote no longer operates the player, replace all the batteries with new ones.

# Selecting the audio emphasis

(SOUND/MEGA BASS)

You can adjust the audio emphasis of the sound you are listening to.



## Selecting the sound characteristic

Press SOUND to select the audio emphasis you want.

Choose	To get
ROCK	powerful, clean sounds, emphasizing low and high range audio
POP	light, bright sounds emphasizing high and middle range audio
LIVE	percussive sounds, emphasizing bass audio
VOCAL	the presence of vocals, stressing middle range audio
OFF	the whole dynamic range for music such as classical music

## Reinforcing the bass sound

Press MEGA BASS.

"MEGA BASS" appears in the display. To return to normal sound, press the button again.

# Precautions

## On safety

- As the laser beam used in the CD player section is harmful to the eyes, do not attempt to disassemble the casing. Refer servicing to qualified personnel only.
- Should any solid object or liquid fall into the player, unplug the player, and have it checked by qualified personnel before operating it any further.
- Do not place anything within 10 mm of the side of the cabinet. The ventilation holes must be unobstructed for the player to operate properly and prolong the life of its components.
- If the player is left in a car parked in the sun, be sure to choose a location in the car where the player will not be subjected to the direct rays of the sun.

## On power sources

- The player is not disconnected from the AC power source (mains) as long as it is connected to the wall outlet, even if the player itself has been turned off.
- When the batteries are not to be used, remove them to avoid damage that can be caused by battery leakage or corrosion.
- The nameplate indicating operating voltage, power consumption, etc. is located at the rear.

## On placement

- Do not leave the player in a location near heat sources, or in a place subject to direct sunlight, excessive dust or mechanical shock.
- Do not place the player on an inclined or unstable place.

- Since a strong magnet is used for the speakers, keep personal credit cards using magnetic coding or spring-wound watches away from the player to prevent possible damage from the magnet.

## On operation

- If the player is brought directly from a cold to a warm location, or is placed in a very damp room, moisture may condense on the lens inside the CD player section. Should this occur, the player will not operate properly. In this case, remove the CD and wait about an hour for the moisture to evaporate.
- If the player has not been used for a long time, set it in the playback mode to warm it up for a few minutes before inserting a cassette.

If you have any questions or problems concerning your player, please consult your nearest Sony dealer.

### Notes on CDs

- Before playing, clean the CD with a cleaning cloth. Wipe the CD from the center out.

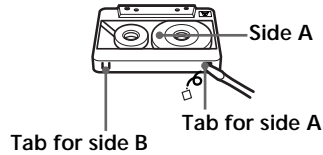


- Do not use solvents such as benzine, thinner, commercially available cleaners or anti-static spray intended for vinyl LPs.
- Do not expose the CD to direct sunlight or heat sources such as hot air ducts, nor leave it in a car parked in direct sunlight as there can be a considerable rise in temperature inside the car.
- Do not stick paper or sticker on the CD, nor scratch the surface of the CD.
- After playing, store the CD in its case.

If there is a scratch, dirt or fingerprints on the CD, it may cause tracking error.

### Notes on cassettes

- Break off the cassette tab from side A or B to prevent accidental recording. If you want to reuse the tape for recording, cover the broken tab with adhesive tape.



- The use of a cassette with more than 90 minutes of play time is not recommended except for long, continuous recording or playback.

# Troubleshooting

	Symptom	Remedy
General	The power is not on. There is no audio.	<ul style="list-style-type: none"> <li>• Connect the mains lead to a wall outlet securely.</li> <li>• Make sure that the speakers are connected correctly.</li> <li>• Make sure the function you want to use appears in the display.</li> <li>• Adjust the volume.</li> <li>• Unplug the headphones when listening through speakers.</li> </ul>
	Noise is heard.	<ul style="list-style-type: none"> <li>• Someone is using a portable telephone or other equipment that emits radio waves near the player. → Move the portable telephone, etc., away from the player.</li> </ul>
	“NO DISC“ lights in the display even when a CD is in place. The CD does not play.	<ul style="list-style-type: none"> <li>• Insert the CD with the label surface up.</li> <li>• Make sure that the CD compartment is closed.</li> <li>• Place the CD with the label surface up.</li> <li>• Clean the CD.</li> <li>• Take out the CD and leave the CD compartment open for about an hour to dry moisture condensation.</li> <li>• Make sure “CD” appears in the display.</li> </ul>
CD Player	The sound drops out.	<ul style="list-style-type: none"> <li>• Reduce the volume.</li> <li>• Clean the CD, or replace it if the CD is badly damaged.</li> <li>• Place the player in a location free from vibration.</li> </ul>
	The audio is weak or has poor quality.	<ul style="list-style-type: none"> <li>• Move the player away from the TV.</li> <li>• If you are using the remote while listening to MW/LW radio, noise may be heard. This is unavoidable.</li> </ul>
Radio	The picture of your TV becomes unstable.	<ul style="list-style-type: none"> <li>• If you are listening to an FM program near the TV with an indoor antenna, move the player away from the TV.</li> </ul>
	The station name does not appear in the display though you are listening to an FM program.	<ul style="list-style-type: none"> <li>• The RDS function of this player will not be activated if the station you are tuning in does not provide RDS services.</li> </ul>

	Symptom	Remedy
Tape Player	The tape does not move when you press an operation button.	<ul style="list-style-type: none"> <li>• Close the tape compartment securely.</li> </ul>
	The ● button does not function/The tape does not play.	<ul style="list-style-type: none"> <li>• Make sure the safety tab on the cassette is in place.</li> <li>• Make sure "TAPE" appears in the display.</li> </ul>
	The tape does not erase completely.	<ul style="list-style-type: none"> <li>• Clean the erasing head (see page 32).</li> <li>• The source which was recorded on TYPE II (high position) or TYPE IV (metal) tape using this unit is being played. Record on TYPE I (normal) tape and play.</li> </ul>
	The tape does not record.	<ul style="list-style-type: none"> <li>• Make sure the tape is inserted properly.</li> <li>• Make sure the safety tab of the cassette is in place.</li> </ul>
	The audio is weak/The audio quality is poor.	<ul style="list-style-type: none"> <li>• Clean the heads, pinch roller and capstan (see page 32).</li> <li>• Demagnetize the heads using a demagnetizer (see page 32).</li> </ul>
	The sound is distorted.	<ul style="list-style-type: none"> <li>• The TYPE II (high position) or TYPE IV (metal) tape is being used. Use TYPE I (normal) tape only.</li> </ul>
Timer	The timer does not operate.	<ul style="list-style-type: none"> <li>• Make sure the time on the clock is correct.</li> <li>• Check to see if the AC power had been cut off.</li> <li>• Make sure the ⊖ (clock) indication is displayed.</li> </ul>
	The remote does not function.	<ul style="list-style-type: none"> <li>• Make sure that you are pointing the remote at the remote sensor on the player.</li> <li>• Remove any obstacles in the path of the remote and the player.</li> <li>• Make sure the remote sensor is not exposed to strong light such as direct sunlight or fluorescent lamp light.</li> <li>• Move closer to the player when using the remote.</li> </ul>
Remote		

The player uses a built-in micro computer for its various operations. Due to change in power supply conditions, etc., operation may sometimes become unstable. After trying the above remedies, if the player still does not function properly, disconnect the mains lead first and press RESET at the rear with a pointed material. If the problem persists, please consult your nearest Sony dealer.

# Maintenance

## Cleaning the lens

If the lens becomes dirty, it may cause a skipping of sound during CD operation. Clean with a commercially available blower.

## Cleaning the tape heads and tape path

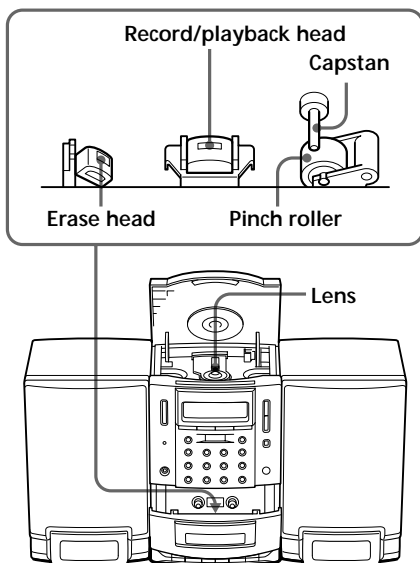
Wipe the heads, the pinch roller and the capstan with a cleaning swab slightly moistened with cleaning fluid or alcohol after every 10 hours of operation for optimum playback and recording quality. To make the best possible recording, however, we recommend that you clean all surfaces over which tape travels before each recording.

## Demagnetizing the tape heads

After 20 to 30 hours of use, enough residual magnetism will have built up on the tape heads to begin to cause loss of high frequency sound and hiss. At this time, you should demagnetize the heads and all metal parts in the tape path with a commercially available tape head demagnetizer.

## Cleaning the cabinet

Clean the cabinet, panel and controls with a soft cloth slightly moistened with a mild detergent solution. Do not use any type of abrasive pad, scouring powder, or solvent, such as alcohol or benzine.



After cleaning, insert a tape when the areas cleaned are completely dry.



# Specifications

## CD player section

### System

Compact disc digital audio system

### Laser diode properties

Material: GaAlAs

Wave length: 780 nm

Emission duration: Continuous

Laser output: Less than 44.6  $\mu$ W

(This output is the value measured at a distance of about 200 mm from the objective lens surface on the optical pick-up block with 7 mm aperture.)

### Spindle speed

200 r/min (rpm) to 500 r/min (rpm) (CLV)

### Number of channels

2

### Frequency response

20 - 20,000 Hz  $\pm 1/-2$  dB

### Wow and flutter

Below measurable limit

## Radio section

### Frequency range

FM	87.5 - 108 MHz
MW	531 - 1,602 kHz
LW	153 - 279 kHz

### IF

FM: 10.7 MHz

MW/LW: 450 kHz

### Antennas

FM: External aerial terminal

MW/LW: External aerial terminal

## Cassette-corder section

### Recording system

4-track 2 channel stereo

### Fast winding time

Approx. 120 s (sec.) with Sony cassette C-60

### Frequency response

TYPE I (normal): 70 - 10,000 Hz

## General

### Speaker

Full range: 10 cm (4 in.) dia.,  
3 ohms, cone type (2)

### Outputs

Headphones jack (stereo minijack)

For 16 - 68 ohms impedance headphones

### Maximum power output

4.5 W + 4.5 W

### Power requirements

For personal component system:

230 V AC, 50 Hz

For remote control:

3 V DC, 2 R6 (size AA) batteries

### Power consumption

AC 23 W

### Dimensions (incl. projecting parts)

Player: Approx. 160  $\times$  249  $\times$  227 mm (w/h/d)

(6  $\frac{3}{8}$   $\times$  9  $\frac{7}{8}$   $\times$  9 inches)

Speaker: Approx. 150  $\times$  245  $\times$  192 mm (w/h/d)

(6  $\times$  9  $\frac{3}{4}$   $\times$  7  $\frac{3}{8}$  inches)

### Mass

Player: Approx. 2.8 kg (6 lb. 3 oz)

Speaker: Approx. 1.2 kg (2 lb. 10 oz)

### Supplied accessories

Remote control (1)

FM lead aerial (1)

MW/LW loop aerial (1)

Design and specifications are subject to change without notice.

## Optional accessories

Sony MDR headphones series

---

# Index

## A

Audio emphasis 27

## B

Batteries

for remote 26

## C

CD player 12

Cleaning

cabinet 32

lens 32

tape heads and tape

path 32

Connecting mains lead 26

Creating your own program  
16

## D, E, F, G

Demagnetizing the tape  
heads 32

Display 12

## H

Hooking up 25

## I, J, K

Improving broadcast  
reception 7

## L

Listening to the radio 6

Locating a specific track 13

LOOP 14

## M, N, O

MEGA BASS 27

## P, Q

Playing

a CD 4

a tape 8

preset radio stations 19

tracks repeatedly 14

Presetting radio stations 18

Program Play 16

## R

Radio stations

playing 19

presetting 18

Recording on a tape 10

Repeat Play 14

RDS 7

## S

Selecting

audio emphasis 27

tracks 5

Setting the clock 20

Setting up 25

Shuffle Play 15

SNOOZE 23

SOUND 27

Summer time 20

## T

Timer

Falling asleep to music 24

Waking up to music 21

To doze for few more  
minutes 23

Troubleshooting 30

## U, V, W, X, Y, Z

Using the display 12

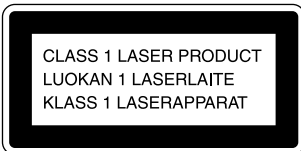


## ADVERTENCIA

Para evitar incendios o el riesgo de electrocución, no exponga el reproductor a la lluvia ni a la humedad.

Para evitar descargas eléctricas, no abra el sistema. En caso de avería, solicite sólo los servicios de personal especializado.

## Información



Este reproductor de discos compactos está clasificado como producto láserico de clase 1. La etiqueta CLASS 1 LASER PRODUCT se encuentra en la parte inferior del exterior de la unidad.

## ADVERTENCIA

No instale el aparato en un espacio cerrado, como una estantería para libros o un armario empotrado.

## PRECAUCION

Este reproductor puede emplearse sólo con fuente de alimentación de CA. No es posible emplearlo con pilas.

Al emplear este reproductor por primera vez, o si no lo ha utilizado durante mucho tiempo, déjelo conectado a una fuente de alimentación durante aproximadamente una hora con el fin de cargar la pila de reserva incorporada para el reloj, temporizador, emisoras de radio programadas, etc. Es posible emplear el reproductor durante la carga. Éste cargará la pila automáticamente mientras esté conectado a una fuente de alimentación.

Al desconectar el cable de alimentación de CA después de la carga, asegúrese de desactivar primero la alimentación. Una vez completamente cargada, la duración de la pila de reserva será de 30 minutos aproximadamente sin realizar la conexión a ninguna fuente de alimentación.

Si los datos almacenados se borran, vuelva a introducirlos cuando utilice el reproductor de nuevo.

# Indice

---

## Procedimientos básicos

- 4 Reproducción de un CD
  - 6 Radiorecepción
  - 8 Reproducción de cintas
  - 10 Grabación en una cinta
- 

## Reproductor de discos compactos (CD)

- 12 Utilización del visor
- 13 Localización de una canción específica
- 14 Reproducción repetida de las canciones (Reproducción repetida)
- 15 Reproducción de canciones en orden aleatorio (Reproducción aleatoria)
- 16 Creación de su propio programa (Reproducción programada)

## Radio

- 18 Memorización de emisoras de radiodifusión
- 19 Sintonía de emisoras almacenadas

## Temporizador

- 20 Ajuste del reloj
- 21 Activación automática de la unidad
- 24 Desactivación automática de la unidad

## Preparativos

- 25 Conexión del sistema
- 27 Selección del énfasis de audio (SOUND/MEGA BASS)

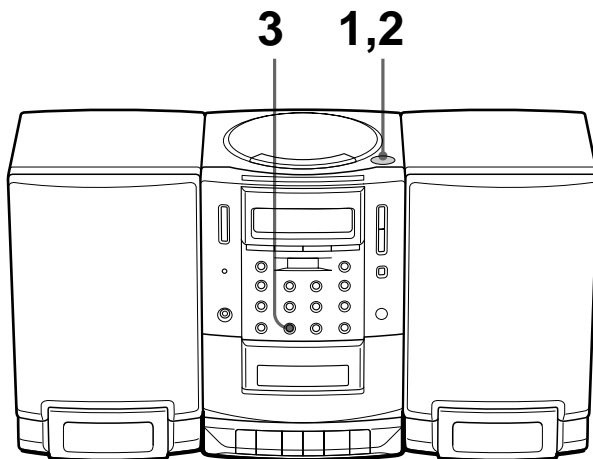
## Información complementaria

- 28 Precauciones
- 30 Solución de problemas
- 32 Mantenimiento
- 33 Especificaciones

## Contraportada

Índice alfabético

# Reproducción de un CD



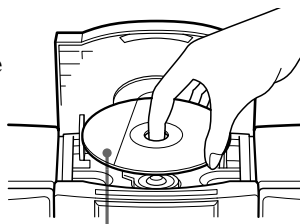
Para obtener instrucciones sobre conexiones, consulte las páginas 25 - 26.

**1**

PUSH  
OPEN/CLOSE



Pulse ▲PUSH OPEN/CLOSE para abrir el compartimento de discos y coloque el CD.



Con la superficie de la etiqueta hacia arriba

**2**

PUSH  
OPEN/CLOSE



Cierre la tapa del compartimento de discos.

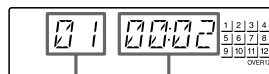


**3**



Pulse ►► (► en el mando a distancia) (activación directa).  
El reproductor reproduce todas las canciones una vez.

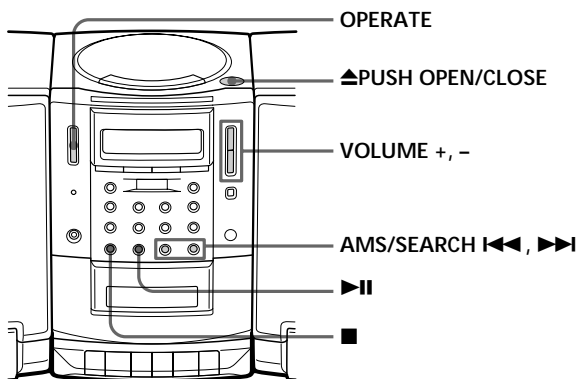
Visor



Número de canción

Tiempo de reproducción

Utilice estos botones para realizar procedimientos adicionales

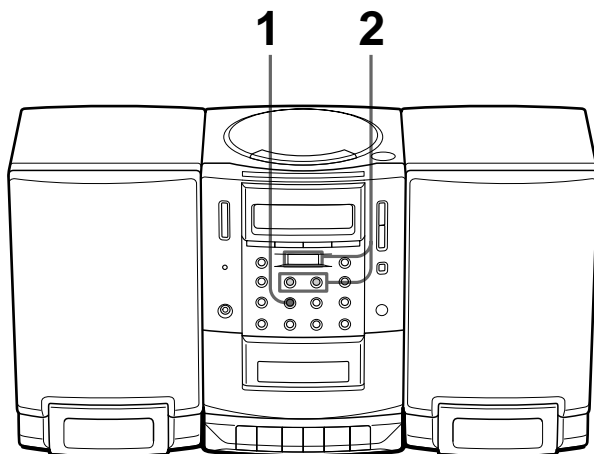


Consejo

La próxima vez que desee escuchar un CD, basta con pulsar ►||. El reproductor se enciende automáticamente e inicia la reproducción del CD.

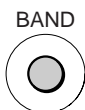
Para	Pulse
ajustar el volumen	VOLUME +, - (VOL +, - en el mando a distancia)
cesar la reproducción	■
realizar una pausa	►   (   en el mando a distancia) Vuelva a pulsar para reanudar la reproducción después de la pausa.
pasar a la siguiente canción	AMS/SEARCH ►►
retroceder a la canción anterior	AMS/SEARCH ◄◄
extraer el disco	▲PUSH OPEN/CLOSE
encender/apagar el reproductor	OPERATE

# Radiorecepción



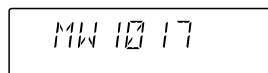
Para obtener instrucciones sobre conexiones, consulte las páginas 25 - 26.

1

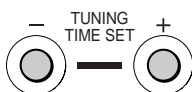


Pulse BAND hasta que la banda que desee aparezca en el visor (activación directa).

Visor

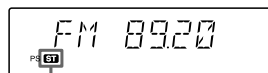


2



Mantenga pulsado TUNING • TIME SET + o - (TUNE + o - en el mando a distancia) hasta que los dígitos de frecuencia comiencen a cambiar en el visor.

Visor

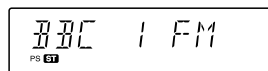


Indica una emisión estéreo de FM.

El reproductor explora automáticamente las frecuencias de radio y se detiene al encontrar una emisora con sonido nítido.

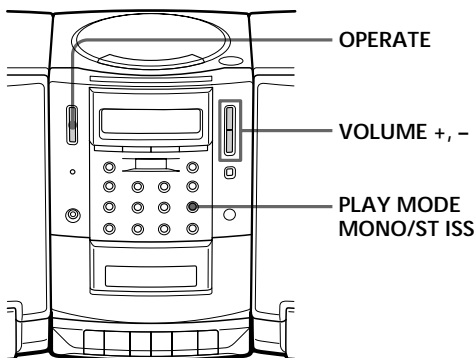
Si no consigue sintonizar una emisora, pulse el botón varias veces para cambiar la frecuencia paso por paso.

Al sintonizar una emisora de FM que ofrezca servicios RDS (Sistema de datos de radio), el nombre de la misma aparecerá en el visor y el indicador "R•D•S" se iluminará.





Utilice estos botones para realizar procedimientos adicionales



#### Consejos

- Si la emisión en FM presenta ruido, pulse **PLAY MODE•MONO/ST ISS** hasta que aparezca "MÓNO" en el visor; la radio sintonizará la emisión en modo monofónico.
- La próxima vez que desee escuchar la radio, basta con pulsar **BAND**. La radio se enciende automáticamente e inicia la reproducción de la emisora anterior.
- El sistema RDS sólo se encuentra disponible en emisoras de FM.
- Para visualizar la frecuencia al aparecer el nombre de la emisora en el visor, pulse **DSPL ENT MEM** para que "PS" desaparezca del visor.
- Si la recepción de las emisiones RDS es débil o de mala calidad, el indicador "R•D•S" se apagará.

Para	Pulse
ajustar el volumen	VOLUME +, - (VOL +, - en el mando a distancia)
encender/apagar la radio	OPERATE

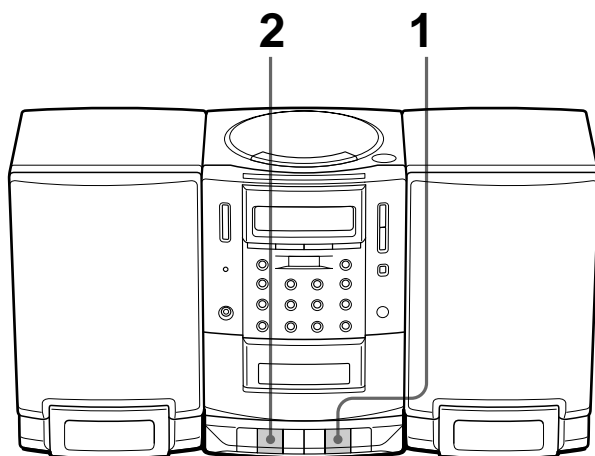
#### Para mejorar la recepción de emisoras FM

Mantenga la antena de cable de FM (suministrada) lo más horizontal posible (consulte la página 26).

#### MW/LW

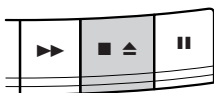
Mantenga la antena cerrada de MW/LW (suministrada) lo más alejada posible del reproductor y vuelva a orientarla (consulte la página 26).

# Reproducción de cintas



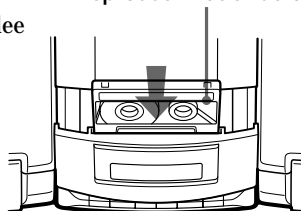
Para obtener instrucciones sobre conexiones, consulte las páginas 25 - 26.

1

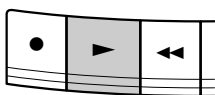


Pulse **▶** para abrir el compartimiento de cintas e inserte una cinta grabada. Emplee sólo cintas TYPE I (normal). Cierre el compartimiento.

Con la cara que desea reproducir hacia fuera



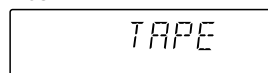
2



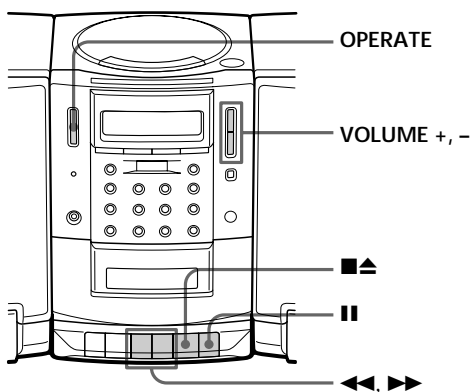
Pulse **▶**.

El reproductor se enciende (activación directa) e inicia la reproducción.

Visor



### Utilice estos botones para realizar procedimientos adicionales

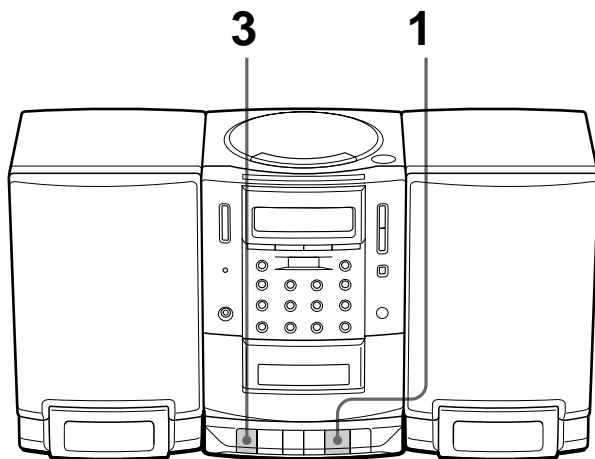


#### Consejo

La próxima vez que desee escuchar una cinta, basta con pulsar ►. El reproductor se enciende automáticamente e inicia la reproducción de la cinta.

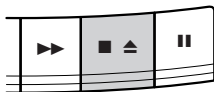
Para	Pulse
ajustar el volumen	VOLUME +, - (VOL +, - en el mando a distancia)
cesar la reproducción	■▲
avanzar rápidamente o rebobinar la cinta	▶▶, ◀◀
realizar una pausa	 Vuelva a pulsar el botón para reanudar la reproducción después de la pausa.
extraer el cassette	■▲
encender/apagar el reproductor	OPERATE

# Grabación en una cinta



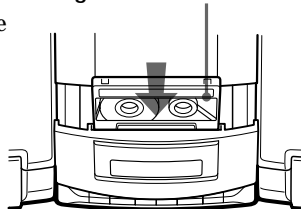
Para obtener instrucciones sobre conexiones, consulte las páginas 25 - 26.

1



Pulse **■▲** para abrir el compartimiento de cintas e inserte una cinta virgen. Emplee sólo cintas TYPE I (normal).

Con la cara que desea grabar hacia fuera



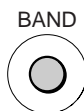
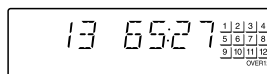
2



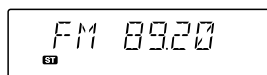
Seleccione la fuente de programa que desee grabar.

Para grabar desde el reproductor de discos compactos, inserte un CD (consulte la página 4) y pulse **■** de la sección de CD.

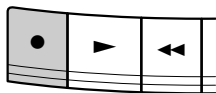
Visor



Para grabar desde la radio, sintonice la emisora deseada (consulte la página 6).

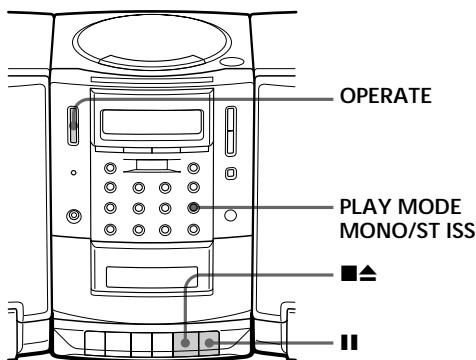


3



Pulse ● para iniciar la grabación.  
(▶ se pulsa automáticamente.)

Utilice estos botones para realizar operaciones adicionales



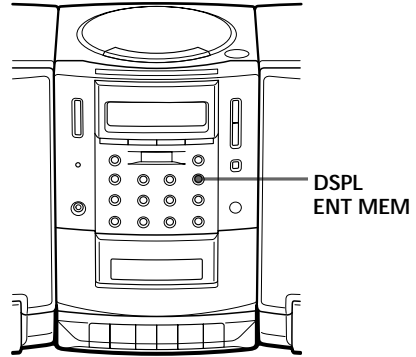
**Consejos**

- Los ajustes del volumen o del énfasis de sonido no afectarán al nivel de grabación (consulte la página 27).
- Si el programa de MW/LW emite un silbido después de pulsar ● en el paso 3, pulse PLAY MODE • MONO/ST ISS (interruptor de supresión de interferencias) varias veces hasta que el ruido se reduzca al mínimo.
- Para borrar una grabación, realice lo siguiente:
  - 1 Inserte la cinta cuya grabación desee borrar.
  - 2 Encienda la unidad.
  - 3 Pulse FUNCTION en el mando a distancia varias veces hasta que aparezca "TAPE" en el visor.
  - 4 Pulse ●.

Para	Pulse
cesar la grabación	■▲
realizar una pausa durante la grabación	
encender/apagar	OPERATE

# Utilización del visor

Puede comprobar la información sobre el disco en el visor.



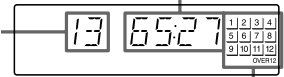
## Comprobación del número total de canciones y del tiempo de reproducción

Pulse DSPL ENT MEM en modo de parada.

Si el disco contiene más de 12 canciones, la indicación "OVER 12" aparece en el visor.

Tiempo total de reproducción

Número total de canciones



Calendario musical

## Comprobación del tiempo restante

Pulse DSPL ENT MEM mientras reproduce un disco.

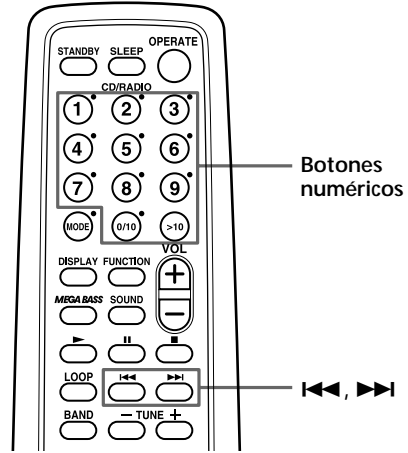
Los números de canción del calendario musical desaparecen después de reproducirse.

Para visualizar	Pulse DSPL ENT MEM
el número de canción actual y el tiempo restante de ésta*	una vez
el número de canciones restantes y el tiempo del disco restantes	dos veces
tiempo de reproducción y el número de canción actual	tres veces

\* Para las canciones de número superior a 20, el tiempo restante aparece en el visualizador con la forma "--:--".

# Localización de una canción específica

Es posible localizar rápidamente cualquier canción mediante los botones numéricos en el mando a distancia. También es posible encontrar un punto específico de una canción mientras se reproduce el disco.



## Nota

No es posible localizar una canción específica si el indicador "SHUF" o "PGM" del visor se encuentra encendido. Apague la indicación pulsando ■.

## Consejo

Cuando localice una canción con un número superior a 10, pulse en primer lugar >10 y, a continuación, los botones numéricos correspondientes.

### Ejemplo:

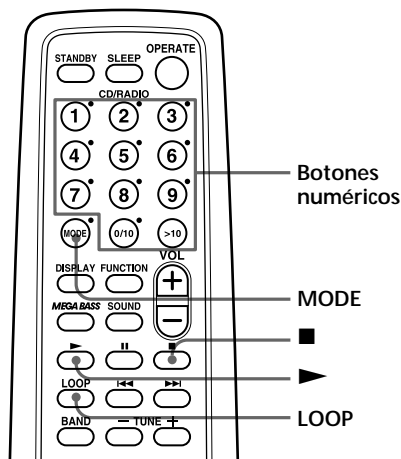
Para reproducir la canción número 23, pulse en primer lugar >10 y, a continuación, 2 y 3.

Para localizar	Pulse
directamente una canción específica	el botón numérico de la canción
un punto mientras escucha el sonido	▶▶▶ (hacia delante) o ◀◀◀ (hacia atrás) durante la reproducción y manténgalo presionado hasta encontrar el punto
un punto mientras observa el visor	▶▶▶ (hacia delante) o ◀◀◀ (hacia atrás) durante una pausa y manténgalo presionado hasta encontrar el punto

# Reproducción repetida de las canciones

(Reproducción repetida)

Puede reproducir las canciones repetidamente en los modos de reproducción normal, aleatoria o programada (consulte las páginas 15 - 17).



## En el reproductor

- Utilice PLAY MODE • MONO/ST ISS en lugar de MODE.
- Una vez seleccionado REP 1, escoja la pista pulsando ◀◀ o ▶▶ y después ▶▶.

## Consejo

Pulse y mantenga pulsado LOOP en el mando a distancia durante la reproducción para repetir una parte seleccionada de un CD. Al soltar LOOP, el reproductor vuelve a la reproducción normal.

## 1 Pulse ■.

“CD” aparece en el visor.

## 2 Proceda del siguiente modo:

Para repetir	Haga esto
una sola canción	1 Pulse MODE hasta que aparezca “REP 1”. 2 Seleccione la canción pulsando el botón numérico.
todas las canción	1 Pulse MODE hasta que aparezca “REP ALL”. 2 Pulse ▶.
canciones en orden aleatorio	1 Pulse MODE hasta que aparezca “SHUF REP”. 2 Pulse ▶.
canciones programadas	1 Pulse MODE hasta que aparezca “PGM REP”. 2 Programe las canciones (consulte el paso 3 de la página 16). 3 Pulse ▶.

## Para cancelar la reproducción repetida

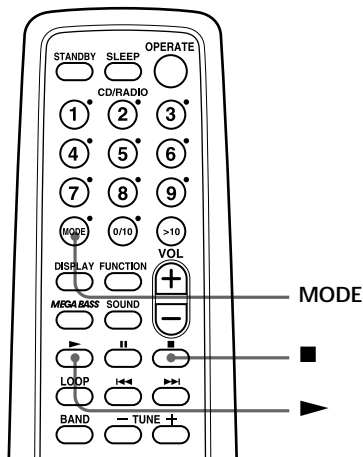
Pulse MODE hasta que “REP” desaparezca del visor.



# Reproducción de canciones en orden aleatorio

(Reproducción aleatoria)

Es posible reproducir las canciones en orden aleatorio.



En el reproductor

- 1 Pulse ■.
- 2 Pulse PLAY MODE•MONO/ST ISS hasta que aparezca "SHUF" en el visor.
- 3 Pulse ►.

- 1 Pulse ■.  
"CD" aparece en el visor.
- 2 Pulse MODE hasta que aparezca "SHUF" en el visor.
- 3 Pulse ► para iniciar la reproducción aleatoria.

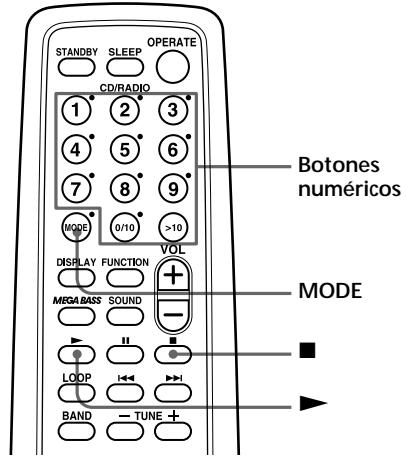
**Para cancelar la reproducción aleatoria**

Pulse MODE hasta que desaparezca "SHUF" del visor.

# Creación de su propio programa

## (Reproducción programada)

Es posible programar el orden de reproducción de hasta 20 canciones de un CD.



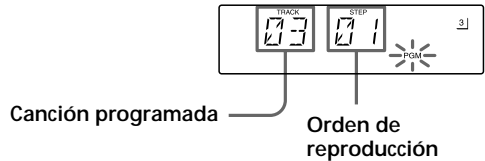
### En el reproductor

- 1 Pulse ■.
- 2 Pulse PLAY MODE•MONO/STISS hasta que "PGM" aparezca en el visor.
- 3 Pulse ◀◀ o ▶▶ y, a continuación, pulse DSPL ENT MEM para las canciones que desee programar en el orden que desee.
- 4 Pulse ▶▶.

### Consejos

- Es posible volver a reproducir el mismo programa, ya que éste queda almacenado hasta que abra el compartimento de CD.
- Puede grabar su propio programa. Una vez creado, inserte una cinta virgen y pulse ● para iniciar la grabación.

- 1 Pulse ■.  
"CD" aparece en el visor.
- 2 Pulse MODE hasta que "PGM" aparezca en el visor.
- 3 Pulse los botones numéricos de las canciones que desee programar en el orden que prefiera.



Las canciones programadas aparecen en el calendario musical.

- 4 Pulse ▶▶ para iniciar la reproducción programada.

**Para cancelar la reproducción programada**

Pulse MODE hasta que “PGM” desaparezca del visor.

**Para comprobar el orden de las canciones antes de la reproducción**

Pulse DSPL ENT MEM en el reproductor.

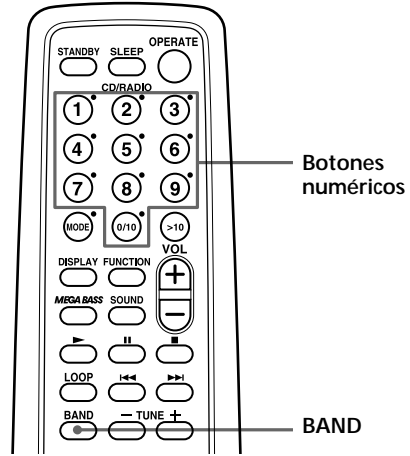
Cada vez que pulse el botón, el número de canción aparece en el orden programado.

**Para cambiar el programa actual**

Pulse ■ una vez si el CD está parado y dos veces si está reproduciéndose. El programa actual se borrará. A continuación, cree un nuevo programa siguiendo el procedimiento de programación.

# Memorización de emisoras de radiodifusión

Es posible almacenar emisoras de radio en la memoria del reproductor. Es posible predefinir hasta 30 emisoras de radio, 10 de cada banda.



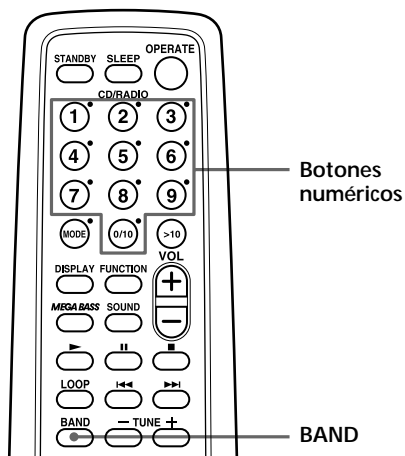
## En el reproductor

- 1 Pulse **BAND** para seleccionar la banda.
- 2 Ajuste la frecuencia en la emisora que desee.
- 3 Pulse y mantenga pulsado **DSPL ENT MEM** durante 2 segundos.
- 4 Pulse **PRESET + o -** hasta que el número de programación (de 1 a 10) en el que desee predefinir la emisora parpadee en el calendario musical.
- 5 Pulse **DSPL ENT MEM** de nuevo.

- 1 Pulse **BAND** hasta que la banda que desea predefinir aparezca en el visor.
- 2 Ajuste la frecuencia en la emisora que desee.
- 3 Pulse y mantenga pulsados los botones numéricos en las que desee predefinir la nueva emisora durante 2 segundos.

# Sintonía de emisoras almacenadas

Tras programar las emisoras, utilice los botones numéricas del mando a distancia o PRESET +/- para sintonizar sus emisoras favoritas.



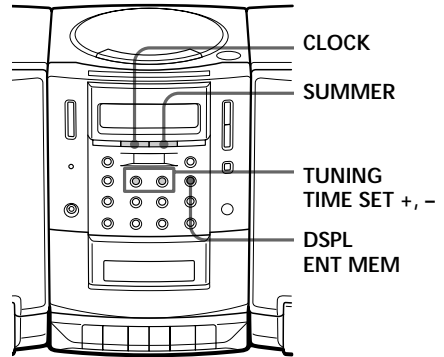
## En el reproductor

- 1 Pulse BAND para seleccionar la banda.
- 2 Pulse PRESET + o - para sintonizar una emisora almacenada.

- 1 Pulse BAND para seleccionar la banda.
- 2 Pulse los botones numéricos para sintonizar una emisora almacenada.

# Ajuste del reloj

La indicación “-:-:-” aparece en el visor hasta que ajuste el reloj.

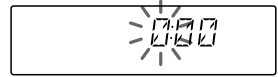


**Consejo**

Sistema de visualización de la hora:  
Sistema de 24 horas

Antes de comenzar, conecte el sistema (consulte las páginas 25 - 26).

- 1** Pulse y mantenga pulsado CLOCK durante 2 segundos hasta que los dígitos de la hora parpadeen.



- 2** Pulse TUNING•TIME SET + o - hasta ajustar la hora actual. A continuación, pulse DSPL ENT MEM.

Los dígitos de los minutos parpadean. Ajuste los minutos pulsando TUNING•TIME SET + o - hasta que aparezcan los minutos correctos.



- 3** Pulse DSPL ENT MEM.

El reloj se pone en funcionamiento a partir de 00 segundos.

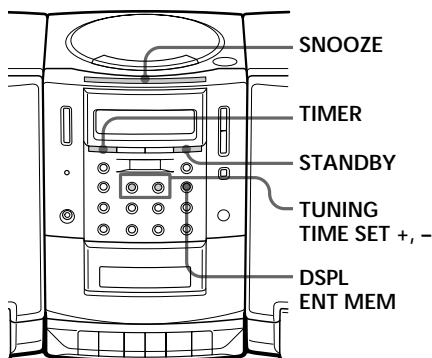
**Para que aparezca la indicación de hora de verano**  
Pulse y mantenga pulsado SUMMER durante 2 segundos.

“SUMMER” aparece en el visor y la indicación de hora cambia a la hora de verano.

**Para cancelar la indicación de hora de verano**  
Pulse y mantenga pulsado SUMMER de nuevo hasta que “SUMMER” desaparezca del visor.

# Activación automática de la unidad

Puede programar la hora de activación de la unidad para despertarse con música o un programa radiofónico. Asegúrese de haber ajustado el reloj (consulte “Ajuste del reloj” en la página 20).



Antes de comenzar, compruebe que la indicación ☉ (reloj) no está iluminada en el visor. Si lo está, pulse STANDBY.

- 1 Prepare la fuente musical que desee reproducir.

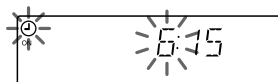
Para reproducir	Realice lo siguiente
la radio	Sintonice una emisora.
un CD	Inserte un CD.

- 2 Pulse TIMER.

La indicación ☉ (reloj) y la fuente musical (“CD” o “RADIO”) parpadean.

- 3 Seleccione la fuente musical (“CD” o “RADIO”) pulsando TUNING•TIME SET + o -, a continuación, DSPL ENT MEM.

- 4 Ajuste el temporizador a la hora que desee activar la música pulsando TUNING•TIME SET + o -, a continuación, DSPL ENT MEM.



Ajuste los minutos y, a continuación, pulse DSPL ENT MEM.

- 5 Defina el temporizador a la hora y los minutos en que desea que se desactive la música. (Realice la acción del paso 4.)

continúa

## Activación automática de la unidad (continuación)

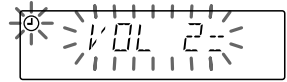
### Consejos

- Para salir del modo de espera, pulse **STANDBY** para que la indicación ☺ desaparezca del visor.
- Los ajustes programados se conservan hasta que vuelva a ajustarlos.

### Nota

Al pulsar el botón ► o ● del reproductor de cintas en el modo de temporizador:  
Si la longitud de una cara de la cinta supera la hora ajustada, el reproductor se apagará al final de la cinta, no a la hora ajustada.

- 6** Pulse **TUNING • TIME SET + o -** para ajustar el volumen y, a continuación, **DSPL ENT MEM**.



- 7** Pulse **STANDBY**.

“SNOOZE” se ilumina y la alimentación se desactiva.

A la hora programada, la unidad se encenderá y la música se reproducirá. A continuación, la unidad se apagará a la hora programada y el reproductor entrará en el modo de espera.

### Para comprobar o modificar el momento de inicio de la reproducción

Pulse **TIMER** y, a continuación, **DSPL ENT MEM**. Cada vez que pulse **DSPL ENT MEM**, aparece un ajuste almacenado en el orden definido. Para cambiar el ajuste, muestre el ajuste que desee modificar y vuelva a introducirlo.

### Para emplear el reproductor antes del inicio de una reproducción con temporizador

Basta con encender el reproductor y emplearlo con normalidad.

Si apaga el reproductor antes de la hora programada, la reproducción con temporizador se iniciará a la hora definida.

No obstante, en el caso de la radio, si escucha una emisora diferente de la sintonizada en el paso 1 de la página 21, escuchará esa emisora a la hora programada. Asegúrese de sintonizar la emisora que desee escuchar antes de apagar el reproductor.

### Para detener la reproducción

Pulse **OPERATE** para desactivar la alimentación.



**Nota**

Para activar la función "Snooze", asegúrese de que:

- quedan 6 minutos o más antes de la hora programada para que la música se desactive.
- el reproductor de cintas no se encuentre en el modo de reproducción o de grabación.

**Para que la función "Snooze" se mantenga activada durante unos minutos más**

Pulse SNOOZE.

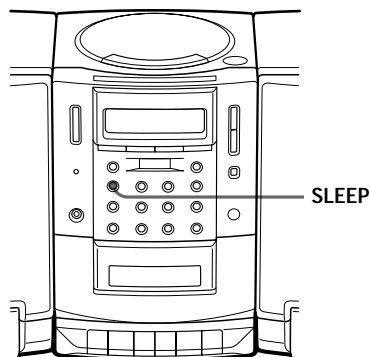
"SNOOZE" aparece en el visor y la alimentación se desactiva. El reproductor se enciende automáticamente transcurridos unos 5 minutos. La radio se enciende automáticamente. Puede repetir este proceso pulsando SNOOZE.

**Para cancelar la función "Snooze"**

Pulse OPERATE para activar la alimentación.

# Desactivación automática de la unidad

Es posible definir el reproductor para que se desactive automáticamente transcurridos 10, 20, 30, 60, 90 o 120 minutos, de forma que pueda quedarse dormido mientras escucha música.



## Consejos

- Al escuchar la radio o un CD, asegúrese de que no esté pulsado ► en el reproductor de cintas.
- Es posible dormirse y despertarse con música diferente. Ajuste primero el temporizador de activación (consulte la página 21), active la alimentación y, a continuación, ajuste el temporizador de desactivación. No obstante, no es posible almacenar emisoras de radio diferentes.
- El visualizador no se ilumina mientras el temporizador de desactivación automática está en funcionamiento (sólo PMC-R35L).

## Nota

Cuando reproduzca una cinta utilizando esta función: Si la duración de una cara de la cinta es superior al tiempo establecido, el reproductor no se apagará hasta que la cinta llegue al final.

- 1 Reproduzca la fuente musical que desee.
- 2 Pulse SLEEP para que aparezca "SLEEP".
- 3 Pulse SLEEP para seleccionar los minutos en que el reproductor se desactivará automáticamente.

Cada vez que pulse el botón, la indicación cambia como se indica a continuación:



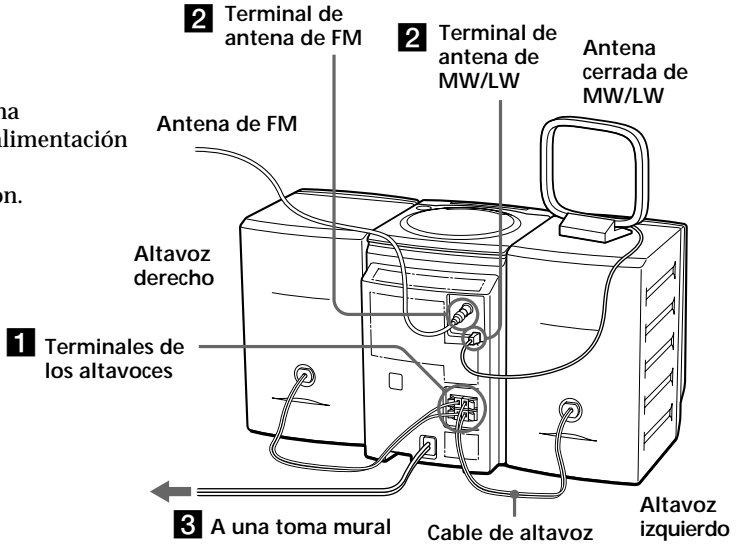
"60" → "90" → "120"  
→ sin indicación →  
"10" → "20" → "30."

## Para cancelar la función de desactivación automática

Pulse OPERATE para desactivar la alimentación.

# Conexión del sistema

Compruebe que ha desconectado la alimentación antes de realizar cualquier conexión.

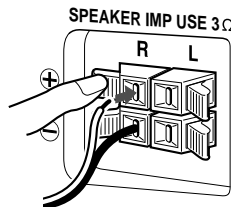


## Nota

Conecte los altavoces suministrados a este reproductor. Si utiliza otros altavoces o equipos, puede producirse un funcionamiento defectuoso.

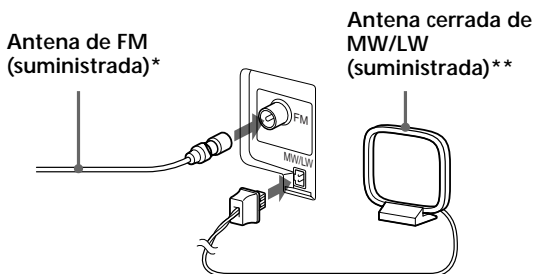
## 1 Conexión de los altavoces

Conecte los cables negros a los terminales (-) menos y los rojos a los terminales (+) más; los cables del altavoz derecho a los terminales R y los del izquierdo a L.



continúa

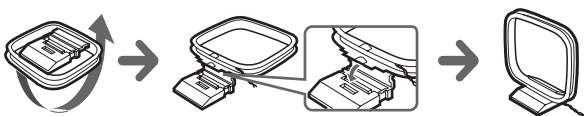
### 2 Conexión de las antenas



\* Mantenga la antena en posición horizontal en la medida de lo posible.

\*\* Reoriente la antena para mejorar la recepción de la emisión.

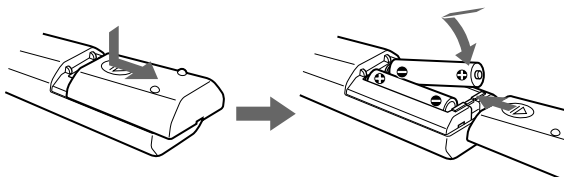
### Instalación de la antena cerrada de MW/LW



### 3 Conexión del cable de alimentación de CA

Conecte el cable de alimentación de CA a la toma mural.

### 4 Inserción de las pilas en el mando a distancia



Inserte dos pilas R6 (tamaño AA) (no suministradas)

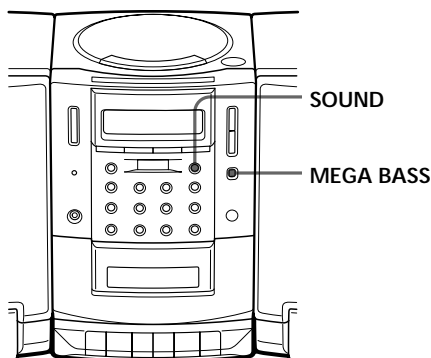
### Sustitución de las pilas

En condiciones de uso normal, la duración de las pilas es de seis meses aproximadamente. Si no consigue controlar el reproductor con el mando a distancia, sustituya todas las pilas por otras nuevas.

# Selección del énfasis de audio

## (SOUND/MEGA BASS)

Puede ajustar el énfasis de audio del sonido que esté escuchando.



### Selección de las características de sonido

Pulse SOUND para seleccionar el énfasis de audio que desee.

Elija	Para obtener
ROCK	sonidos potentes y limpios con énfasis de las gamas baja y alta de audio
POP	sonidos brillantes y ligeros con énfasis de las gamas alta y media de audio
LIVE	sonidos de percusión con énfasis de los graves
VOCAL	sonidos vocales con énfasis de la gama media de audio
OFF	la gama dinámica completa de música, como clásica

### Refuerzo de los graves

Pulse MEGA BASS.

“MEGA BASS” aparece en el visor. Para recuperar el sonido normal, vuelva a pulsar el botón.

# Precauciones

## Seguridad

- No desmonte el aparato, ya que el haz láser utilizado en la sección del reproductor de discos compactos es perjudicial para los ojos. Solicite asistencia técnica sólo a personal especializado.
- Si cae algún objeto sólido o se vierte líquido sobre el reproductor, desenchúfelo y haga que se lo revise personal especializado antes de volver a utilizarlo.

## Fuentes de alimentación

- El reproductor no estará desconectado de la fuente de alimentación de CA (corriente eléctrica) mientras esté conectado a la toma mural, incluso si ha apagado el reproductor.
- Si no va a utilizar las pilas, extráigalas para evitar daños que podría causar el derrame del electrolito o la corrosión de las mismas.
- La placa de características que indica la tensión de funcionamiento, consumo de energía, etc., está situada en la parte posterior.

## Colocación

- No deje el reproductor en un lugar cercano a fuentes térmicas ni expuesto a la luz solar directa, al polvo excesivo ni a golpes mecánicos.
- No coloque el reproductor en un lugar inclinado ni inestable.
- No coloque nada a una distancia inferior a 10 mm. de los lados del aparato. Procure no obstruir los orificios de ventilación para lograr el funcionamiento apropiado y prolongar la duración de sus componentes.
- Si deja el reproductor en el automóvil aparcado al sol, elija un lugar dentro del automóvil donde la unidad no esté expuesta a los rayos directos del sol.
- Ya que los altavoces están provistos de imanes potentes, mantenga alejados del reproductor tarjetas personales de crédito con codificación magnética y relojes de cuerda para prevenir posibles daños producidos por los imanes.

## Funcionamiento

- Si desplaza el reproductor directamente de un lugar frío a otro cálido, o si lo coloca en una sala muy húmeda, puede condensarse humedad en la lente del interior de la sección del reproductor de discos compactos. Si esto ocurre, el reproductor no funcionará adecuadamente. En este caso, extraiga el CD y espere durante una hora aproximadamente hasta que se evapore la humedad.
- Si no ha utilizado el reproductor durante mucho tiempo, déjelo durante unos minutos en el modo de reproducción para que se caliente antes de insertar un cassette.

Si desea realizar alguna consulta o solucionar algún problema referente al reproductor, póngase en contacto con el proveedor Sony más próximo.

## Notas sobre discos compactos

- Antes de la reproducción, limpie el CD con un paño de limpieza desde el centro hacia los bordes.



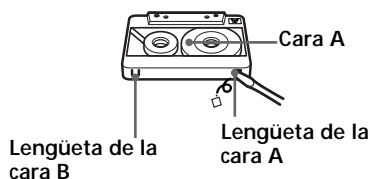
- No utilice disolventes como bencina, diluyentes, limpiadores comercialmente disponibles o rociadores antiestáticos destinados a discos analógicos.

- No exponga el CD a la luz solar directa ni a fuentes térmicas como conductos de aire caliente; tampoco lo deje en un automóvil aparcado al sol, ya que puede producirse un considerable aumento de temperatura en el interior del automóvil.
- No adhiera papeles ni adhesivos sobre el CD, ni arañe su superficie.
- Tras la reproducción, guarde el CD en su caja.

Si el disco está rayado, sucio o tiene huellas dactilares, pueden producirse errores de seguimiento.

## Notas sobre cassettes

- Rompa la lengüeta del cassette de la cara A o B para evitar grabaciones accidentales. Si desea volver a utilizar la cinta para realizar grabaciones, cubra el orificio de la lengüeta rota con cinta adhesiva.



- No se recomienda el uso de cassettes de tiempo de reproducción superior a 90 minutos, excepto para grabación o reproducción continua y de larga duración.

# Solución de problemas

	Síntoma	Solución
General	La alimentación no se activa.	<ul style="list-style-type: none"> <li>• Conecte el cable de alimentación de CA a una toma mural con firmeza.</li> </ul>
	Carencia de sonido.	<ul style="list-style-type: none"> <li>• Asegúrese de conectar correctamente los altavoces.</li> <li>• Compruebe que la función que desee emplear aparezca en el visualizador.</li> <li>• Ajuste el volumen.</li> <li>• Desenchufe los auriculares cuando escuche a través de los altavoces.</li> </ul>
	Se oye ruido.	<ul style="list-style-type: none"> <li>• Alguien está utilizando un teléfono móvil u otro equipo que emite ondas de radio cerca del reproductor. → Aleje dicho teléfono, etc., del reproductor.</li> </ul>
Reproductor de discos compactos	La indicación "NO DISC" se ilumina en el visor aunque haya un CD insertado.	<ul style="list-style-type: none"> <li>• Inserte el CD con la superficie de la etiqueta hacia arriba.</li> </ul>
	El CD no se reproduce.	<ul style="list-style-type: none"> <li>• Compruebe que el compartimiento de discos está cerrado.</li> <li>• Coloque el CD con la superficie de la etiqueta hacia arriba.</li> <li>• Limpie el CD.</li> <li>• Extraiga el CD y deje abierto el compartimiento de discos durante una hora aproximadamente hasta que se seque la condensación de humedad.</li> <li>• Asegúrese de que la indicación "CD" aparece en el visor.</li> </ul>
	Pérdida de sonido.	<ul style="list-style-type: none"> <li>• Reduzca el volumen.</li> <li>• Limpie el CD o sustitúyalo si está gravemente dañado.</li> <li>• Sitúe el reproductor en un lugar sin vibraciones.</li> </ul>
Radio	El sonido es demasiado bajo o presenta mala calidad.	<ul style="list-style-type: none"> <li>• Aleje el reproductor del televisor.</li> <li>• Si utiliza el mando a distancia mientras escucha la recepción de MW/LW, es posible que se oiga ruido. Esto es inevitable.</li> </ul>
	La imagen del televisor no es estable.	<ul style="list-style-type: none"> <li>• Si escucha un programa en FM cerca del televisor con una antena interior, aleje el reproductor del televisor.</li> </ul>
	El nombre de la emisora no aparece en el visor aunque se está escuchando un programa de FM.	<ul style="list-style-type: none"> <li>• La función RDS de este reproductor no estará activada si la emisora que se sintoniza no proporciona servicios RDS.</li> </ul>



	Síntoma	Solución
Reproductor de cintas	La cinta permanece inmóvil cuando pulsa un botón de funcionamiento.	<ul style="list-style-type: none"> <li>• Cierre el compartimento de cassettes con firmeza.</li> </ul>
	El botón ● no funciona/La cinta no se reproduce.	<ul style="list-style-type: none"> <li>• Asegúrese de que el cassette está provisto de lengüeta de seguridad.</li> <li>• Asegúrese de que la indicación "TAPE" aparece en el visor.</li> </ul>
	La cinta no se borra por completo.	<ul style="list-style-type: none"> <li>• Limpie la cabeza borradora (consulte la página 32).</li> <li>• Se está reproduciendo una fuente que se grabó en una cinta TYPE II (posición alta) o TYPE IV (metal) con esta unidad. Grabe en una cinta TYPE I (normal) y reproduzca.</li> </ul>
	La cinta no puede grabarse.	<ul style="list-style-type: none"> <li>• Asegúrese de que ha insertado la cinta correctamente.</li> <li>• Asegúrese de que el cassette está provisto de lengüeta de seguridad.</li> </ul>
	El sonido es débil o de mala calidad.	<ul style="list-style-type: none"> <li>• Limpie las cabezas, el rodillo compresor y el eje de arrastre (consulte la página 32).</li> <li>• Desmagnetice las cabezas con un desmagnetizador (consulte la página 32).</li> </ul>
	El sonido se distorsiona.	<ul style="list-style-type: none"> <li>• Está utilizando cintas TYPE II (posición alta) o TYPE IV (metal). Emplee sólo cintas TYPE I (normal).</li> </ul>
Temporizador	El temporizador no funciona.	<ul style="list-style-type: none"> <li>• Asegúrese de que el reloj muestra la hora correcta.</li> <li>• Compruebe si se ha producido un corte de suministro de CA.</li> <li>• Compruebe que el visor muestra la indicación ⊖ (reloj).</li> </ul>
Mando a distancia	El mando a distancia no funciona.	<ul style="list-style-type: none"> <li>• Asegúrese de orientar el mando a distancia hacia el sensor remoto del reproductor.</li> <li>• Elimine todos los obstáculos entre el mando a distancia y el reproductor.</li> <li>• Asegúrese de que el sensor remoto no está expuesto a iluminaciones intensas, como la luz solar directa o la luz de una lámpara fluorescente.</li> <li>• Acérquese al reproductor cuando utilice el telemando.</li> </ul>

El reproductor utiliza un microcomputador incorporado para realizar distintas operaciones. El funcionamiento puede ser inestable algunas veces debido a los cambios de las condiciones de suministro de alimentación. Si el reproductor sigue sin funcionar correctamente después de poner en práctica las soluciones anteriores, desconecte primero el cable de corriente y pulse el botón RESET, situado en la parte posterior, con un objetivo puntiagudo. Si el problema continúa, póngase en contacto con el proveedor Sony más próximo.

# Mantenimiento

## Limpieza de la lente

Si la lente se ensucia, pueden producirse pérdidas de sonido durante la reproducción del CD. Limpiela con un soplador disponible en las tiendas del ramo.

## Limpieza de las cabezas y la trayectoria de la cinta

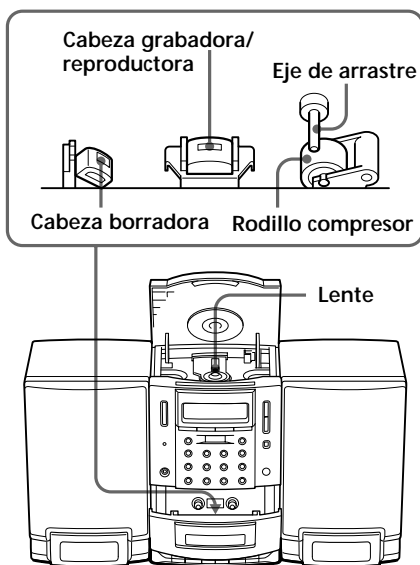
Para obtener una calidad de reproducción y grabación óptima, limpie las cabezas, el rodillo compresor y el eje de arrastre con una escobilla de limpieza ligeramente humedecida en un líquido limpiador o alcohol cada 10 horas de funcionamiento. Sin embargo, para realizar grabaciones con la mayor calidad posible, se recomienda limpiar todas las superficies por las que se desplaza la cinta antes de cada grabación.

## Desmagnetización de las cabezas de cinta

Tras 20 a 30 horas de uso, se concentra suficiente cantidad de magnetismo residual en las cabezas de cinta para empezar a causar pérdida de sonido de alta frecuencia y siseo. Llegado este momento, deben desmagnetizarse las cabezas y todos los componentes de metal del recorrido de la cinta con un desmagnetizador de cabezas que podrá adquirir en una tienda del ramo.

## Limpieza del exterior

Limpe la caja, el panel y los controles con un paño suave ligeramente humedecido en una solución detergente poco concentrada. No utilice estropajos, detergentes abrasivos ni disolventes como alcohol o bencina.



Una vez realizada la limpieza, inserte una cinta cuando las zonas limpiadas estén completamente secas.

# Especificaciones

## Sección del reproductor de discos compactos

- Sistema**  
Sistema audiodigital de discos compactos
- Propiedades del diodo láser**  
Material: GaAlAs  
Longitud de onda: 780 nm  
Duración de emisión: Continua  
Salida de láser: Menos de 44,6  $\mu$ W  
(Esta salida es el valor medido a una distancia de unos 200 mm de la superficie del objetivo del bloque fonocaptor óptico con una apertura de 7 mm.)
- Velocidad del eje**  
200 rev./min. (rpm) a 500 rev./min. (rpm) (CLV)
- Número de canales**  
2
- Respuesta de frecuencia**  
20 - 20.000 Hz +1/-2 dB
- Fluctuación y trémolo**  
Por debajo del límite medible

## Sección de la radio

### Margen de frecuencias

FM	87,5 - 108 MHz
MW	531 - 1.602 kHz
LW	153 - 279 kHz

### IF

- FM: 10,7 MHz  
MW/LW: 450 kHz

### Antenas

- FM: Terminal de antena exterior  
MW/LW: Terminal de antena exterior

## Sección del deck de cassettes

- Sistema de grabación**  
4 pistas, 2 canales estéreo
- Tiempo de bobinado rápido**  
120 s (seg.) aprox. con cassettes Sony C-60
- Respuesta de frecuencia**  
TYPE I (normal): 70 - 10.000 Hz

## General

- Altavoz**  
Gama completa : 10 cm. de diám.,  
3 ohmios, tipo cónico (2)
- Salidas**  
Toma de auriculares (minitoma estéreo)  
Para auriculares de 16 - 68 ohmios de impedancia
- Salida máxima de potencia**  
4,5 W + 4,5 W
- Requisitos de alimentación**  
Para el sistema de componentes personal:  
230 V CA, 50 Hz  
Mando a distancia:  
3 V CC, 2 pilas de R6 (tamaño AA)
- Consumo**  
CA 23 W
- Dimensiones (incluyendo partes salientes)**  
Reproductor: 160 × 249 × 227 mm. aprox. (an/al/f)  
Altavoz: 150 × 245 × 192 mm. aprox. (an/al/f)
- Peso**  
Reproductor: 2,8 kg. aprox.  
Altavoz: 1,2 kg. aprox.
- Accesorios suministrados**  
Mando a distancia (1)  
Antena de cable de FM (1)  
Antena cerrada de MW/LW (1)

El diseño y las especificaciones están sujetos a cambio sin previo aviso.

## Accesorios opcionales

- Auriculares de la serie MDR Sony

---

# Índice alfabético

## A, B

Ajuste del reloj 20

## C

Conexión 25

Conexión del cable de alimentación de CA 26

Creación de su propio programa 16

## D

Desmagnetización de las cabezas de cinta 32

## E, F

Emisoras de radio  
memorización 18  
sintonía 19

Énfasis de audio 27

## G

Grabación en una cinta 10

## H, I, J, K

Hora de verano 20

## L

Limpieza

cabezas y recorrido de cinta 32

exterior 32

lente 32

Localización de una canción específica 13

LOOP 14

## M, N, O

MEGA BASS 27

Mejora de la recepción de emisoras 7

Memorización de emisoras de radiodifusión 18

## P, Q

Pilas

para el mando a distancia 26

Preparativos 25

## R

Radio 6

RDS 7

Reproducción

canciones de forma repetida 14

emisoras de radio programadas 19

un CD 4

una cinta 8

Reproducción aleatoria 15

Reproducción programada 16

Reproducción repetida 14

Reproductor de CD 12

## S

Selección

canciones 5

énfasis de audio 27

SNOOZE 23

Solución de problemas 30

SOUND 27

## T

Temporizador

Activación automática de la unidad 21

Desactivación automática de la unidad 24

Para que la función "Snooze" se mantenga activada durante unos minutos más 23

## U

Utilización del visor 12

## V, W, X, Y, Z

Visor 12