

## Precautions

- Do not continuously drive the speaker system over the power handling capacity.
- Keep recorded tapes, watches, and personal credit cards using magnetic coding away from the speaker system to protect them from damage caused by the magnets in the speakers.

If you cannot find an appropriate mounting location, consult your car dealer or your nearest Sony dealer before mounting.

## Before Mounting

- A depth of at least 43 mm is required for mounting the speaker. Keep the following in mind when choosing a mounting location.
- A hole may already be provided in the metal frame of the front door.
- **Nothing should interfere with the speaker inside the door.**
- The speaker inside the door must not come into contact with the window when it is open.
- Be careful that speakers are out of the way of the window cranks, door handles, and arm rests.

If you cannot find an appropriate mounting location, check with your car dealer or consult the nearest Sony dealer.

# Speaker

## Instructions

### *XS-104D (10 cm Dual Cone)* *XS-104W (10 cm 2-way)*

Sony Corporation © 1999 Printed in India

## Specifications

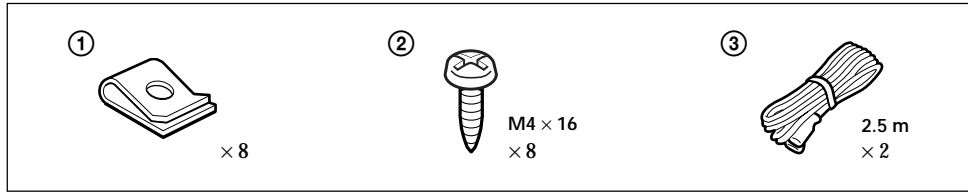
<b>XS-104D</b>	
Speaker	Dual cone type Full range 10 cm, paper cone type
Maximum input power	45 W
Rated input power	15 W
Impedance	4 ohms
Sensitivity	89 dB/W/m
Frequency response	50 – 20,000 Hz
Mass	Approx. 392 g per speaker

<b>XS-104W</b>	
Speaker	Coaxial 2-way: Woofer 10 cm, paper cone type Tweeter 4 cm, paper cone type
Maximum input power	45 W
Rated input power	15 W
Impedance	4 ohms
Sensitivity	89 dB/W/m
Frequency response	50 – 21,000 Hz
Mass	Approx. 420 g per speaker

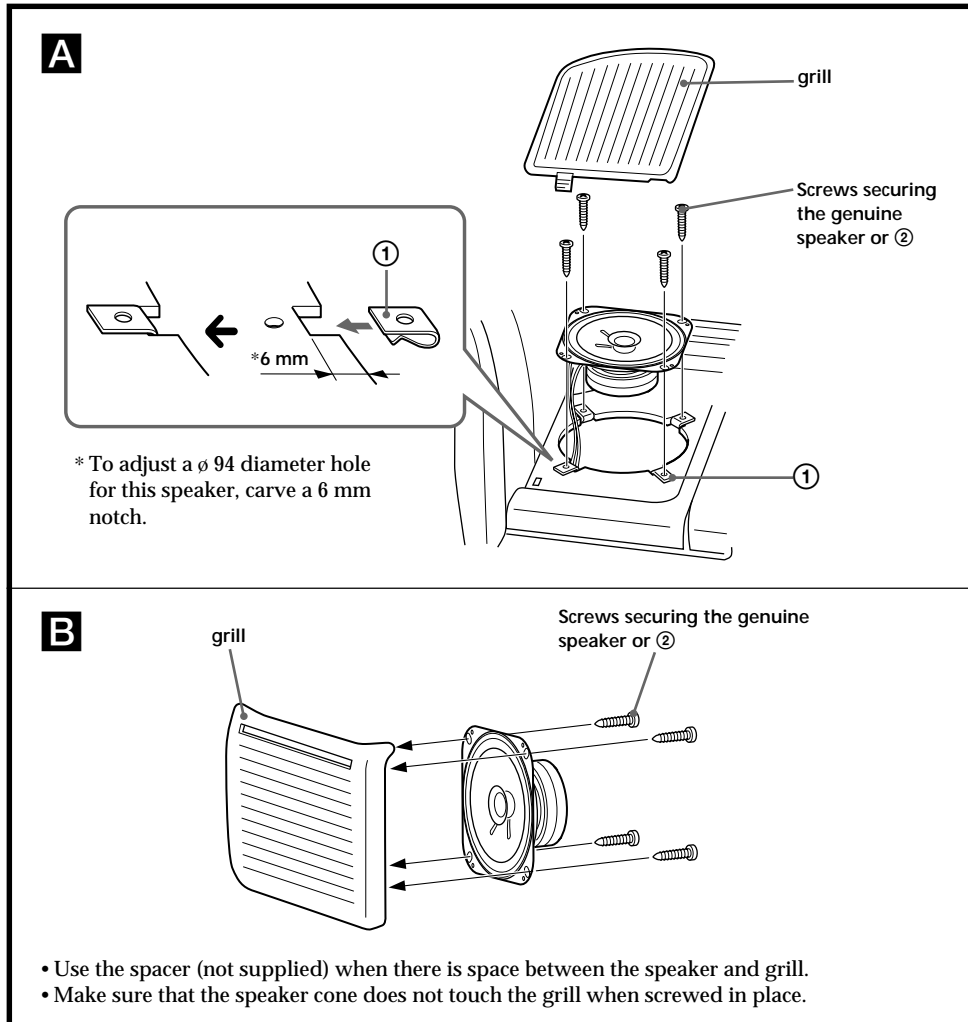
*Design and specifications are subject to change without notice.*

# Mounting

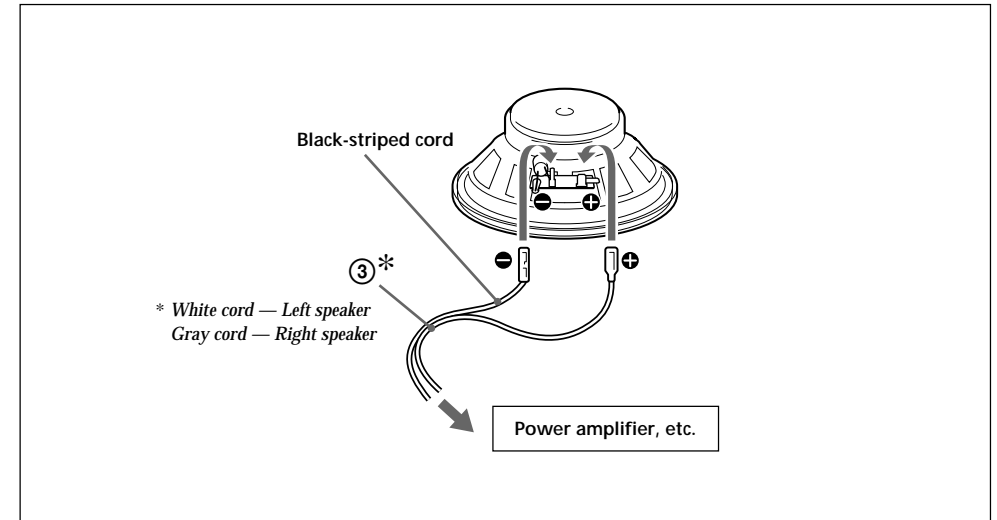
## Parts List



## Mounting example (showing XS-104D)

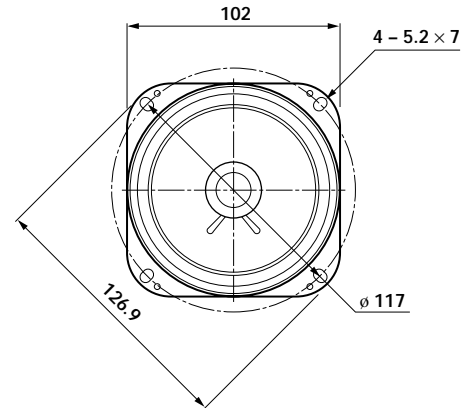


# Connecting

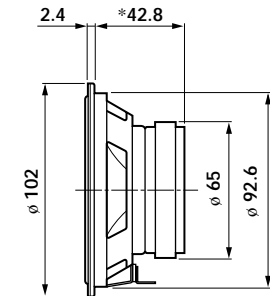


## Dimensions (unit: mm)

XS-104D:



\* Mounting depth



XS-104W:

