

Precautions

- Do not tamper with the four holes on the upper surface of the unit. They are for tuner adjustments to be made only by service technicians.
- Choose the installation location carefully so the unit will not interfere with normal driving.
- Avoid installing the unit in areas subject to dust, dirt, excessive vibration, or high temperatures, such as in direct sunlight or near heater duct.
- Use only the supplied mounting hardware for a safe and secure installation.

Mounting angle adjustment

Adjust the mounting angle to less than 60°.

How to detach and attach the front panel

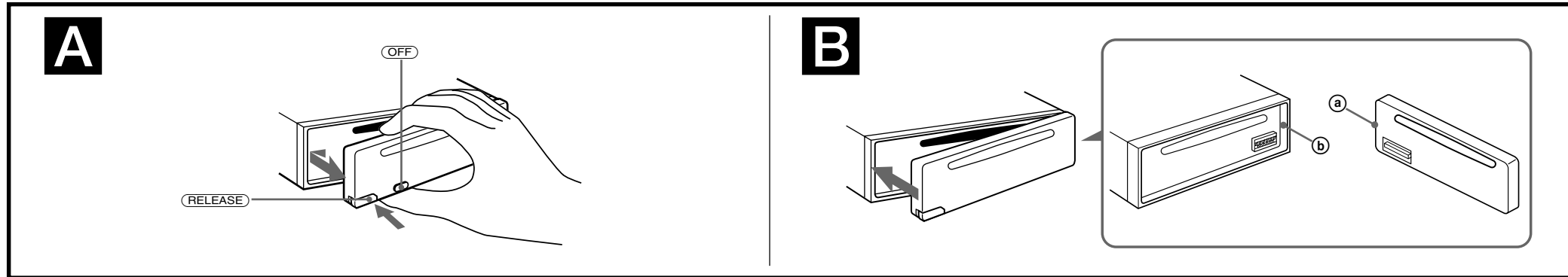
Before installing the unit, detach the front panel.

A To detach

Before detaching the front panel, be sure to press **OFF** to turn off the unit. Then press **RELEASE**, slide the front panel a little to the left, and pull it off toward you.

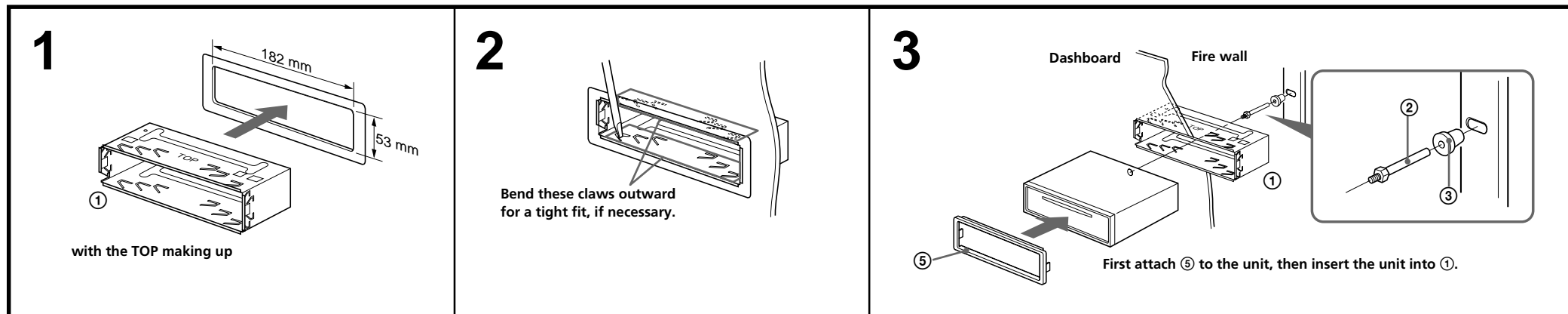
B To attach

Align parts **a** and **b**, and push the front panel until it clicks.



Mounting example

Installation in the dashboard

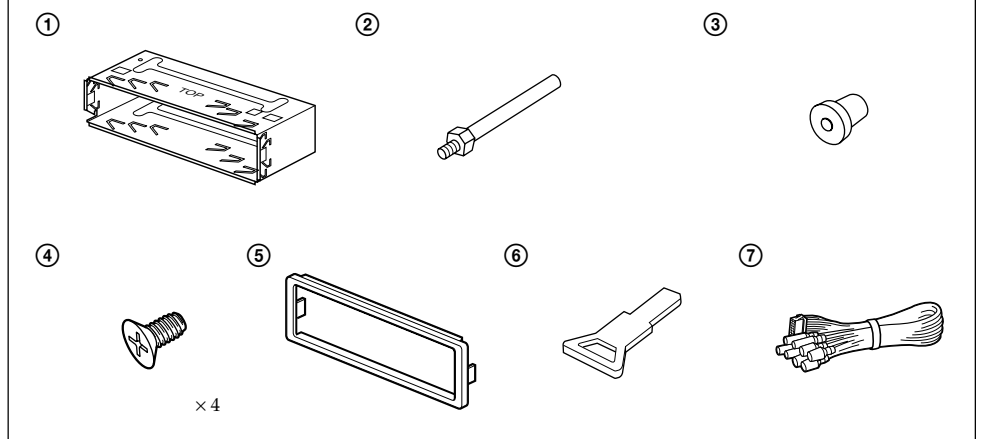


CDX-4507

Sony Corporation © 1999 Printed in South Africa

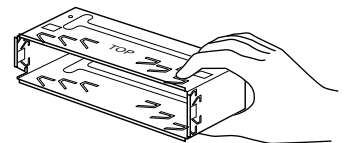
Parts list

The numbers in the list are keyed to those in the instructions. The release key **3** is used for dismantling the unit. See the operating instruction manual for details.



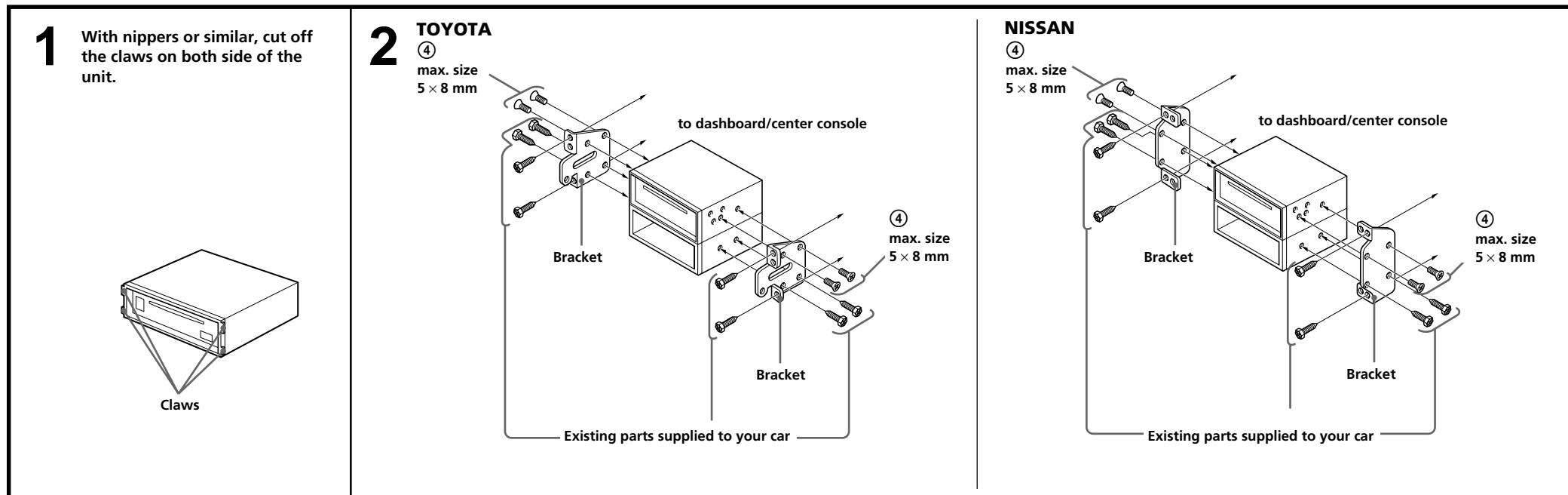
Caution

Cautionary notice for handling the bracket **4**. Handle the bracket carefully to avoid injuring your fingers.



Mounting the unit in a Japanese car

You may not be able to install this unit in some makes of Japanese cars. In such a case, consult your Sony dealer.



Note

To prevent malfunctions, install only with the supplied screws **4**.

Connections

Caution

- This unit is designed for negative earth 12 V DC operation only.
- Before making connections, disconnect the earth terminal of the car battery to avoid short circuits.
- Connect the **yellow** and **red** power input leads only after all other leads have been connected.
- Be sure to connect the red power input lead to the positive 12 V power terminal which is energized when the ignition key is in the accessory position.
- **Run all earth wires to a common earth point.**
- Connect the yellow cord to a free car circuit rated higher than the unit's fuse rating. If you connect this unit in series with other stereo components, the car circuit they are connected to must be rated higher than the sum of the individual component's fuse rating. If there are no car circuits rated as high as the unit's fuse rating, connect the unit directly to the battery. If no car circuits are available for connecting this unit, connect the unit to a car circuit rated higher than the unit's fuse rating in such a way that if the unit blows its fuse, no other circuits will be cut off.

If your car has an accessory position on the ignition key switch

— POWER SELECT function

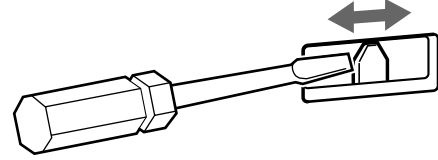
To turn the Power Select function on
Press **(OFF)** while pressing **(SOUND)**.

The Power Select function ties the clock display power to the accessory position on the ignition key switch.

To avoid battery wear, the clock is not displayed while the unit is initializing.

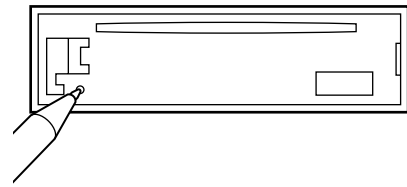
Frequency select switch

The AM (FM) tuning interval is factory-set to the 9K (50k) position. If the frequency allocation system of your country is based on 10 kHz (200 kHz) interval, set the switch on the bottom of the unit to the 10K (200K) position before making connections.



Reset button

When the installation and connections are complete, be sure to press the reset button with a ballpoint pen etc.



Connection example

Notes on the control leads

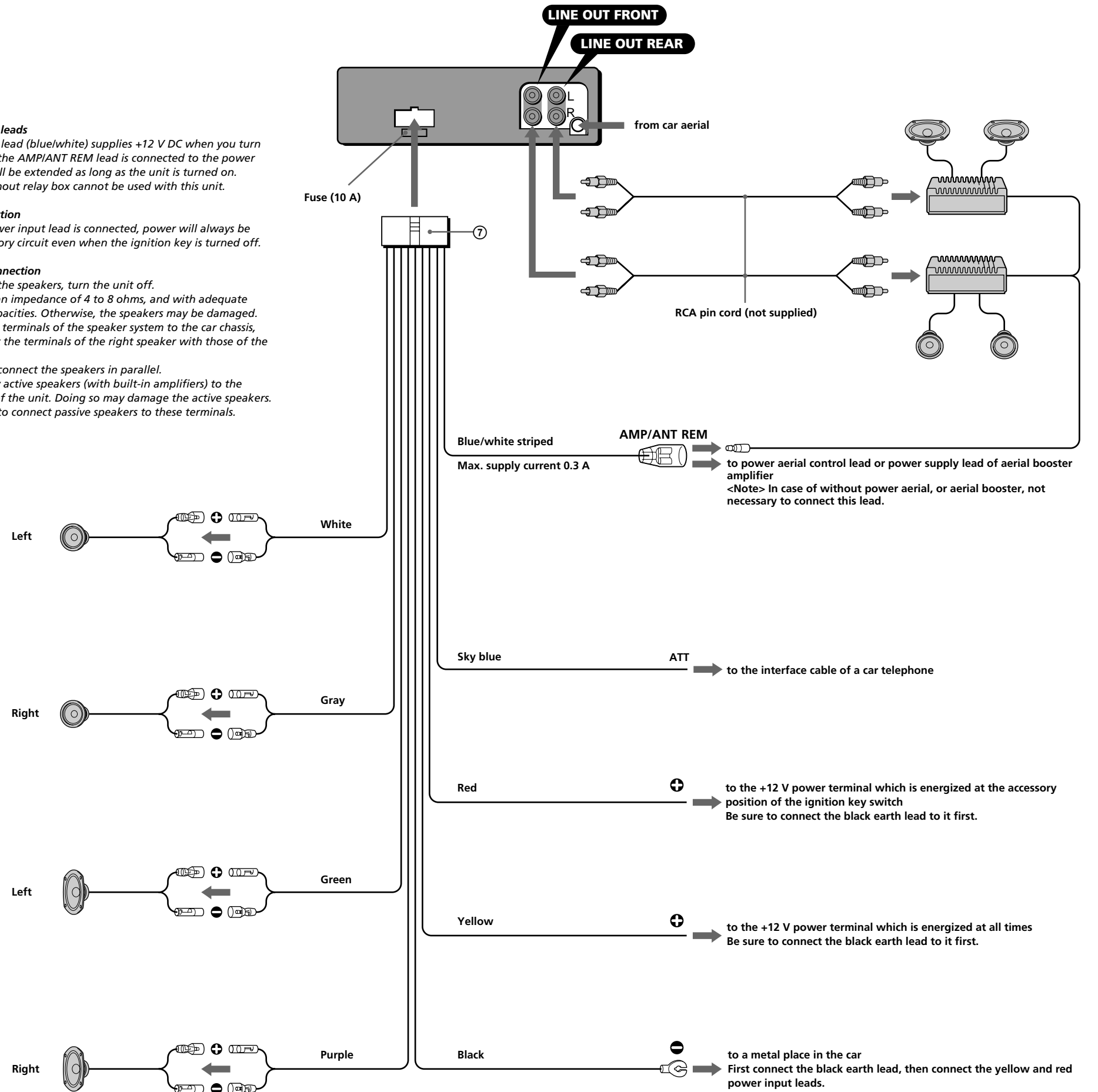
- The AMP/ANT REM lead (blue/white) supplies +12 V DC when you turn on the unit. When the AMP/ANT REM lead is connected to the power aerial, the aerial will be extended as long as the unit is turned on.
- A power aerial without relay box cannot be used with this unit.

Memory hold connection

When the yellow power input lead is connected, power will always be supplied to the memory circuit even when the ignition key is turned off.

Notes on speaker connection

- Before connecting the speakers, turn the unit off.
- Use speakers with an impedance of 4 to 8 ohms, and with adequate power handling capacities. Otherwise, the speakers may be damaged.
- Do not connect the terminals of the speaker system to the car chassis, and do not connect the terminals of the right speaker with those of the left speaker.
- Do not attempt to connect the speakers in parallel.
- Do not connect any active speakers (with built-in amplifiers) to the speaker terminals of the unit. Doing so may damage the active speakers. Therefore, be sure to connect passive speakers to these terminals.



Connection diagram

