

Mini Hi-Fi Component System

Operating Instructions



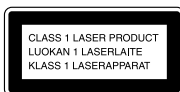
*MHC-GRX80J/GRX80/R880
MHC-RXD8S/RXD8*

WARNING

To prevent fire or shock hazard, do not expose the unit to rain or moisture.

To avoid electrical shock, do not open the cabinet. Refer servicing to qualified personnel only.

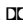
Do not install the appliance in a confined space, such as a bookcase or built-in cabinet.



This appliance is classified as a CLASS 1 LASER product. The CLASS 1 LASER PRODUCT MARKING is located on the rear exterior.

This stereo system is equipped with the Dolby B-type noise reduction system*.

* Manufactured under license from Dolby Laboratories Licensing Corporation.

DOLBY and the double-D symbol  are trademarks of Dolby Laboratories Licensing Corporation.



АЯ46

Table of Contents

Getting Started

Step 1: Hooking up the system	4
Step 2: Setting the time	6
Step 3: Presetting radio stations	7
Saving the power in standby mode	9

Basic Operations

Playing a CD	10
Recording a CD	12
Listening to the radio	13
Recording from the radio	14
Playing a tape	15
Recording from a tape	17

The CD Player

Using the CD display	18
Playing the CD tracks repeatedly	19
Playing the CD tracks in random order	20
Programming the CD tracks	21
Playing CDs without interruption	22

The Tape Deck

Recording on a tape manually	23
Recording a CD by specifying track order	24

DJ Effects

Looping part of a CD	26
Flashing part of a CD	26
Using the drum pads	27
Using the beat functions	28

Sound Adjustment

Adjusting the sound	31
Selecting the audio emphasis	32
Changing the spectrum analyzer display	33
Selecting surround effects	34
Adjusting the graphic equalizer	34
Making a personal audio emphasis file	35

Other Features

Using the Radio Data System (RDS)*	37
Singing along: Karaoke	39
Falling asleep to music	41
Waking up to music	42
Timer-recording radio programs	43

Optional AV components

Connecting audio components	44
Connecting a VCR	46
Connecting outdoor antennas	46

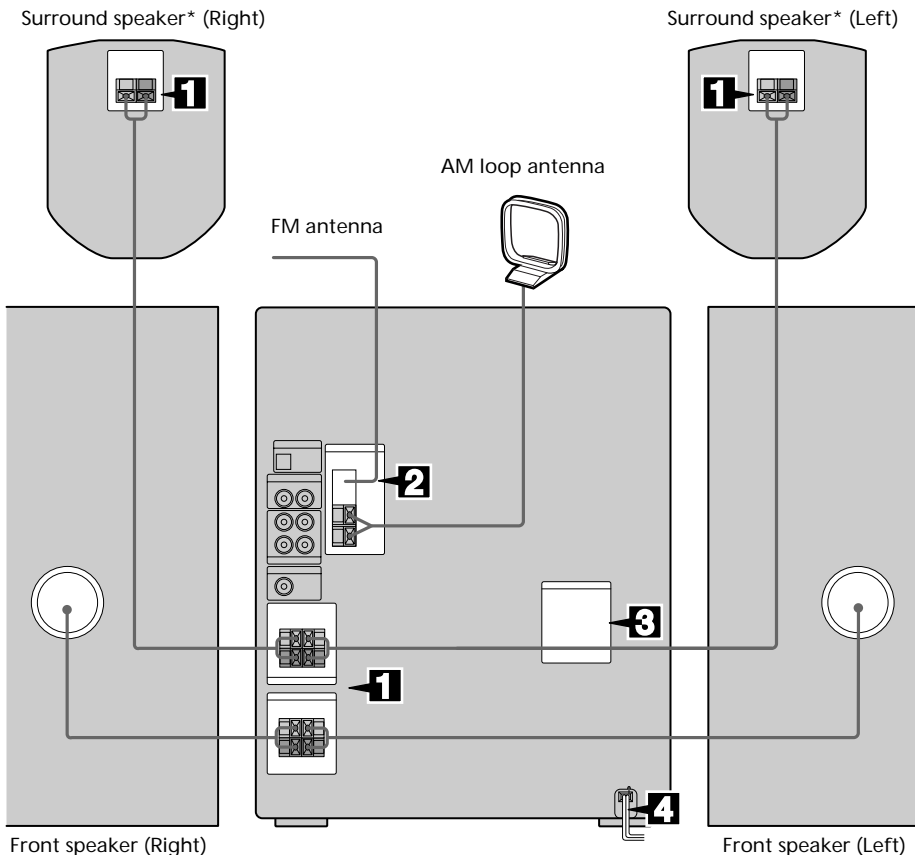
Additional Information

Precautions	48
Troubleshooting	49
Specifications	52
Index	Back cover

* European model only.

Step 1: Hooking up the system

Do the following procedure **1** to **4** to hook up your system using the supplied cords and accessories.

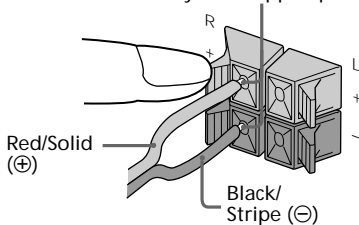


* MHC-GRX80J/GRX80/R880/RXD8S only

1 Connect the speakers.

- 1 Connect the speaker cords of front speakers to the SPEAKER jacks as below. For the front speakers with jacks, connect the speaker cords to the speaker in the same way.

Insert only the stripped portion.

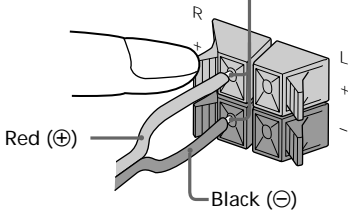


Notes

- Keep the speaker cords away from the antennas to prevent noise.
 - The type of speakers supplied vary according to the model you purchased (see "Specifications" on page 52).
- 2 (MHC-GRX80J/GRX80/R880/RXD8S only)
Connect the speaker cords from the surround speakers to the appropriate SURROUND SPEAKER jacks. Connect the red cords to the red jacks and connect the black cords to the black jacks.

Keep the speaker cords away from the antennas to prevent noise.

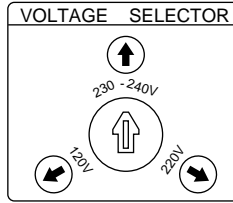
Insert only the stripped portion.



Notes

- Do not place the surround speakers on top of a TV. This may cause distortion of the colors in the TV screen.
- Be sure to connect both left and right surround speakers. Otherwise, the sound will not be heard.

3 For models with a voltage selector, set **VOLTAGE SELECTOR** to position of your local power line voltage.



4 Connect the power cord to a wall outlet.

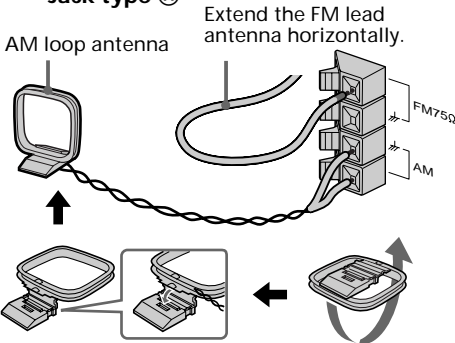
The demonstration appears in the display. When you press | / ⏻, the system turns on and the demonstration automatically ends.

If the supplied adapter on the plug does not fit your wall outlet, detach it from the plug (only for models equipped with an adapter).

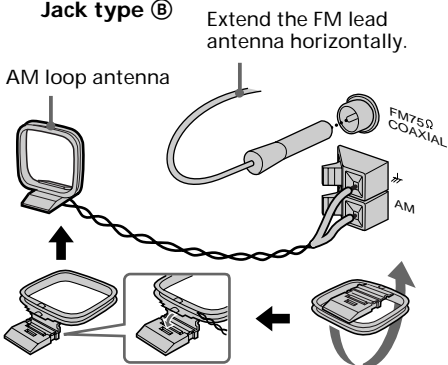
2 Connect the FM/AM antennas.

Set up the AM loop antenna, then connect it.

Jack type A



Jack type B



To connect optional AV components

See page 44.

To deactivate the demonstration

When you set the time (Step 2: Setting the time), the demonstration is deactivated.

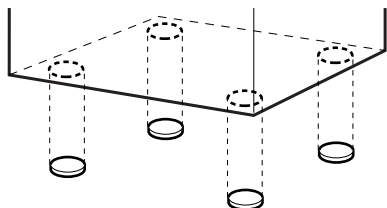
To activate/deactivate the demonstration again, press DISPLAY (for MHC-RXD8/RXD8S) or DEMO (STANDBY) (for MHC-GRX80J/GRX80/R880) while the system is off.

continued

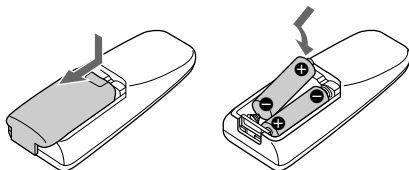
Step 1: Hooking up the system (continued)

To attach the front speaker pads

Attach the supplied front speaker pads to the bottom of the speakers to stabilize the speakers and prevent them from slipping.



Inserting two size AA (R6) batteries into the remote



Tip

With normal use, the batteries should last for about six months. When the remote no longer operates the system, replace both batteries with new ones.

Note

If you do not use the remote for a long period of time, remove the batteries to avoid possible damage from battery leakage.

When carrying this system

Do the following to protect the CD mechanism.

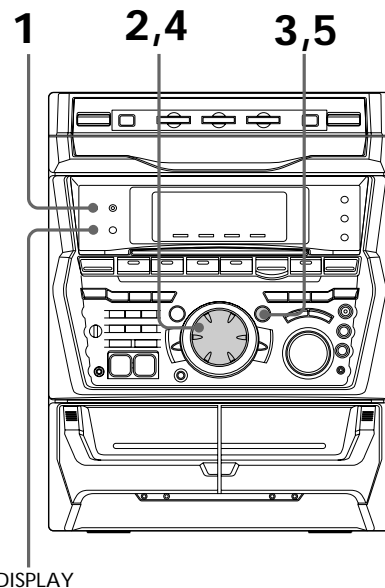
- 1 Press FUNCTION repeatedly until "CD" appears in the display.
- 2 Hold down LOOP and press | / ⏻ so that "LOCK" appears in the display.

Step 2: Setting the time

You must set the time before using the timer functions.

The clock is on a 24-hour system for the European and Russian models, and a 12-hour system for other models.

The 24-hour system model is used for illustration purposes.



- 1 Press CLOCK/TIMER SET.
The hour indication flashes.

- 2 Turn the jog dial to set the hour.

-
- 3** Press ENTER/NEXT.
The minute indication flashes.

-
- 4** Turn the jog dial to set the minute.

-
- 5** Press ENTER/NEXT.
The clock starts working.
-

Tip

If you've made a mistake, start over from step 1.

To change the time

The previous explanation shows you how to set the time while the power is off. To change the time while the power is on, do the following:

- 1 Press CLOCK/TIMER SET.
- 2 Turn the jog dial to select SET CLOCK.
- 3 Press ENTER/NEXT.
- 4 Perform steps 2 through 5 above.

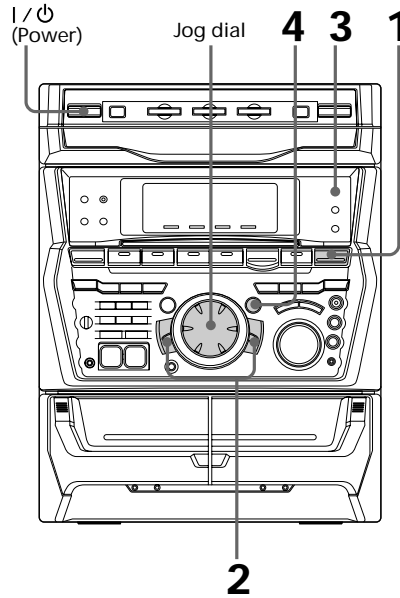
Note

The clock settings are canceled when you disconnect the power cord or if a power failure occurs.

Step 3: Presetting radio stations

You can preset the following number of stations:

- 2 band model: 20 for FM, 10 for AM.
- 3 band model: 20 for FM, 10 for MW, and 10 for SW, or 20 for FM, 10 for AM, and 5 for UKV, depending on the model you purchased.



continued

Step 3: Presetting radio stations (continued)

- 1 Press TUNER/BAND repeatedly until the band you want appears in the display.

The bands you can receive vary depending on the model you purchased. Be sure to check which bands you can receive.

Every time you press this button, the band changes as follows:

2 band model:

FM ↔ AM

3 band model:

FM → MW → SW



or

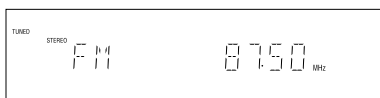
FM → AM → UKV*



* "STEREO PLUS" is displayed when you select UKV.

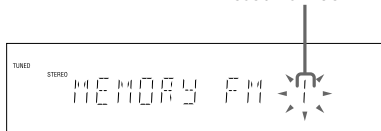
- 2 Press and hold + or - until the frequency indication starts to change, then release.

Scanning stops when the system tunes in a station. "TUNED" and "STEREO" (for a stereo program) appear.



- 3 Press TUNER MEMORY. A preset number appears in the display. The stations are stored from preset number 1.

Preset number



- 4 Press ENTER/NEXT. The station is stored.

- 5 Repeat steps 1 to 4 to store other stations.

To tune in a station with a weak signal

Press + or - repeatedly in step 2 to tune in the station manually.

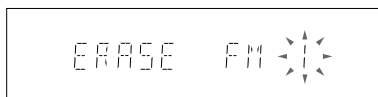
To set another station to the exist preset number

Start over from step 1. After step 3, turn the jog dial to select the preset number you want to store the other station.

You can add a new preset number after the last preset number.

To erase the preset station

- 1 Keep pressing TUNER MEMORY until a preset number appears in the display.



- 2 Turn the jog dial to select the preset number you want to erase. Select "ALL ERASE" when you want to erase all the preset stations.
- 3 Press ENTER/NEXT. "COMPLETE" appears.

When you erase a preset number, the preset number decreases by one and all preset numbers following the erased one are renumbered.

To change the AM tuning interval (Except for the European and Middle Eastern models)

The AM tuning interval is factory set to 9 kHz (10 kHz in some areas). To change the AM tuning interval, tune in any AM station first, then turn off the power. While holding down the ENTER/NEXT button, turn the power back on. When you change the interval, AM preset stations will be erased. To reset the interval, repeat the same procedure.

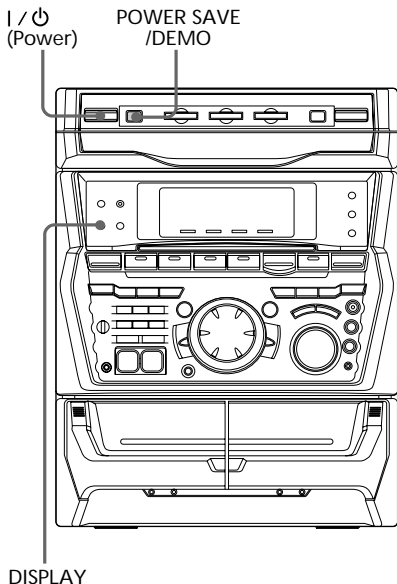
Tip

The preset stations are retained for half a day even if you unplug the power cord or if a power failure occurs.

Saving the power in standby mode

(For MHC-RXD8S/RXD8 only)

You can lower the power consumption to a minimum (Power Saving Mode) and save energy in the standby mode.



➔ Press POWER SAVE/DEMO when the power is off.

The system switches to the Power Saving Mode and the clock display disappears.

The system is powering on/off by pressing I / ⏻.

Tips

- Each time you press POWER SAVE/DEMO in the Power Saving Mode, the display switches between the Power Saving Mode and the demo mode.
- I / ⏻ indicator and timer indicator (when the timer is set) light up even in the Power Saving Mode.
- The timer works in the Power Saving Mode.

Notes

- You cannot set the time in the Power Saving Mode.
- One Touch Play function does not work in the Power Saving Mode.

To cancel the Power Saving Mode

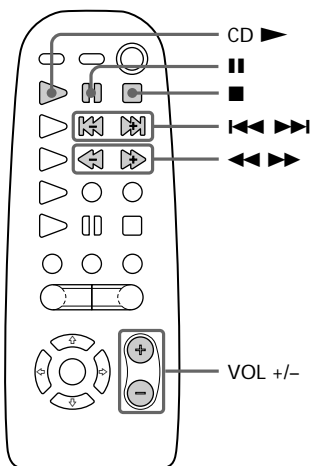
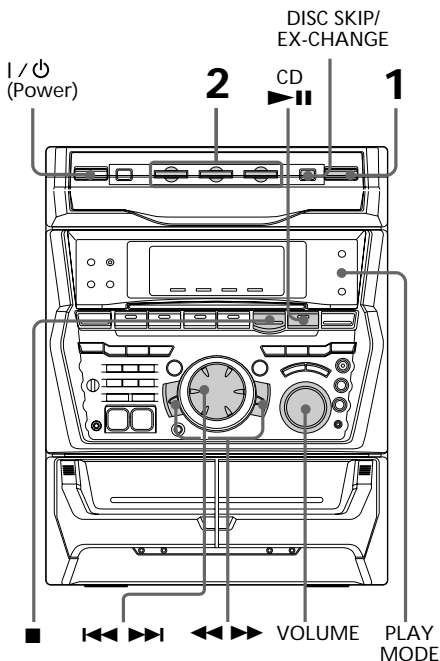
Press DISPLAY.

The clock display appears.

Playing a CD

— Normal play

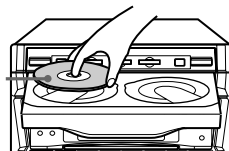
You can play up to three CDs in a row.



- 1 Press and place up to two CDs on the disc tray.

If a disc is not placed properly, it will not be recognized.

With the label side up. When you play a single CD, place it on the inner circle of the tray.

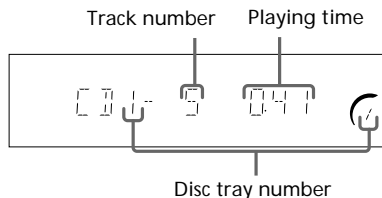


To insert a third disc, press DISC SKIP/ EX-CHANGE to rotate the disc tray.

- 2 Press one of the DISC 1~3 buttons.

The disc tray closes and play starts.

If you press CD (or CD on the remote) when the disc tray is closed, play starts from the CD loaded on the tray whose button is lit green.



To	Do this
Stop play	Press ■.
Pause	Press CD ► (on the remote). Press again to resume play.
Select a track	During play or pause, turn the jog dial clockwise (to go forward) or counterclockwise (to go back) and release it when you reach the desired track. (Or press ► (to go forward) or ◄ (to go back) on the remote.)
Find a point in a track	Press and hold down ►► or ◄◄ during play and release it at the desired point.
Select a CD in stop mode	Press a DISC 1-3 button or DISC SKIP/EX-CHANGE.
Play only the CD you have selected	Press PLAY MODE repeatedly until "1 DISC" appears.
Play all CDs	Press PLAY MODE repeatedly until "ALL DISCS" appears.
Remove the CD	Press ⏏.
Exchange other CDs while playing	Press DISC SKIP/EX-CHANGE.
Adjust the volume	Turn VOLUME (or press VOL +/- on the remote).

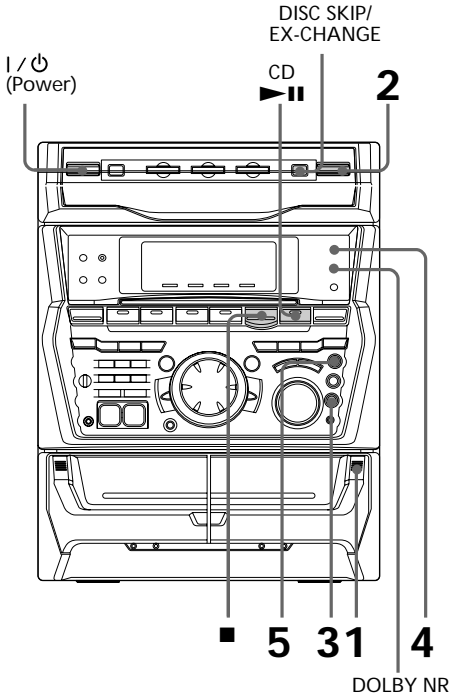
Tips

- Pressing CD ►|| when the power is off automatically turns the power on and starts CD playback if there is a CD in the tray (One Touch Play). When the system is in the Power Saving Mode, the One Touch Play function does not work.
- You can switch from another source to the CD player and start playing a CD just by pressing CD ►|| or the DISC 1-3 buttons (Automatic Source Selection).
- If there is no CD in the player, "CD NO DISC" appears in the display.
- When a disc tray holding a CD is selected (or playing), the DISC 1-3 button for that tray lights green. When a disc tray holding a CD is not selected, the DISC 1-3 button for that tray lights orange. When all disc trays are empty, the DISC 1-3 buttons all light green.

Recording a CD

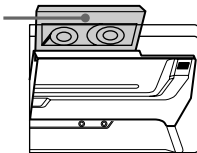
— CD Synchro Recording

The CD SYNC button lets you record from a CD to a tape easily. You can use TYPE I (normal) or TYPE II (CrO₂) tapes. The recording level is adjusted automatically.



- 1 Press and insert a blank tape into deck B.

With the side you want to record facing forward



- 2 Press and place a CD.
Then press again to close the disc tray.
If the indicator for the tray you want to record is not lit green, press DISC SKIP/EX-CHANGE repeatedly so that it lights green.

With the label side up. When you play a single CD, place it on the inner circle of the tray.



- 3 Press CD SYNC.
Deck B stands by for recording and the CD player stands by for playback. The indicator on TAPE B (for front side) lights up.
- 4 Press DIRECTION repeatedly to select to record on one side. Select (or RELAY) to record on both sides.
- 5 Press REC PAUSE/START.
Recording starts.

To stop recording

Press .

Tips

- If you want to record from the reverse side, press TAPE B to light its indicator after pressing CD SYNC.
- When you record on both sides, be sure to start from the front side. If you start from the reverse side, recording stops at the end of the reverse side.
- When you want to reduce the hiss noise in low-level high-frequency signals, press DOLBY NR so that "DOLBY NR" appears after pressing CD SYNC.

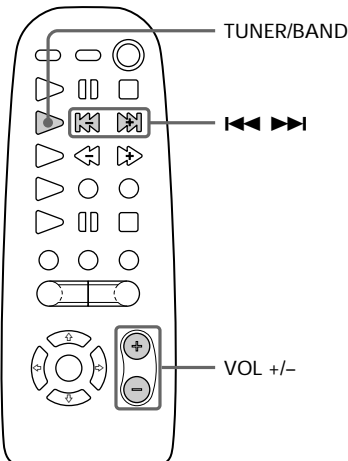
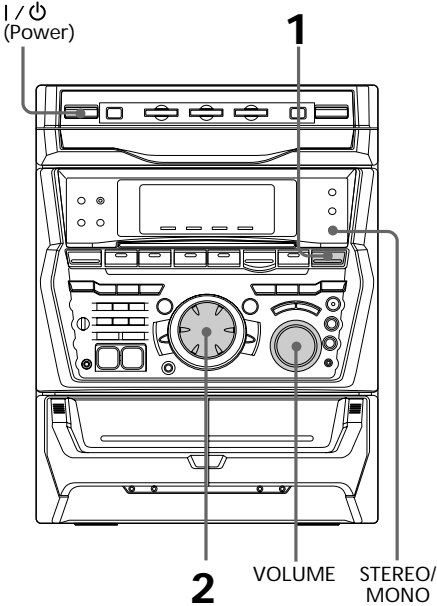
Note

You cannot listen to other sources while recording.

Listening to the radio

-- Preset Tuning

Preset radio stations in the tuner's memory first (see "Step 3: Presetting radio stations").



- 1 Press TUNER/BAND repeatedly until the band you want appears in the display.

The bands you can receive vary depending on the model you purchased. Be sure to check which bands you can receive.

Every time you press the button, the band changes as follows:

2 band model:

FM ↔ AM

3 band model:

FM → MW → SW



or

FM → AM → UKV*



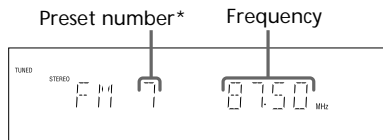
* "STEREO PLUS" is displayed when you select UKV.

- 2 Turn the jog dial (or press ◀◀ or ▶▶ on the remote) to tune in the desired preset station.

Turn counter-clockwise (or press ◀◀ on the remote) for lower preset numbers.



Turn clockwise (or press ▶▶ on the remote) for higher preset numbers.



* When only one station is preset, "ONE PRESET" appears in the display.

To	Do this
Turn off the radio	Press / ⏻.
Adjust the volume	Turn VOLUME (or press VOL +/- on the remote).

continued

Listening to the radio (continued)

To listen to non-preset radio stations

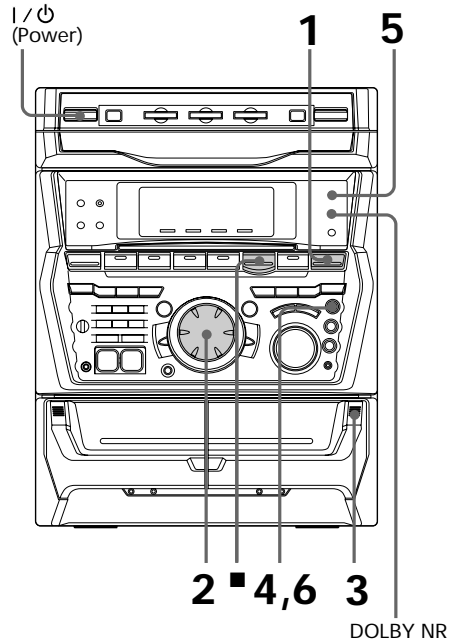
Use manual or automatic tuning in step 2.
For manual tuning, press + or - repeatedly.
For automatic tuning, press and hold + or -.

Tips

- Pressing TUNER/BAND when the power is off automatically turns the power on and tunes to the last received station (One Touch Play). When the system is in the Power Saving Mode, the One Touch Play function does not work.
- You can switch from another source to the radio just by pressing TUNER/BAND (Automatic Source Selection).
- When an FM program is noisy, press STEREO/MONO so that "MONO" appears in the display. There will be no stereo effect, but the reception will improve. Press the button again to restore the stereo effect.
- To improve broadcast reception, reorient the supplied antennas.

Recording from the radio

You can record the radio program on a tape by calling up a preset station. You can use TYPE I (normal) or TYPE II (CrO₂) tapes. The recording level is automatically adjusted.



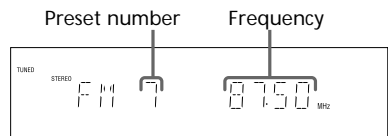
1 Press TUNER/BAND to select the band you want.

2 Turn the jog dial to tune in a preset station.

Turn counter-clockwise for lower preset numbers.

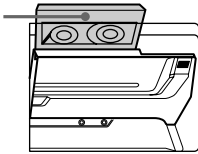


Turn clockwise for higher preset numbers.



- Press and insert a blank tape into deck B.

With the side you want to record facing forward



- Press REC PAUSE/START. Deck B stands by for recording.

- Press DIRECTION repeatedly to select to record on one side. Select (or RELAY) to record on both sides.

- Press REC PAUSE/START. Recording starts.

To stop recording

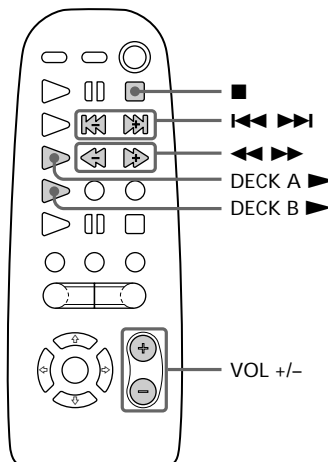
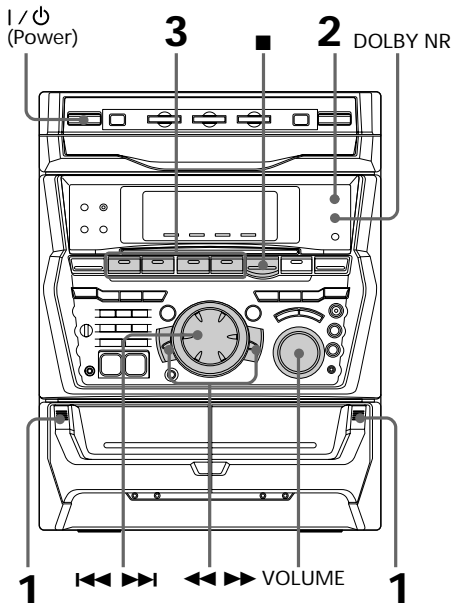
Press .

Tips

- If you want to record from the reverse side, press TAPE B to light its indicator after pressing REC PAUSE/START in step 4.
- When you record on both sides, be sure to start from the front side. If you start from the reverse side, recording stops at the end of the reverse side.
- To record non-preset stations, use + and - in step 2 to tune in the desired station manually.
- When you want to reduce the hiss noise in low-level high-frequency signals, press DOLBY NR so that "DOLBY NR" appears after pressing REC PAUSE/START in step 4.
- If noise is heard while recording from the radio, move the respective antenna to reduce the noise.


Playing a tape

You can use any type of tape, TYPE I (normal), TYPE II (CrO₂) or TYPE IV (metal), since the deck automatically detects the tape type. You can also use the jog dial's AMS* functions to quickly search for songs you want to hear. To select either deck A or B, press DECK A or DECK B on the remote.

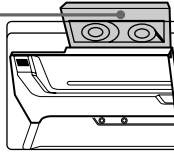


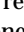

continued


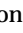
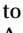
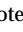
Playing a tape (continued)

- 1 Press  and insert a recorded tape in deck A or B.

With the side you want to play facing forward









- 2 Press DIRECTION repeatedly to select  to play one side. Select * to play both sides. To play both decks in succession, select RELAY (relay play).**

- 3 Press TAPE A (or TAPE B)  (DECK A (or DECK B)  on the remote). Press TAPE A (or TAPE B)  to play the reverse side. (Press DECK A (or DECK B)  again on the remote to play the reverse side.) The tape starts playing.


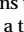
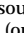
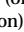
* The deck stops automatically after repeating the sequence five times.

** Relay play always follows the following sequence:

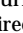
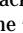


Deck A (front side), Deck A (reverse side), Deck B (front side), Deck B (reverse side).

To	Do this
Stop play	Press  .
Fast-forward	Press  or  .
Rewind	Press  or  .
Remove the cassette	Press  .
Adjust the volume	Turn VOLUME (or press VOL +/- on the remote).

Tips

- Pressing TAPE A (or TAPE B)  or  when the power is off automatically turns the power on and starts tape playback if there is a tape in the deck (One Touch Play). When the system is in the Power Saving Mode, the One Touch Play function does not work.
- You can switch from another source to the tape deck just by pressing TAPE A (or TAPE B)  or  (Automatic Source Selection).
- When you want to reduce the hiss noise in low-level high-frequency signals, press DOLBY NR so that "DOLBY NR" appears.

Searching for the beginning of a track (AMS*)

During playback, turn the jog dial the same direction as the  or  indicator to go forward. Turn the opposite direction to go back. (Or press  or  on the remote.)

The search direction, + (forward) or - (back), and number of songs being skipped (1-9) appear in the display.

Example: searching forward 2 songs

TAPE A:)) +2

* AMS (Automatic Music Sensor)

Notes

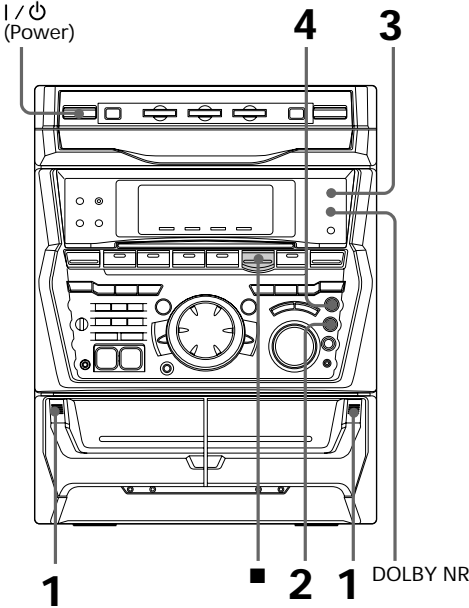
The AMS function may not operate correctly under the following circumstances:

- When the unrecorded space between songs is less than 4 seconds long.
- If completely different information is recorded on the left and right channels.
- When there are continuous sections of extremely low level or low frequency sound (like those of a baritone sax).
- When the unit is placed near a television. (In this case, we recommend moving the unit farther away from the television or turning off the television.)

Recording from a tape

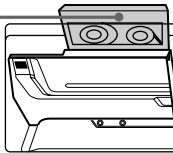
— High-speed Dubbing

You can use TYPE I (normal) or TYPE II (CrO₂) tapes. The recording level is automatically adjusted.



- 1 Press and insert a recorded tape in deck A and a blank tape in deck B.

With the side you want to play/record facing forward



- 2 Press HI-DUB.
Deck B stands by for recording.

- 3 Press DIRECTION repeatedly to select to record on one side. Select (or RELAY) to record on both sides.

- 4 Press REC PAUSE/START.
Dubbing starts.

To stop dubbing

Press .

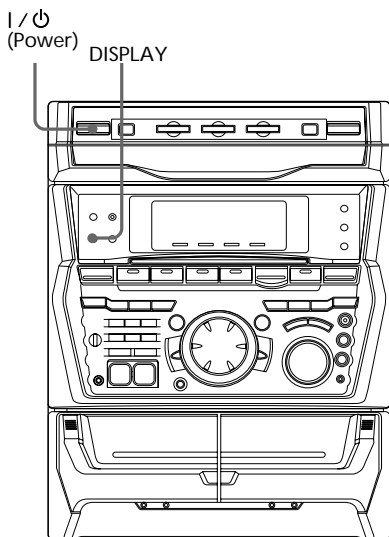
Tips

- When you dub on both sides, start recording from the front side. If you record from the reverse side, recording stops at the end of the reverse side.
- If you set DIRECTION to when the tapes you use have different lengths, the tape in each deck reverses independently. If you select RELAY, the tapes in both decks reverse together.
- You don't have to set DOLBY NR, since the tape in deck B is automatically recorded in the same state as the tape in deck A.

Using the CD display

You can check the remaining time of the current track or that of the CD.

When a CD TEXT disc is loaded, you can check the information stored on the disc, such as the disc titles or artist names. When the unit detects CD TEXT discs, the "CD TEXT" indication appears in the display.



➔ Press DISPLAY.

Each time you press the button during normal playback or in the stop mode, the display changes as follows:

During normal playback

- ➔ Playing time on the current track
- ↓
- Remaining time on the current track
- ↓
- Remaining time on current CD (1 DISC mode) or "--:--" display (ALL DISCS mode)
- ↓
- Title name of the current track*
- ↓
- Clock display (for eight seconds)
- ↓
- Effect (P FILE) name or "EFFECT ON (OFF)"

In the stop mode

- ➔ Title name of the CD*
- ↓
- Artist information*
- ↓
- Total number of tracks and total playing time
- ↓
- Clock display (for eight seconds)
- ↓
- Effect (P FILE) name or "EFFECT ON (OFF)"

* With CD TEXT discs only (certain characters cannot be displayed). When the disc contains more than 20 tracks, CD TEXT is not displayed from track 21 on.

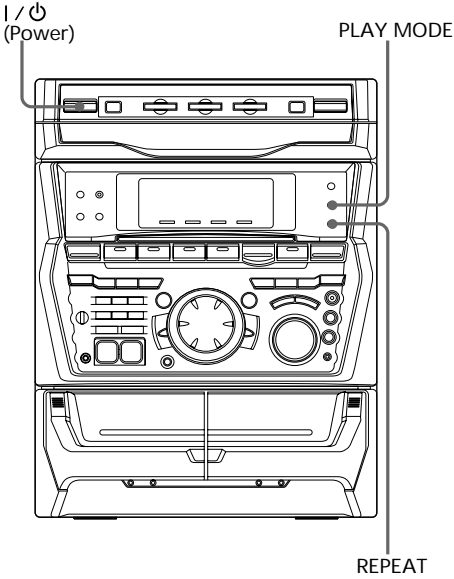
Playing the CD tracks repeatedly

-- Repeat Play

This function lets you repeat a single CD or all CDs in normal play, Shuffle Play and Program Play.

To cancel Repeat Play

Press REPEAT so that "REPEAT" or "REPEAT 1" disappears from the display.



➔ Press REPEAT during playback until "REPEAT" appears in the display.

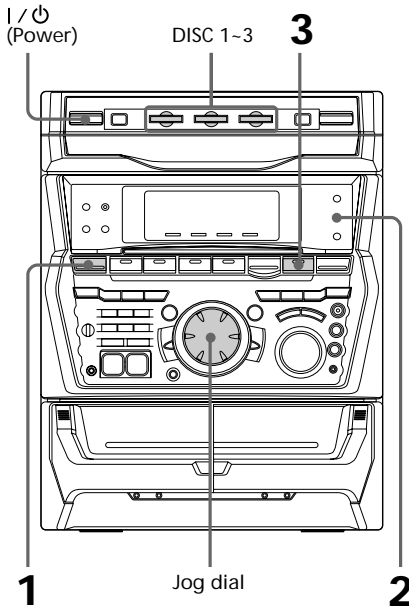
Repeat Play starts. Do the following procedure to change the repeat mode.

To repeat	Press
All the tracks on the current CD	PLAY MODE repeatedly until "1 DISC" appears in the display.
All the tracks on all CDs	PLAY MODE repeatedly until "ALL DISCS" appears in the display.
Only one track	REPEAT repeatedly until "REPEAT 1" appears in the display while playing the track you want to repeat.

Playing the CD tracks in random order

— Shuffle Play

You can play all the tracks on one CD or all CDs in random order.



- 1** Press FUNCTION repeatedly until “CD” appears in the display, then place a CD.
- 2** Press PLAY MODE repeatedly until “1 DISC SHUFFLE ” or “ALL DISCS SHUFFLE” appears in the display. “ALL DISCS” shuffles all the CDs in the player. “1 DISC” shuffles the CD whose DISC indicator is green.
- 3** Press CD ►||. All the tracks play in random order.

To cancel Shuffle Play

Press PLAY MODE repeatedly until “SHUFFLE” or “PROGRAM” disappears from the display. The tracks continue playing in their original order.

To select a desired CD

Press DISC 1~3.

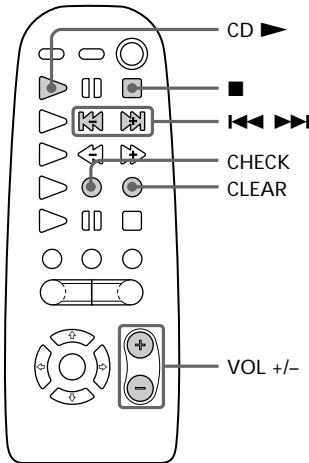
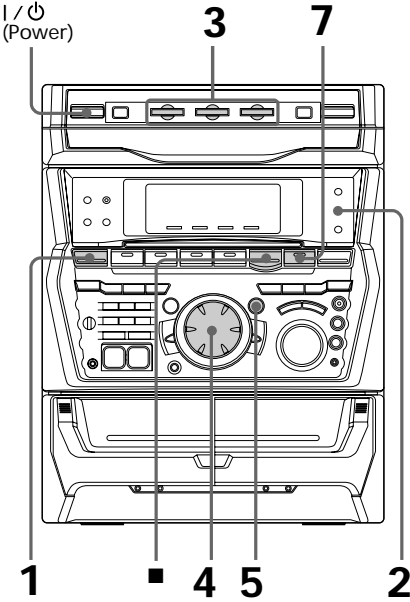
Tips

- You can start Shuffle Play during normal play by pressing PLAY MODE repeatedly to select “SHUFFLE”.
- To skip a track, turn the jog dial clockwise (or press ► on the remote).

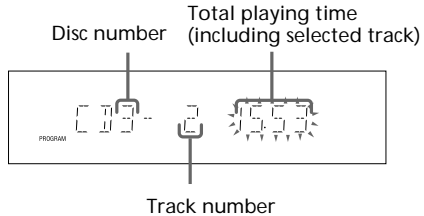
Programming the CD tracks

— Program Play

You can make a program of up to 32 tracks from all the CDs in the order you want them to be played.



- 1** Press FUNCTION repeatedly until “CD” appears in the display, then place a CD.
- 2** Press PLAY MODE repeatedly until “PROGRAM” appears in the display.
- 3** Press one of the DISC 1~3 buttons to select a CD.
- 4** Turn the jog dial until the desired track appears in the display.



- 5** Press ENTER/NEXT.
The track is programmed. The program step number appears, followed by the total playing time.
- 6** To program additional tracks, repeat steps 3 to 5.
Skip step 3 to select tracks from the same disc.
- 7** Press CD ►||.
All the tracks play in the order you selected.

continued

Programming the CD tracks (continued)

To cancel Program Play

Press PLAY MODE repeatedly until "PROGRAM" or "SHUFFLE" disappears from the display.

To	Press
Check the program	CHECK on the remote repeatedly. After the last track, "CHECK END" appears.
Clear a track from the end	CLEAR on the remote in stop mode.
Clear a specific track	CHECK on the remote repeatedly until the number of the track to be erased lights up, then press CLEAR.
Add a track to the program	1 Select the disc tray with a DISC 1~3 button. 2 Select the track by turning the jog dial. 3 Press ENTER/NEXT.
Clear the entire program	■ once in stop mode or twice while playing.

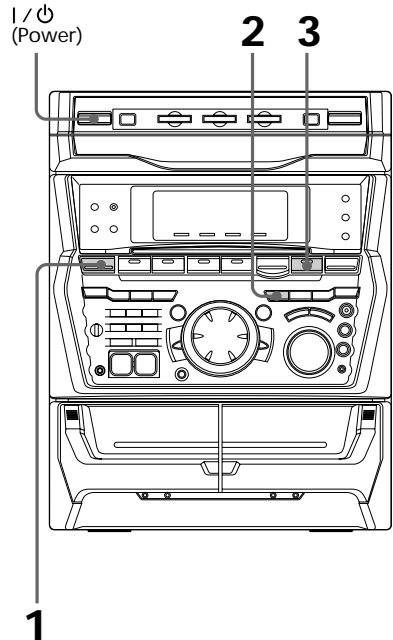
Tips

- The program you made remains in the CD player even after it has been played back. Press CD ►|| to play the same program again.
- If "--:--" appears instead of the total playing time during programming, this means:
 - you have programmed a track number which exceeds 20.
 - the total playing time has exceeded 100 minutes.

Playing CDs without interruption

— Non-Stop Play

You can play CDs without pausing between tracks.



1 Press FUNCTION repeatedly until "CD" appears in the display, then place a CD.

2 Press NON-STOP to light the indicator. "NON-STOP PLAY" appears in the display.

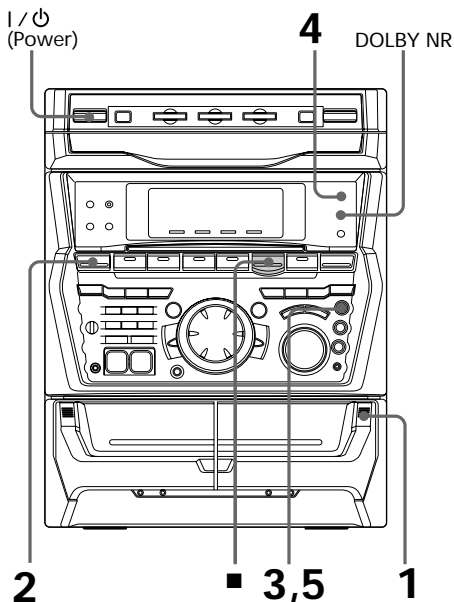
3 Press CD ►||.

To cancel Non-Stop Play

Press NON-STOP so that the indicator goes out and "NON-STOP OFF" appears in the display.

Recording on a tape manually

You can record from CD, tape, or radio as you like. For example, you can record just the songs you want or record from the middle of the tape. The recording level is adjusted automatically.



1 Insert a blank tape into deck B.

2 Press FUNCTION repeatedly until the source you want to record (e.g., CD) appears.

3 Press REC PAUSE/START. Deck B stands by for recording. The indicator on TAPE B ► (for front side) lights up.

4 Press DIRECTION repeatedly to select ◀▶ to record on one side. Select ↔ (or RELAY) to record on both sides.

5 Press REC PAUSE/START. Recording starts.

6 Start playing the source to be recorded.

To	Press
Stop recording	■.
Pause recording	REC PAUSE/START.

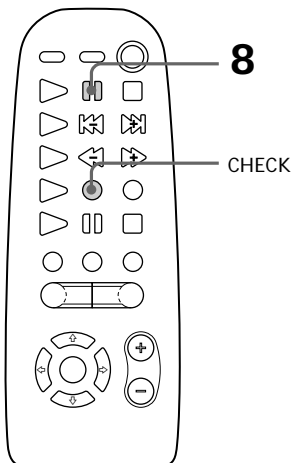
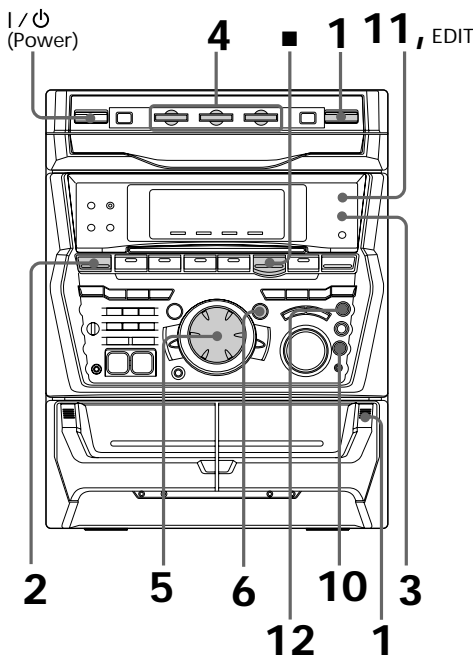
Tips

- If you want to record from the reverse side, press TAPE B ◀ to light its indicator after pressing REC PAUSE/START in step 3.
- When you want to reduce the hiss noise in low-level high-frequency signals, press DOLBY NR so that "DOLBY NR" appears after pressing REC PAUSE/START in step 3.
- When recording from a CD, you can use the jog dial to select tracks during rec pause mode (after pressing REC PAUSE/START in step 3 and before pressing again in step 5).

Recording a CD by specifying track order

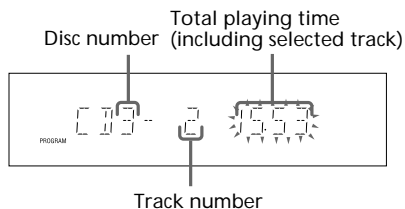
— Program Edit

You can record tracks from all the CDs in the order you want. When programming, make sure the playing times for each side do not exceed the length of one side of the tape.



- 1 Place a CD and insert a blank tape into deck B.
- 2 Press FUNCTION repeatedly until "CD" appears in the display.
- 3 Press PLAY MODE repeatedly until "PROGRAM" appears in the display.
- 4 Press one of the DISC 1~3 buttons to select a CD.

- 5 Turn the jog dial until the desired track appears in the display.



- 6 Press ENTER/NEXT.
The track is programmed. The program step number appears, followed by the total playing time.
- 7 To program additional tracks to be recorded on side A, repeat steps 4 to 6.
Skip step 4 to select tracks from the same disc.

- 8 Press **II** on the remote to insert a pause at the end of side A.
"P" appears in the display and the total playing time resets to "0.00" in the display.

-
- 9** Repeat steps 5 and 6 for tracks from the same disc or steps 4 to 6 for tracks from another disc to program the remaining tracks to be recorded on side B.
-

- 10** Press CD SYNC.
Deck B stands by for recording and the CD player stands by for playback. The indicator on TAPE B ► (for front side) lights up.
-

- 11** Press DIRECTION repeatedly to select ⇄ to record on one side. Select ⇄ (or RELAY) to record on both sides.
-

- 12** Press REC PAUSE/START.
Recording starts.
-

To stop recording

Press ■.

To check the order

Press CHECK on the remote repeatedly. After the last track, "CHECK END" appears.

To cancel Program Edit

Press PLAY MODE repeatedly until "PROGRAM" or "SHUFFLE" disappears from the display.

Tip

When you want to reduce the hiss noise in low-level high-frequency signals, press DOLBY NR so that "DOLBY NR" appears after pressing CD SYNC.

Selecting tape length automatically

—Tape Select Edit

You can check the most suitable tape length for recording a CD. Note that you cannot use Tape Select Edit for discs containing over 20 tracks.

- 1** Insert a CD.
 - 2** Press FUNCTION repeatedly until "CD" appears in the display.
 - 3** Press EDIT once, so that "EDIT" flashes.
The required tape length for the currently selected CD appears, followed by the total playing time for side A and side B respectively.
-

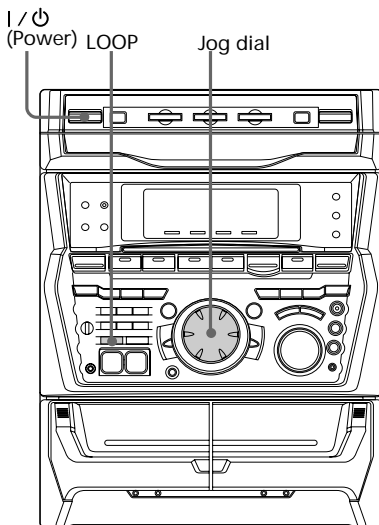
Note

You cannot use this function after programming. In order to use this function, you must first cancel the program by pressing PLAY MODE repeatedly until "PROGRAM" or "SHUFFLE" disappears from the display.

Looping part of a CD

— Loop

With the loop function, you can repeat part of a CD during playback. This lets you create original recordings.



➔ Press and hold LOOP during playback at the point you want to start the Loop function, and release to resume normal play.

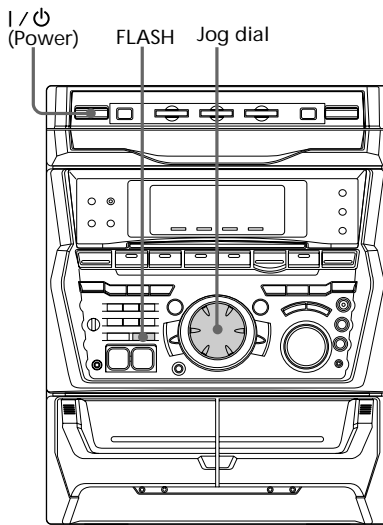
To adjust the loop length

Turn the jog dial while holding LOOP (or press SELECT ↑ or ↓ while holding LOOP on the remote) to select different loop lengths (LOOP 1~20).

Flashing part of a CD

— Flash

With the flash function, you can “flash” the CD sound during playback. This lets you create original recordings.



➔ Press and hold FLASH during playback at the point you want to start the Flash function, and release to resume normal play.

To adjust the flash length

Turn the jog dial while holding FLASH (or press SELECT ↑ or ↓ while holding FLASH on the remote) to select different flash lengths (FLASH 1~20).

To use LOOP and FLASH together

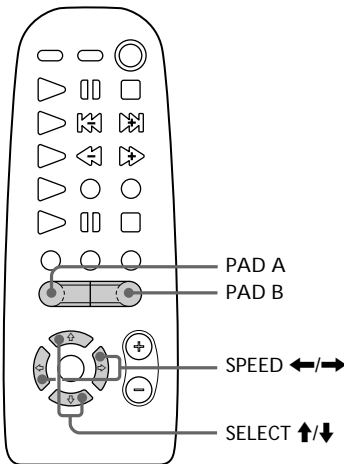
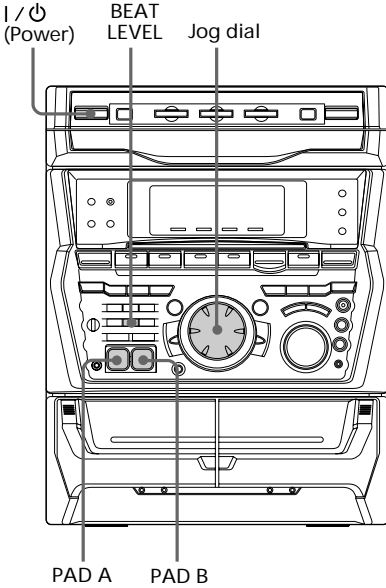
Press and hold both LOOP and FLASH at the same time.

Notes

- The loop and flash length cannot be adjusted during this operation. Adjust the loop and flash lengths independently beforehand if necessary.
- To record the flash effect, use the analog (MD OUT) connections or this unit's tape deck.

Using the drum pads

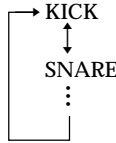
With the drum pads, you can add percussion during playback. This effect can be used with any source, to create original recordings.



➔ Tap drum PAD A or B to produce the respective sound.

To change the drum sound

Turn the jog dial while holding PAD A or B (or press SELECT ↑ or ↓ while holding PAD A or B on the remote) to select the sound you desire. You can select from a variety of different drum sounds. The name of the drum sound appears in the display.



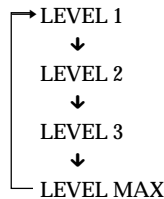
The sound you select will be stored in pad A or B.

To create a drum roll

Hold down both PAD A and B on the front panel. "CHAIN" appears in the display and you hear the sound of both pads. Turn the jog dial counterclockwise for PAD A or clockwise for PAD B.

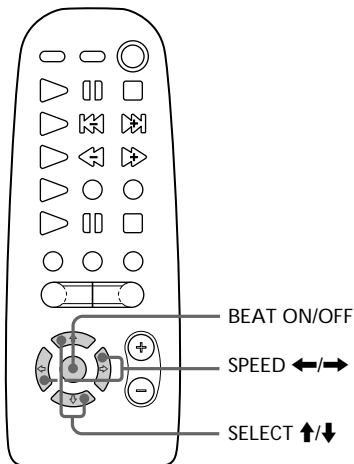
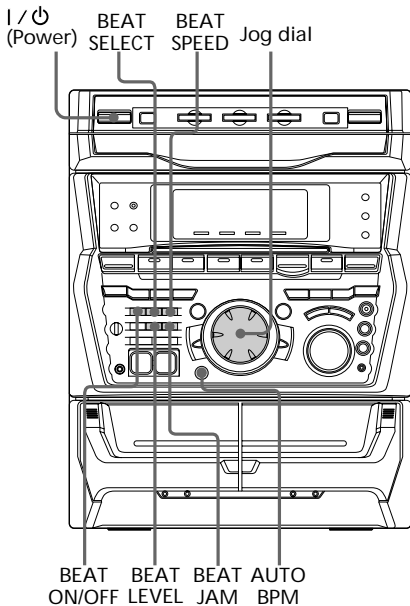
To adjust the volume of the pads

Press BEAT LEVEL repeatedly to select the level you desire. Each time you press the button, the level changes as follows:



Using the beat functions

With the beat functions, you can enjoy a variety of rhythms. They can be used with any source, to create original recordings.



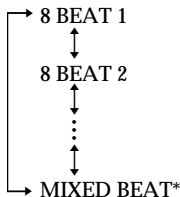
- ➔ Press BEAT ON/OFF during playback at the point you want to start the beat. The button's indicator lights up.

To change the speed

Turn the jog dial while holding BEAT SPEED (or press SPEED ← or → on the remote) to select the speed you desire (BPM 40~200).

To change the beat pattern

Turn the jog dial while holding BEAT SELECT (or press SELECT ↑ or ↓ on the remote) to select the pattern you desire. The name of the beat pattern appears in the display.



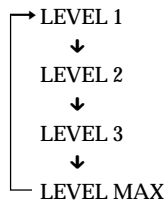
* When you purchased this unit, a simple beat had been stored at this setting. Your original beat is stored in this when you create the original beat using the BEAT MIX function (see "Using the BEAT MIX function" on page 30).

To cancel the beat

Press BEAT ON/OFF. Make sure the button's indicator turns off.

To change the beat volume

Press BEAT LEVEL repeatedly to select the level you desire. Each time you press the button the level changes as follows:



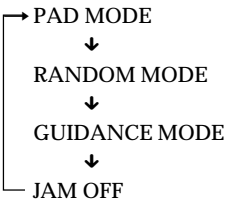
Tips

- You can use the drum pads and the beat function together.
- Press BEAT JAM while holding BEAT SPEED to hear all drum sounds and beat patterns played repeatedly when the power is on. Press any key (except BEAT LEVEL) to stop.

Using the BEAT JAM function

This function automatically synchronizes the sounds of PAD A and B with the sound source.

- 1 Start playing a source.
- 2 Press BEAT JAM repeatedly to select the jam mode you desire. The button's indicator lights up. Every time you press the button, the display changes as follows:



PAD MODE

This mode emphasizes the rhythm of the source by playing the sound stored at PAD A in sync with the bass and playing the sound stored at PAD B in sync with the treble.

RANDOM MODE

This mode emphasizes the rhythm of the source by playing random sounds (from the drum pad library) in sync with source.

GUIDANCE MODE

In this mode, you can join the music. Tap PAD A when the indicator around PAD A lights up (in sync with bass) and tap PAD B when the indicator around PAD B lights up (in sync with treble). You get a point if you tap correctly, or you lose your point if you tap incorrectly. The number of beats and the points are shown in the display. This mode can be canceled when BEAT JAM is pressed or after several seconds of silence, or the play of the current track is finished.

Note

BEAT JAM cannot be used at the same time as the BEAT (BEAT ON) function. When BEAT JAM is turned ON, BEAT turns OFF automatically. Likewise, when the BEAT is turned ON, BEAT JAM turns OFF automatically.

Using the AUTO BPM function

This function automatically synchronizes the rhythm of the current beat pattern with the sound source.

- 1 Start playing a source.
- 2 Select a beat pattern. (See "To change the beat pattern" on page 28.)
- 3 Press BEAT ON/OFF to stop the beat function.
- 4 Press AUTO BPM. The button's indicator blinks orange while measuring the source's BPM. Once measured, the indicator lights green.
- 5 Listen to the sound source and press BEAT ON/OFF at the downbeat. The rhythm of the beat pattern starts in sync with the source.

Tip

If the rhythm of the beat pattern does not match the source, press ENTER/NEXT in time with the downbeat of the source.

Notes

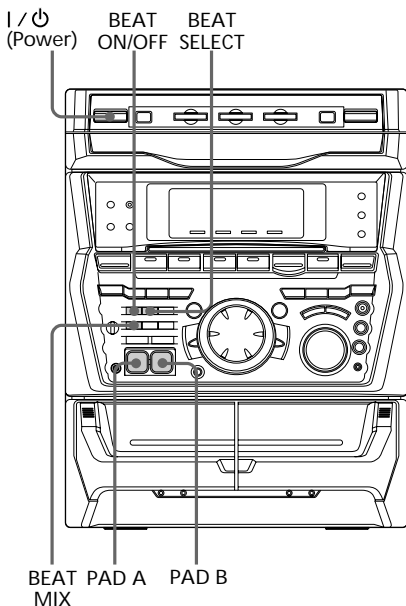
- AUTO BPM may not work with certain songs (such as those with varying tempos). In such cases, the AUTO BPM indicator continues blinking orange.
- The amount of time required to measure a song's BPM (after pressing AUTO BPM) varies for each song.
- When there is no sound for several seconds, "BPM NG" is displayed and the AUTO BPM indicator blinks orange. It will, however, resume automatically when the music begins again.
- AUTO BPM stops automatically when you turn the jog dial while holding BEAT SPEED (or press SPEED ◀ or ▶ on the remote).

continued

Using the beat functions (continued)

Using the BEAT MIX function

With the BEAT MIX function, you can add a rhythm pattern to one of the preset rhythm patterns. This function lets you store your own rhythm pattern.



- 1 Start playing the source.
- 2 Select the beat pattern for the basic pattern.
(See “To change the beat pattern” on page 28.)
- 3 Select the drum sound you want to add.
(See “To change the drum sound” on page 27.)

- 4 Press BEAT MIX.

The selected beat pattern begins, and the BEAT ON/OFF indicator blinks in time with the rhythm.

- 5 Tap drum PAD A or B at the point you want to add the rhythm.
The rhythms you add are repeated every 2 bars.

- 6 Press BEAT MIX or BEAT ON/OFF.
The beat pattern is stored as the MIXED BEAT.

To erase the added rhythms

Select “MUTE” for the drum sound and tap the pad at the point you want to erase the sound.

To reset the MIXED BEAT

Press BEAT ON/OFF while holding BEAT MIX. The MIXED BEAT you made is reset to the factory setting. Repeat this procedure from step 1 to make a new MIXED BEAT.

Tips

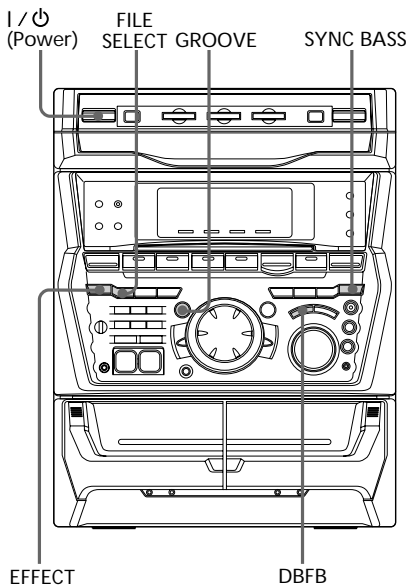
- You can change the drum sound during the operation. However, you cannot change the basic beat pattern.
- When you make another beat pattern, you can use the MIXED BEAT as the basic beat pattern.

Notes

- When adding drum sounds to the selected pattern, you can add as many different drum sounds as you like within the pattern. However, you can only program up to two sounds at the same point in the pattern. When two drum sounds are already programmed at the same point in the pattern and a third drum sound is added, the oldest sound programmed at that location is replaced by the new drum sound.
- The beat stored as the MIXED BEAT is erased and returns to the factory setting when you disconnect the power cord or if a power failure occurs.

Adjusting the sound

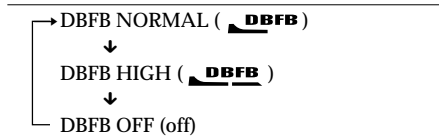
You can reinforce the bass, create a more powerful sound, and listen with headphones.



To reinforce bass (DBFB)

Press DBFB*.

Every time you press the button, the display changes as follows:



* DBFB = Dynamic Bass Feedback

For the most suitable bass sound (SYNC BASS)



Press SYNC BASS.

The bass frequencies of the music you are listening to are measured and those areas with heavy bass tones are effectively reinforced. The indicator SYNC BASS H or SYNC BASS L lights up according to the areas with heavy bass tones. Press SYNC BASS again to return to the previous level.

For a powerful sound (GROOVE)

Press GROOVE. The volume switches to power mode, DBFB is automatically set to full strength, the equalizer curve changes, and GROOVE button lights up. Press GROOVE again to return to the previous volume.

Notes

- With some songs, the music will sound distorted when you use the DBFB system with the sound effect if the bass is too strong. Set the DBFB to “  ” or “OFF”, or cancel the sound effect (see page 32).
- Cancelling GROOVE sets DBFB to “  ” and flattens the equalizer curve. To cancel the DBFB level, press DBFB until the indication disappears.

To listen through the headphones

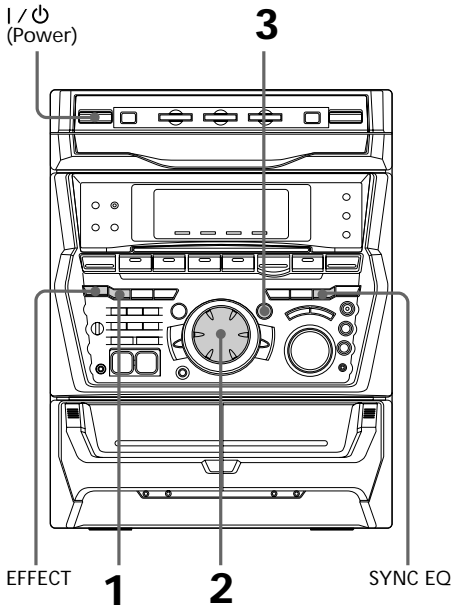
Connect the headphones to PHONES jack. No sound will come from the speakers.

Selecting the audio emphasis

The audio emphasis menu lets you select the sound characteristic according to the sound you are listening to.

Besides, you can also enjoy audio emphasis using the synchronized equalizer function. When using this function, the system switches the equalizer according to the genre automatically.

Selecting the effect from the music menu



- 1** Press FILE SELECT.
The last effect chosen appears in the display.
- 2** Use the jog dial to select the preset you desire.
The preset name appears in the display. See the chart "Music menu options".
- 3** Press ENTER/NEXT.

To cancel the effect

Press EFFECT repeatedly so that "EFFECT OFF" appears in the display.

Music menu options

"**SURROUND**" appears if you select an effect with surround effects.

Effect	For
ROCK	Standard music sources
POP	
JAZZ	
DANCE	
SOUL	
ACTION	Soundtracks and special listening situations
ROMANCE	
SF	
DRAMA	
SPORTS	Video games
SHOOTING	
RACING	
RPG	
BATTLE	
ADVENTURE	Personal file*
P FILE 1~5	

* The personal file function lets you store your own effects (see "Making a personal audio emphasis file" on page 35).

Using the synchronized equalizer

You can set the audio emphasis to change automatically according to the beat and tempo of the music.

➔ Press SYNC EQ.

The indicator blinks while measuring the beat and tempo of the source. Once measured, the indicator lights up in the display.

SYNC EQ classifies the music as follows

Beat Density	LO (Low) HI (High)
Beat Strength	SMOOTH MEDIUM STRONG

To cancel the synchronized equalizer

Press SYNC EQ again. The indicator turns off. The synchronized equalizer is canceled also when:

- cancel the effect
- select the effect from the music menu
- select the surround effect
- adjust the graphic equalizer
- sing along (karaoke).

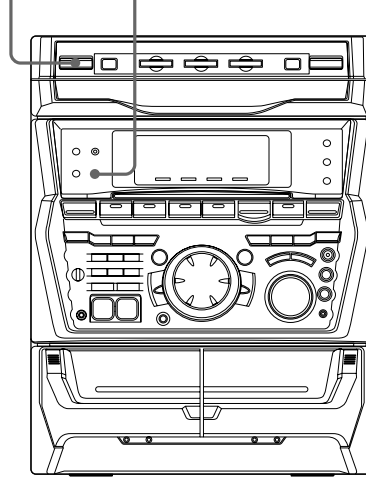
Notes

- SYNC EQ does not work in KARAOKE mode.
- P FILE MEMORY does not work in SYNC EQ mode.
- The names of classification are not related with the genre of the music source.

Changing the spectrum analyzer display

You can enjoy changing the display while listening to the music.

I / ⏻
(Power) SPECTRUM
ANALYZER



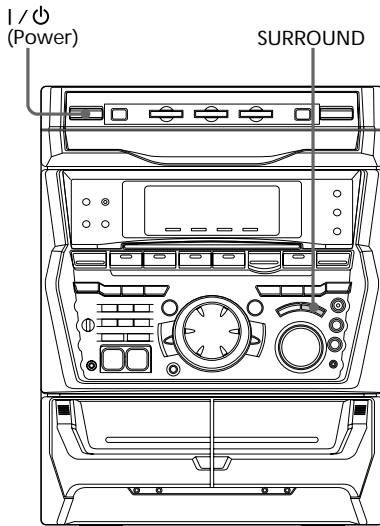
➔ Press SPECTRUM ANALYZER.

Every time you press the button, the display changes as follows:

IMAGE PATTERN
↕
NORMAL PATTERN

Selecting surround effects

You can enjoy surround effects.



➔ Press SURROUND repeatedly to select the surround effect you desire.

Every time you press the button, the display changes as follows:

SURROUND ON (**SURROUND**)

↑
SURROUND OFF (off)

Tip

If you want to memorize the effect, store it into a personal file (see “Making a personal audio emphasis file”).

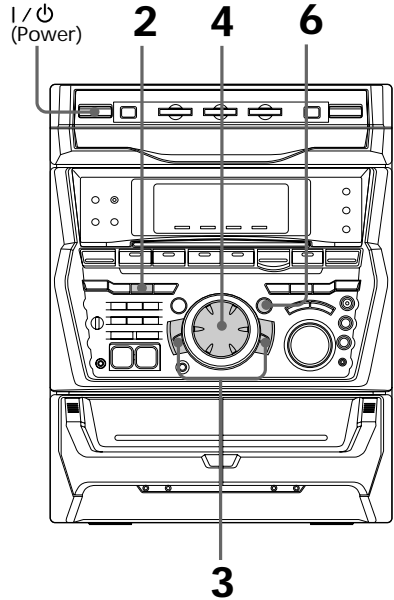
Note

When you choose other sound effects, the surround effects will be canceled.

Adjusting the graphic equalizer

You can adjust the sound by raising or lowering the levels of specific frequency ranges.

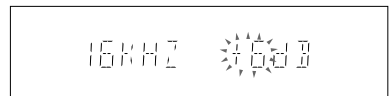
Before operation, first select the audio emphasis you want for your basic sound.



1 Select the audio emphasis you want for your basic sound (see “Selecting the audio emphasis” on page 32).

2 Press GEQ CONTROL.

3 Press + or - repeatedly to select a frequency band.



-
- 4** Turn the jog dial to adjust level.



-
- 5** Repeat steps 3 and 4.

-
- 6** Press ENTER/NEXT when finished.
-

Note

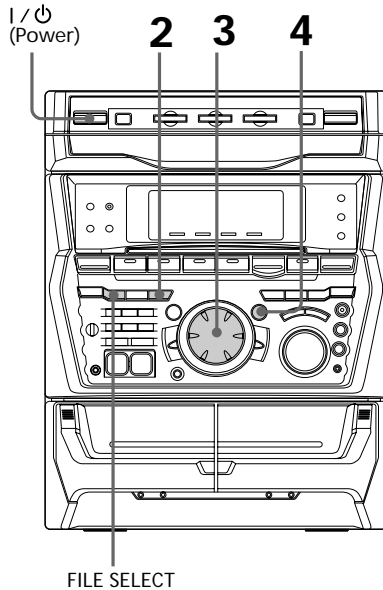
If you choose another menu audio emphasis (other than "EFFECT OFF"), the adjusted sound effect is lost. To retain the adjusted sound effect for future use, store it in a personal file. (See "Making a personal audio emphasis file".)

Making a personal audio emphasis file

— Personal file

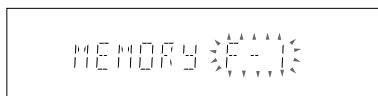
You can create a personal file of audio patterns (surround effect and graphic equalizer) and store them in the memory of the unit. Later, call up an audio pattern to play a favorite tape, CD, or radio program. Create up to five audio files.

Before operation, first select the audio emphasis you want for your basic sound.



-
- 1** Obtain the sound effect you want by using the graphic equalizer and surround effect.

-
- 2** Press P FILE MEMORY.
The personal file number appears in the display.



continued

Making a personal audio emphasis file (continued)

3 Use the jog dial to select the file number (P FILE 1~5) where you want to store the sound effect.

4 Press ENTER/NEXT.
The adjusted sound effects are stored under the selected file number. The settings previously stored at this memory location are erased and replaced by the new settings.

To call up the personal file

- 1** Press FILE SELECT.
- 2** Use the jog dial to select the personal file you desire.
- 3** Press ENTER/NEXT.

Using the Radio Data System (RDS)

(For European model only)

What is the Radio Data System?

Radio Data System (RDS) is a broadcasting service that allows radio stations to send additional information along with the regular program signal. This tuner offers convenient RDS features like station name display and location of stations by program type. RDS is available only on FM stations.*

Note

RDS may not work properly if the station you are tuned to is not transmitting the RDS signal properly or if the signal strength is weak.

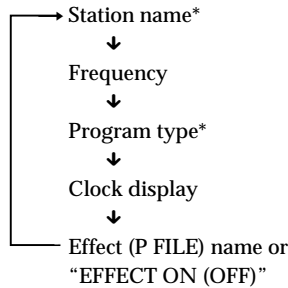
* Not all FM stations provide RDS service, nor do they provide the same type of services. If you are not familiar with the RDS system, check with your local radio stations for details on RDS services in your area.

Receiving RDS broadcasts

➔ Simply select a station from the FM band. When you tune in a station that provides RDS services, the station name appears in the display.

To check the RDS information

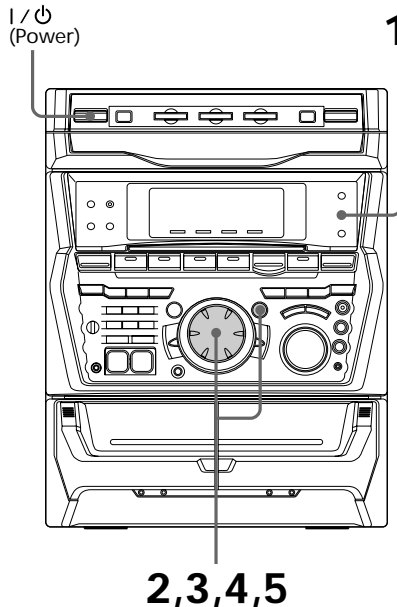
Each time you press DISPLAY, the display changes as follows:



* If the RDS broadcast is not received, the station name and program type may not appear in the display.

Locating a station by program type (PTY)

You can locate a station you want by selecting a program type. The unit tunes in the type of programs currently being broadcast from the RDS stations stored in the tuner's preset memory.



continued

Using the Radio Data System (RDS) (continued)

- 1** Press PTY while listening to the radio.

 - 2** Turn jog dial to select the program type you want. See the “List of program types” section below.

 - 3** Press ENTER/NEXT.
The unit starts searching the preset RDS stations (“SEARCH” and the selected program type are shown alternately in the display).
When the tuner receives a program, the preset station number flashes.

 - 4** Turn jog dial to display the preset station number you desire.

 - 5** Press ENTER/NEXT while the preset station number is flashing.
-

To cancel PTY search

Press PTY again.

List of program types (PTY)

NEWS

News programs.

AFFAIRS

Topical programs that expand on current news.

INFORMATION

Programs about consumer affairs, medical advice.

SPORT

Sports programs.

EDUCATION

Educational programs, such as “how-to” programs and advice.

DRAMA

Radio plays and serials.

CULTURE

Programs about national or regional culture, language, and social concerns.

SCIENCE

Programs about the natural sciences.

VARIED

Programs containing celebrity interviews, panel games, and comedy.

POP

Popular music programs.

ROCK

Rock music programs.

EASY MUSIC

Easy listening (middle of the road music).

L. CLASSICAL

Classical music, such as instrumental, vocal, and choral works.

S. CLASSICAL

Performances of major orchestras, chamber music, opera, etc.

OTHER MUSIC

Music, such as rhythm and blues and reggae.

WEATHER

Weather information.

FINANCE

Stock market reports and trading, etc.

CHILDREN

Programs for young.

SOCIAL

Programs about people and the things that affect them.

RELIGION

Programs of religious contents.

PHONE IN

Programs where members of the public express their views by phone or in a public forum.

TRAVEL

Programs about travel. Not for announcements that are located TP/TA.

LEISURE

Programs on recreational activities such as gardening, fishing, cooking, etc.

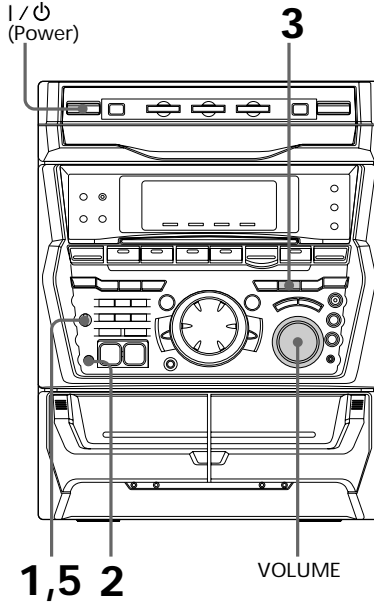
JAZZ	Jazz programs.
COUNTRY	Country music programs.
NATION	Programs featuring the popular music of the country or region.
OLDIES	Programs featuring oldies music.
FOLK	Folk Music Programs.
DOCUMENTARY	Investigative features.
ALARM TEST	Test signal for emergency broadcasts.
ALARM-ALARM	Emergency broadcasts.
NONE	Any programs not defined above.

Notes

"NO PTY" appears when the program type you selected is not currently being broadcast.

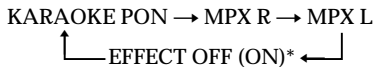
Singing along: Karaoke

You can sing along with any stereo CD or tape by turning down the singer's voice. You need to connect an optional microphone.



- 1** Turn MIC LEVEL to 0 to turn down the microphone control level.
- 2** Connect an optional microphone to MIX MIC.
- 3** Press KARAOKE PON/MPX repeatedly to obtain the karaoke effect you desire.

Every time you press the button, the display changes as follows:



* When an audio emphasis is selected, the effect name appears.

The indicator appears in the display when a karaoke mode is activated.

To sing karaoke with decreasing the vocal level of a CD, select "KARAOKE PON". To sing karaoke of multiplex CD or tape, select "MPX R" or "MPX L".

Singing along: Karaoke (continued)

- 4 Start playing the music and adjust the volume.
- 5 Adjust the microphone volume by turning MIC LEVEL.

When you are done

Turn MIC LEVEL to 0 and disconnect the microphone from MIX MIC, then press KARAOKE PON/MPX repeatedly so that "🎤" disappears.

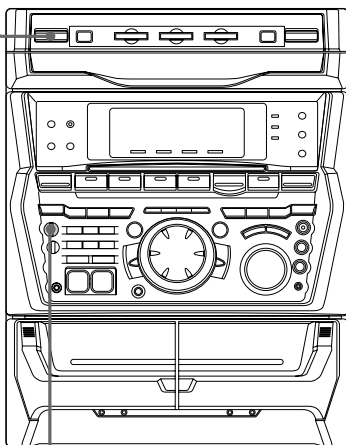
Note

With some songs, vocals may not be cancelled when you select "KARAOKE PON".

Adjusting the microphone echo

(For Middle Eastern models only)

| / ⏻
(Power)



ECHO LEVEL

- ➔ Turn ECHO LEVEL to adjust the echo effect.

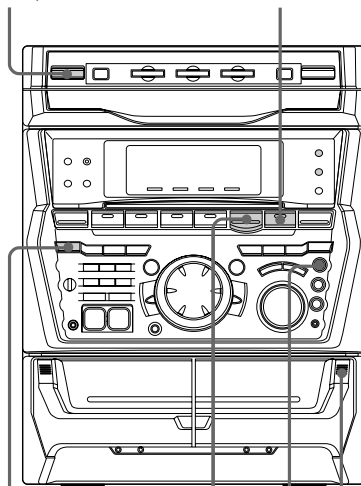
To cancel the echoing

Turn ECHO LEVEL to 0.

Mixing and recording sounds

| / ⏻
(Power)

4



EFFECT

2,3 1

- 1 Do the procedures for singing along (steps 1 to 5 on page 39, 40). Then, insert a tape in deck B.
- 2 Press REC PAUSE/START.
- 3 Press REC PAUSE/START again. Recording starts.
- 4 Press CD ►|| to start playing the CD player (or TAPE A ► for tape deck A). Playback starts. Start singing along with the music.

To stop recording

Press ■.

Tips

- If acoustic feedback (howling) occurs, move the microphone away from the speakers or change the direction of the microphone.
- If you want to record your voice through the microphone only, you can do so by selecting the CD function and not playing a CD.
- When high level sound signals are input, the unit automatically adjusts the recording level to prevent distortion of the recorded sound signal (Auto Level Control function).

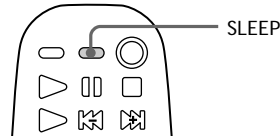
Notes

- If you press EFFECT or recall a sound effect, the karaoke mode is cancelled.
- The instrumental sound may be reduced as well as the singer's voice when the sound is recorded in monaural.
- The singer's voice may not be reduced when:
 - only a few instruments are playing.
 - a duet is being played.
 - the source has strong echoes or chorus.
 - the singer's voice deviates from the center.
 - the voice on the source is singing in high soprano or tenor.

Falling asleep to music

— Sleep Timer

You can let the system turn off at the preset time, so you can sleep to the music. You can preset the time to be turned off by 10 minutes.



➔ Press SLEEP.

Every time you press the button, the minute display (the turn-off time) changes as follows:

AUTO → 90min → 80min → 70min
→ ... → 10min → OFF → AUTO ...

When you choose "AUTO"

The power turns off when the current CD or tape finishes playback (for up to 100 minutes).

To check the remaining time

Press SLEEP once.

To change the time to turn off

Select the time you want by pressing SLEEP.

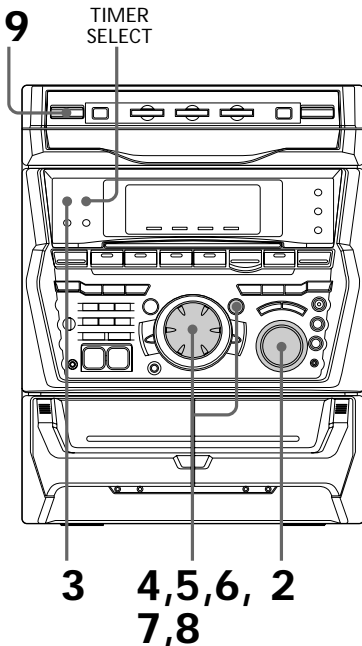
To cancel the Sleep Timer function

Press SLEEP repeatedly until "SLEEP OFF" appears.

Waking up to music

— Wake-up Timer

You can wake up to music at a preset time every day. Make sure you have set the clock (see “Step 2: Setting the time”).



1 Prepare the music source you want to play.

- CD: Insert a CD. To start from a specific track, make a program (see “Programming the CD tracks” on page 21).
- Tape: Insert an tape with the side you want to play facing forward.
- Radio: Tune in the preset station you want (see “Step 3: Presetting radio stations” on page 7).

2 Adjust the volume.

3 Press CLOCK/TIMER SET.
“SET (DAILY 1)” appears.

4 Turn jog dial to select “DAILY 1 (or 2)”, then press ENTER/NEXT.
“ON” appears and the hour digits flash in the display.



5 Set the time to start playback.
Turn jog dial to set the hour, then press ENTER/NEXT.
The minute indication starts flashing.

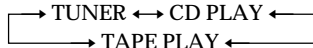


Turn jog dial to set the minute, then press ENTER/NEXT.
The hour indication flashes again.

6 Set the time to stop playback following the above procedure.

7 Turn jog dial until the music source you want appears.

The indications change as follows:



8 Press ENTER/NEXT.
The type of timer (DAILY 1 or DAILY 2), followed by the start time, stop time and the music source, appears, then the original display appears.

9 Turn off the power.

To check the setting

Press **TIMER SELECT** and turn the jog dial to select the respective mode (**DAILY 1** or **DAILY 2**), then press **ENTER/NEXT**.

To change the setting, start over from step 1.

To cancel the timer operation

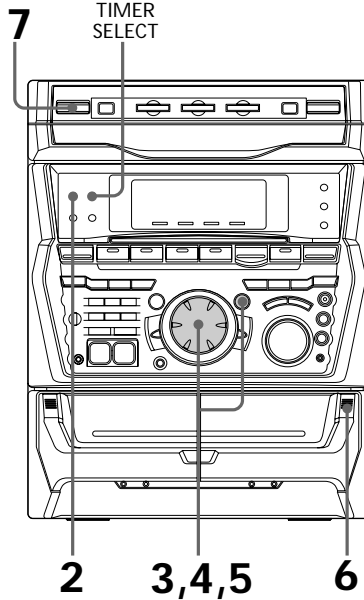
Press **TIMER SELECT** and turn the jog dial to select **"TIMER OFF"**, then press **ENTER/NEXT**.

Tip

The power turns on 15 seconds before the preset time.

Timer-recording radio programs

To timer-record, you must preset the radio station (see "Step 3: Presetting radio stations") and set the clock (see "Step 2: Setting the time") beforehand.



- 1** Tune in the preset radio station (see "Listening to the radio" on page 13).
- 2** Press **CLOCK/TIMER SET**.
"SET (DAILY 1)" appears.
- 3** Turn jog dial to select **"REC"**, then press **ENTER/NEXT**.
"ON" appears and the hour digits flash in the display.



continued

**Timer-recording radio programs
(continued)**

- 4** Set the time to start recording.
Turn the jog dial to set the hour, then press ENTER/NEXT.
The minute indication starts flashing.



Turn the jog dial to set the minute, then press ENTER/NEXT.
The hour indication flashes again.

- 5** Set the time to stop recording following the above procedure.
The start time appears, followed by the stop time, the preset radio station to be recorded (e.g., "TUNER FM 5"), then the original display appears.

- 6** Insert a recordable tape.

- 7** Turn off the power.
When the recording starts, the volume level is set to the minimum.

To check the setting

Press TIMER SELECT and turn the jog dial to select "REC", then press ENTER/NEXT.

To change the setting, start over from step 1.

To cancel the timer operation

Press TIMER SELECT and turn the jog dial to select "TIMER OFF", then press ENTER/NEXT.

Note

If the power is on at the preset time, the recording will not be made.

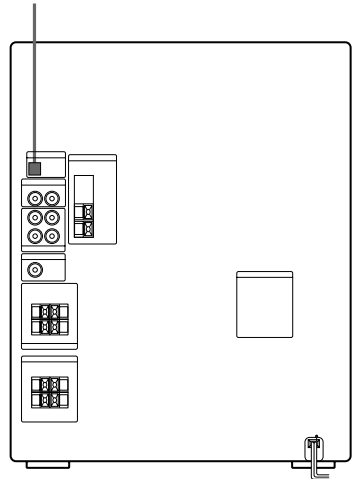
Connecting audio components

Select one of the following two connections, depending on the equipment to be connected and method of connecting. Refer to the instructions of each component.

Connecting an MD deck for digital recording

You can record from CD into the MD deck digitally by connecting an optical cable.

To the DIGITAL IN jack of the MD deck

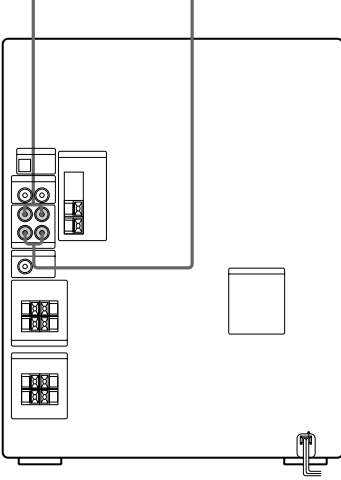


Connecting an MD deck for analog recording

Make sure to match the color of the plugs and the connectors. To listen to the sound of the connected MD deck, press FUNCTION repeatedly until "MD" appears.

To the audio output of the MD deck

To the audio input of the MD deck

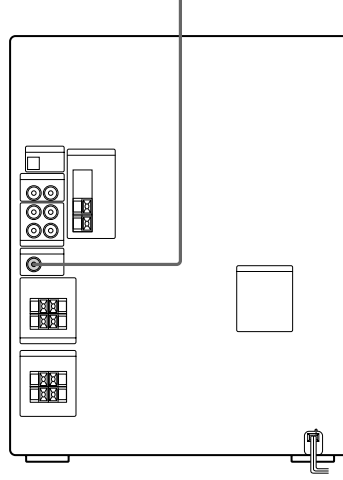


Connecting a super woofer speaker

(except for European models)

You can connect an optional super woofer speaker.

To super woofer



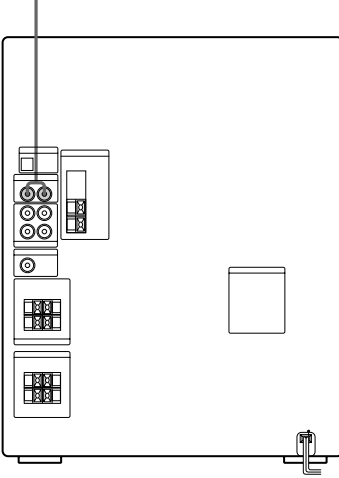
Tip

When you connect a Sony MD deck, you can use the MD ►, ||, and ■ buttons on this unit's remote to perform play, pause, and stop operations.

Connecting a VCR

Make sure to match the color of the plugs and the connectors. To listen to the sound of the connected VCR, press FUNCTION repeatedly until "VIDEO" appears. Refer to the instructions of each component.

To the audio output of the VCR



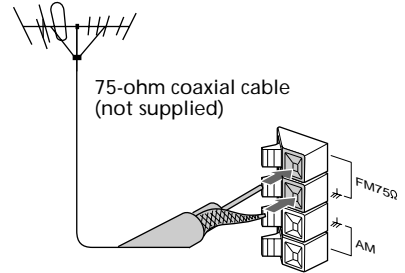
Connecting outdoor antennas

Connect the outdoor antenna to improve the reception. Refer to the instructions of each component.

FM antenna

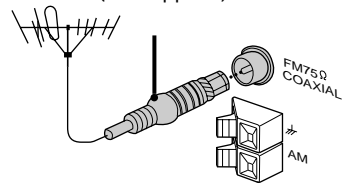
Connect the optional FM outdoor antenna. You can also use the TV antenna instead.

Jack type A



Jack type B

IEC standard socket connector (not supplied)

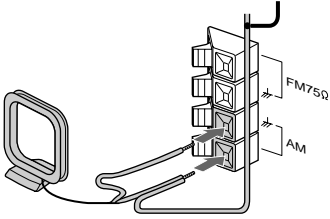


AM antenna

Connect a 6- to 15- meter (20- to 50- feet) insulated wire to the AM antenna terminal. Leave the supplied AM loop antenna connected.

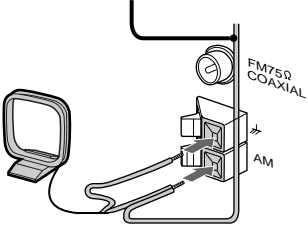
Jack type ①

Insulated wire (not supplied)



Jack type ②

Insulated wire (not supplied)



Precautions

On operating voltage

Before operating the system, check that the operating voltage of your system is identical with the voltage of your local power supply.

On safety

- The unit is not disconnected from the AC power source (mains) as long as it is connected to the wall outlet, even if the unit itself has been turned off.
- Unplug the system from the wall outlet (mains) if it is not to be used for an extended period of time. To disconnect the cord (mains lead), pull it out by the plug. Never pull the cord itself.
- Should any solid object or liquid fall into the component, unplug the stereo system and have the component checked by qualified personnel before operating it any further.
- The AC power cord must be changed only at the qualified service shop.

On placement

- Place the stereo system in a location with adequate ventilation to prevent heat build-up in the stereo system.
- Do not place the unit in an inclined position.
- Do not place the unit in locations where it is;
 - Extremely hot or cold
 - Dusty or dirty
 - Very humid
 - Vibrating
 - Subject to direct sunlight.

On operation

- If the stereo system is brought directly from a cold to a warm location, or is placed in a very damp room, moisture may condense on the lens inside the CD player. Should this occur, the system will not operate properly. Remove the CD and leave the system turned on for about an hour until the moisture evaporates.
- When you move the system, take out any discs.

If you have any questions or problems concerning your stereo system, please consult your nearest Sony dealer.

Notes on CDs

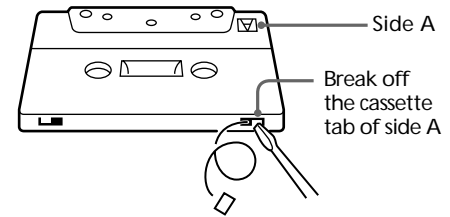
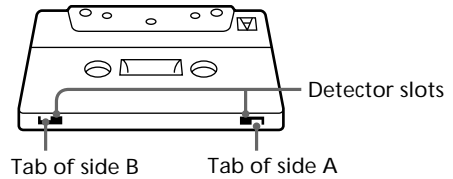
- Before playing, clean the CD with a cleaning cloth. Wipe the CD from the center out.
- Do not use solvents such as benzene, thinner, commercially available cleaners or anti-static spray intended for vinyl LPs.
- Do not expose the CD to direct sunlight or heat sources such as hot air ducts, nor leave it in a car parked in direct sunlight.

Cleaning the cabinet

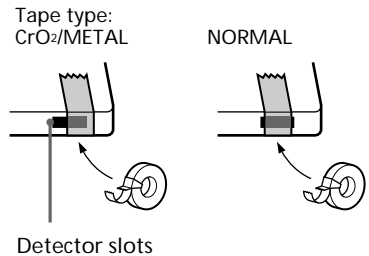
Use a soft cloth slightly moistened with mild detergent solution.

To save a tape permanently

To prevent a tape from being accidentally recorded over, break off the cassette tab from side A or B as illustrated.



If you later want to reuse the tape for recording, cover the broken tab with adhesive tape. However, be careful not to cover the detector slots which allow the tape player to automatically detect the type of tape.



Before placing a cassette in the tape deck

Take up any slack in the tape. Otherwise the tape may get entangled in the parts of the tape deck and become damaged.

When using a tape longer than 90 minutes

The tape is very elastic. Do not change the tape operations such as play, stop, and fast-winding etc. frequently. The tape may get entangled in the tape deck.

Cleaning the tape heads

Clean the tape heads after every 10 hours of use.

When the tape heads become dirty;

- the sound is distorted
- there is a decrease in sound level
- the sound drops out
- the tape does not erase completely
- the tape does not record.

Make sure to clean the tape heads before you start an important recording or after playing an old tape. Use separately sold dry-type or wet-type cleaning cassette. For details, refer to the instructions of the cleaning cassette.

Demagnetizing the tape heads

Demagnetize the tape heads and the metal parts that have contact with the tape every 20 to 30 hours of use with a separately sold demagnetizing cassette. For details, refer to the instructions of the demagnetizing cassette.

Troubleshooting

If you run into any problem using this stereo system, use the following check list.

First, check that the power cord is connected firmly and the speakers are connected correctly and firmly.

Should any problem persist, consult your nearest Sony dealer.

General

The display starts flashing as soon as you plug in the power cord even though you haven't turned on the power (demonstration mode).

- Press DISPLAY (for MHC-RXD8/RXD8S) or DEMO (STANDBY) (for MHC-GRX80J/GRX80/R880) when the power is turned off. The demonstration disappears.

The demonstration mode appears automatically the first time you plug in the power cord or if there is a power outage lasting longer than half a day.

The clock setting/radio presetting/timer is canceled.

- The power cord is disconnected or a power failure occurs longer than half a day.

Redo the followings:

- “Step 2: Setting the time”
- “Step 3: Presetting radio stations”

If you have set the timer, also redo “Waking up to music” and “Timer-recording radio programs”.

There is no sound.

- Rotate VOLUME clockwise.
- The headphones are connected.
- Insert only the stripped portion of the speaker cord into the SPEAKER jack. Inserting the vinyl portion of the speaker cord will obstruct the speaker connections.
- There is no audio output during timer recording.

continued

Troubleshooting (continued)

There is severe hum or noise.

- A TV or VCR is placed too close to the stereo system. Move the stereo system away from the TV or VCR.
-

"0:00" (or "12:00") flashes in the display.

- A power interruption occurred. Set the clock and timer settings again.
-

The timer does not function.

- Set the clock correctly.
-

DAILY 1, DAILY 2, and REC do not appear when you press the TIMER SELECT button.

- Set the timer correctly.
 - Set the clock.
-

The remote does not function.

- There is an obstacle between the remote and the system.
 - The remote is not pointing in the direction of the system's sensor.
 - The batteries have run down. Replace the batteries.
-

There is acoustic feedback.

- Decrease the volume level.
 - Move the microphone away from the speakers or change the direction of the microphone.
-

The color irregularity on a TV screen persists.

- Turn off the TV set once, then turn it on after 15 to 30 minutes. If the color irregularity still persists, place the speakers farther away from the TV set.
-

"PROTECT" and "PUSH POWER" appear alternately.

- A strong signal was input. Press | / ⏻ to turn off the power, leave the system turned off for a while, then press | / ⏻ again to turn on the power.
-

Speakers

Sound comes from one channel or unbalanced left and right volume.

- Check the speaker connection and speaker placement.
-

Sound lacks bass.

- Check that the speaker's + and - jacks are connected correctly.
-

CD Player

The CD tray does not close.

- The CD is not placed properly.
-

The CD will not play.

- The CD is not lying flat in the disc tray.
 - The CD is dirty.
 - The CD is inserted label side down.
 - Moisture condensation has built up. Remove the CD and leave the system turned on for about an hour until the moisture evaporates.
-

Play does not start from the first track.

- The player is in program or shuffle mode. Press PLAY MODE repeatedly until "PROGRAM" or "SHUFFLE" disappear.
-

"OVER" is displayed.

- You have reached the end of the CD. Press and hold ◀◀ to return.
-

Tape Deck

The tape does not record.

- No tape in the cassette holder.
- The tab has been removed from the cassette (see “To save a tape permanently” on page 48).
- The tape has reeled to the end.

The tape does not record nor play or there is a decrease in sound level.

- The heads are dirty. Clean them (see “Cleaning the tape heads” on page 49).
- The record/playback heads are magnetized. Demagnetize them (see “Demagnetizing the tape heads” on page 49).

The tape does not erase completely.

- The record/playback heads are magnetized. Demagnetize them (see “Demagnetizing the tape heads” on page 49).

There is excessive wow or flutter, or the sound drops out.

- The capstans or pinch rollers are dirty. Clean them (see “Cleaning the tape heads” on page 49).

Noise increases or the high frequencies are erased.

- The record/playback heads are magnetized. Demagnetize them (see “Demagnetizing the tape heads” on page 49).

After pressing ► (◀) or ⏸, there is a mechanical noise, “EJECT” appears in the display, and the unit enters standby mode automatically.

- The cassette tape was not inserted correctly. Eject the tape and turn the power back on.
-

Tuner

Severe hum or noise (“TUNED” or “STEREO” flashes in the display).

- Adjust the antenna.
- The signal strength is too weak. Connect the external antenna.

A stereo FM program cannot be received in stereo.

- Press STEREO/MONO so that “STEREO” appears.
-

If other troubles not described above occur, reset the system as follows:

- 1 Unplug the power cord.
- 2 Plug the power cord back in.
- 3 Press ■, ENTER/NEXT, and | / ⏻ at the same time.
- 4 Press | / ⏻ to turn on the power.

The system is reset to the factory settings. All the settings you made, such as the preset stations, clock, and timer are cleared. You should set them again.

Specifications

Amplifier section

MHC-RXD8S/RXD8:

DIN power output (rated) 80 + 80 watts
(8 ohms at 1 kHz, DIN)

Continuous RMS power output (reference) 100 + 100 watts
(8 ohms at 1 kHz, 10% THD)

Music power output (reference) 170 + 170 watts
(8 ohms at 1 kHz, 10% THD)

MHC-GRX80J/GRX80/R880:

The following measured at AC 120, 220, 240 V
50/60 Hz

DIN power output (rated) 160 + 160 watts
(6 ohms at 1 kHz, DIN)

Continuous RMS power output (reference) 200 + 200 watts
(6 ohms at 1 kHz, 10% THD)

Inputs

VIDEO IN: voltage 250 mV,
(phono jacks) impedance 47 kilohms
MD IN: voltage 450 mV,
(phono jacks) impedance 47 kilohms
MIX MIC: (phone jack) sensitivity 1 mV,
impedance 10 kilohms

Outputs

MD OUT: voltage 250 mV
(phono jacks) impedance 1 kilohm
PHONES: accepts headphones of
(stereo mini jack) 8 ohms or more
SPEAKER:
MHC-RXD8S/RXD8: accepts impedance of 8 to
16 ohms

MHC-GRX80J/GRX80/R880:
accepts impedance of 6 to
16 ohms

SURROUND SPEAKER: accepts impedance of
16 ohms

SUPER WOOFER:
(except for MHC-RXD8S/RXD8) Voltage 1 V, impedance
1 kilohm

CD player section

System Compact disc and digital
audio system
Laser Semiconductor laser
($\lambda=780\text{nm}$)
Emission duration:
continuous
Laser output Max. 44.6 μW^*
*This output is the value
measured at a distance of
200 mm from the
objective lens surface on
the Optical Pick-up Block
with 7 mm aperture.
Wavelength 780 - 790 nm
Frequency response 2 Hz - 20 kHz (± 0.5 dB)
Signal-to-noise ratio More than 90 dB
Dynamic range More than 90 dB
CD OPTICAL DIGITAL OUT
(Square optical connector jack, rear panel)
Wavelength 660 nm
Output Level -18 dBm

Tape player section

Recording system 4-track 2-channel stereo
Frequency response 40 - 13,000 Hz (± 3 dB),
(DOLBY NR OFF) using Sony TYPE I
cassette
40 - 14,000 Hz (± 3 dB),
using Sony TYPE II
cassette
Wow and flutter $\pm 0.15\%$ W.Peak (IEC)
 0.1% W.RMS (NAB)
 $\pm 0.2\%$ W.Peak (DIN)

Tuner section

FM stereo, FM/AM superheterodyne tuner

FM tuner section

Tuning range 87.5 - 108.0 MHz
Antenna FM lead antenna
Antenna terminals 75 ohm unbalanced
Intermediate frequency 10.7 MHz

UKV tuner section

(3 band (FM-AM-UKV) models only)

Tuning range 65.0 - 74.0 MHz
Stereo plus

AM tuner section

Tuning range

2 Band type:

European models:

AM: 531 – 1,602 kHz
(with the interval set at 9 kHz)

Other models:

AM: 531 – 1,602 kHz
(with the interval set at 9 kHz)
530 – 1,710 kHz
(with the interval set at 10 kHz)

3 Band type:

Middle Eastern models:

MW: 531 – 1,602 kHz
(with the interval set at 9 kHz)

SW: 5.95 – 17.90 MHz
(with the interval set at 5 kHz)

Central and South American models:

MW: 531 – 1,710 kHz
(with the interval set at 9 kHz)
530 – 1,710 kHz
(with the interval set at 10 kHz)

SW: 5.95 – 17.90 MHz
(with the interval set at 5 kHz)

Other models:

MW: 531 – 1,602 kHz
(with the interval set at 9 kHz)
530 – 1,710 kHz
(with the interval set at 10 kHz)

SW: 5.95 – 17.90 MHz
(with the interval set at 5 kHz)

Antenna

Antenna terminals

Intermediate frequency 450 kHz

Speaker

Front Speaker

SS-RXD8 for MHC-RXD8

Speaker system 4-way, 5-unit, bass-reflex type, magnetically shielded type

Speaker units

Woofers: 17 cm, cone type
Center Tweeter: 5 cm, cone type
Side Tweeter: 5 cm, cone type x 2
Super Tweeter: 4 cm, cone type
Nominal impedance: 8 ohms
Dimensions (w/h/d): Approx. 240 x 360 x 325 mm

Mass: Approx. 5.5 kg net per speaker

SS-GRX80J/GRX80/GRX80G for MHC-GRX80J/
GRX80/SS-RXD8S for MHC-RXD8S/SS-R880 for
MHC-R880

Speaker system

4-way, 5-unit,
bass-reflex type,
magnetically shielded
type

Speaker units

Woofers: 20 cm, cone type
Centre Tweeter: 5 cm, cone type
Side Tweeter: 5 cm, cone type x 2
Super Tweeter: 4 cm, cone type
Nominal impedance
SS-GRX80JG/GRX80/
GRX80G/R880 6 ohms
SS-RXD8S 8 ohms
Dimensions (w/h/d) Approx. 240 x 360 x 325 mm
Mass Approx. 6.5 kg net per
speaker

Surround Speaker (SS-SR125) for MHC-GRX80J/ GRX80/R880/RXD8S

Speaker system

1-way, 1-unit,
bass-reflex type

Speaker units

Full-range: 8 cm, cone type
Nominal impedance: 16 ohms
Dimensions (w/h/d) Approx. 220 x 100 x 195
mm
Mass: Approx. 1.0 kg net per
speaker

General

Power requirements

European models:

230 V AC, 50/60 Hz
Australian models: 230 - 240 V AC, 50/60 Hz
Israeli and Thai models: 220 V AC, 50/60 Hz
Mexican models: 120 V AC, 50/60 Hz
Other models: 120 V, 220 V or 230 - 240 V
AC, 50/60 Hz Adjustable
with voltage selector

Power consumption

MHC-GRX80J/GRX80/R880: 190 watts

MHC-RXD8S/RXD8: 220 watts

Dimensions (w/h/d)

Approx. 280 x 360 x 395 mm

Mass

MHC-GRX80J/GRX80/R880: Approx. 12.2 kg

MHC-RXD8S/RXD8: Approx. 10.5 kg

Supplied accessories:

AM loop antenna (1)
Remote Commander (1)
Batteries (2)
FM lead antenna (1)
Speaker cords :
(2 or 4 (for front
speakers with jacks)) for
MHC-GRX80/R880/
RXD8S
(2 for front speakers
with jacks only) for
MHC-RXD8
Front speaker pads (8)

Design and specifications are subject to change
without notice.

Index

A

- Adjusting
 - the audio emphasis 32
 - the sound 34
 - the volume 11, 13, 16
- Antennas 5, 46
- Auto BPM 29
- Automatic Source Selection 11, 14, 16

B

- Batteries 6
- Beat functions 28
- Beat Jam 29
- Beat Mix 30

C

- CD player 10, 18
- CD Synchro Recording 12
- Clock setting 6
- Connecting. *See* Hooking up

D

- DBFB 31
- Drum pads 27
- Display 18, 33

E

- Edit 24, 25

F, G

- Flash 26
- Groove 31
- Guidance Mode 29

H, I, J

- Hooking up
 - optional components 44
 - the antennas 5, 46
 - the power 5
 - the system 4

K

- Karaoke 39

L, M

- Loop 26

N

- Non-Stop Play 22
- Normal Play 10

O

- One Touch Play 11, 14, 16

P, Q

- Pads. *See* Drum pads
- Personal file 35
- Playing
 - a CD 10
 - a preset radio station 13
 - a tape 15
 - tracks in random order (Shuffle Play) 20
 - tracks in the desired order (Program Play) 21
 - tracks repeatedly (Repeat Play) 19
- Presetting radio stations 7
- Preset tuning 13
- Program Play 21
- Protecting recordings 48
- PTY 37

R

- Radio Data System 37
- Radio stations
 - presetting 7
 - tuning in 13
- Recording
 - a CD 12
 - a radio program 14
 - from a tape 17
 - on a tape manually 23
 - timer recording 43
- Repeat Play 19
- Resetting the system 51

S

- Saving recordings 48
- Selecting the audio emphasis 32
- Setting the time 6
- Shuffle Play 20
- Sleep Timer 41
- Sound adjustment 31
- Speakers 4
- Station name 37

T, U, V

- Timer
 - falling asleep to music 41
 - timer recording 43
 - waking up to music 42
- Troubleshooting 49
- Tuner 7, 13, 37, 43
- Tuning interval 8, 53

W, X, Y, Z

- Wake-up timer 42