

Color Video Camera

Operating Instructions

CCX-Z79/Z79E

©1998 by Sony Corporation Printed in Japan

Owner's Record

The model number and the serial number are located on the bottom exterior. Record the serial number in the space provided below. Refer to these numbers whenever you call upon the dealer regarding this product.

Model No. CCX-Z79/Z79E
Serial No. _____

WARNING

To prevent fire or shock hazard, do not expose the unit to rain or moisture.

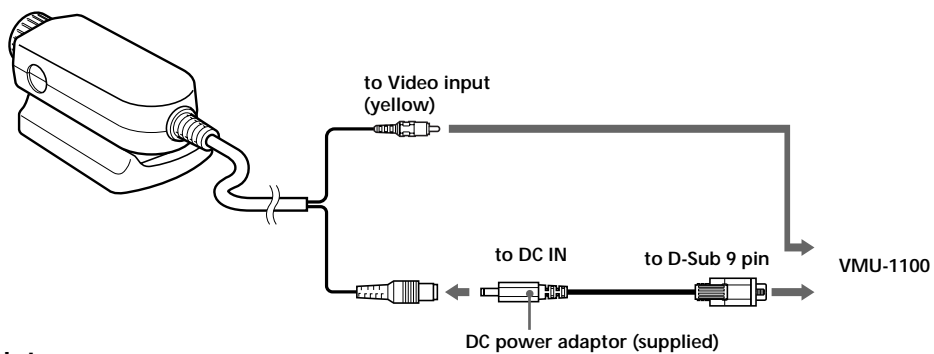
This equipment has been tested and found to comply with the limits for a Class B digital device, pursuant to Part 15 of the FCC Rules. These limits are designed to provide reasonable protection against harmful interference in a residential installation. This equipment generates, uses, and can radiate radio frequency energy and, if not installed and used in accordance with the instructions, may cause harmful interference to radio communications. However, there is no guarantee that interference will not occur in a particular installation. If this equipment does cause harmful interference to radio or television reception, which can be determined by turning the equipment off and on, the user is encouraged to try to correct the interference by one or more of the following measures:

- Reorient or relocate the receiving antenna.
- Increase the separation between the equipment and receiver.
- Connect the equipment into an outlet on a circuit different from that to which the receiver is connected.
- Consult the dealer or an experienced radio/TV technician for help.

You are cautioned that any changes or modifications not expressly approved in this manual could void your authority to operate this equipment.

Connections

Connect your Color Video Camera to your Digital Meeting™ system with the supplied video cable and DC power adaptor. For more information, refer to your VMU-1100 user manual.

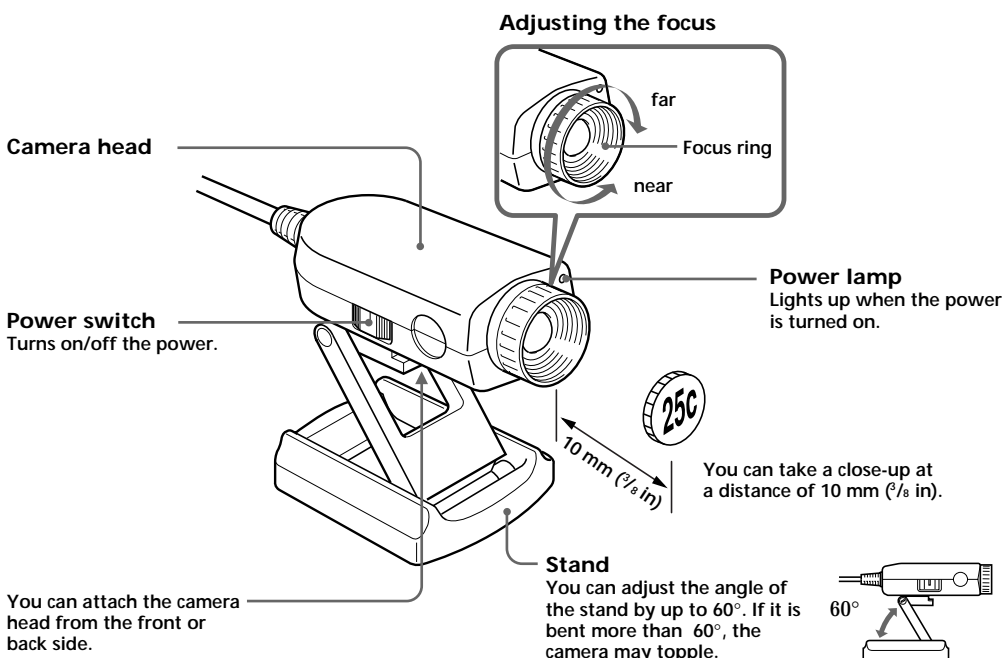


Note
Use only the supplied DC power adaptor. It is designed specifically for the Sony Digital Meeting™ system. Do not plug into any other equipment or damage may result.

Polarity of the plug

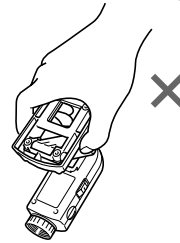


Using this Video Camera



Notes

- Do not hold the stand when carrying.



- Do not apply too much force when change the angle of the stand, or the camera head may come off.
- Do not apply too much force when turning the focus ring, or the camera may be damaged.

Precautions

- If a light source which exceeds the recommended illumination, such as the outdoors, is used, the image may not be displayed clearly.
- Do not focus on a stationary or bright object for too long, or the CCD color filter may be damaged.
- Do not aim the lens toward the sun, or the CCD color filter may be damaged.

Precaution on copyright

Television programs, pictures, magazines, and other materials may be copyrighted. Unauthorized recording or storing of such materials violates the provision of the copyright laws.

Maintenance

- Clean the lens with a blower brush to remove dust. Do not scrub the surface of the lens. If there are fingerprints on it, remove them with a soft cloth.
- Clean the Color Video Camera body with a dry soft cloth, or a soft cloth lightly moistened with a mild detergent solution.
- Do not use any type of solvent which may damage the finish.

Troubleshooting

| Symptom | Remedy |
|---|---|
| The picture does not appear on the TV screen. | <ul style="list-style-type: none"> • Make sure the connections are made correctly. • Connect to other equipment, for example a TV, to check if the camera is damaged. |
| When the power switch is turned to "ON," the picture does not appear or an unusual picture appears. | <ul style="list-style-type: none"> • Set the power switch to "OFF," then set it to "ON" again. |

Specifications

| System | | General |
|--------------------------|---|---|
| Video signal | CCX-Z79: NTSC color, EIA standards CCX-Z79E: PAL color, CCIR standards | Power requirements DC 5 V |
| Image device | 1/4 inch color CCD (CCX-Z79: 270,000 pixels) (CCX-Z79E: 320,000 pixels) | Power consumption 1.3 W |
| Lens | f=4.0 mm, F=1:3.8 | Video output 1 Vp-p, 75 ohms, unbalanced, sync negative |
| Macro | Approx. 10 mm (3/8 in) | Operating temperature 0°C to 40°C (32°F to 104°F) |
| Minimum illumination | 10 lux | Storage temperature -20°C to +60°C (-4°F to 140°F) |
| Recommended illumination | 500 lux | Dimensions (w × h × d) Approx. 48.6 × 34.9 × 85 mm (1 15/16 × 1 3/8 × 3 3/8 in) |
| White balance | Auto | Mass Approx. 110 g (4 oz) (including stand) |
| Electronic shutter | CCX-Z79: 1/60 ~ 1/100 CCX-Z79E: 1/50 ~ 1/120 | Supplied accessories DC power adaptor (1) Operating instructions (1) |
| Focus adjustment | Manual | Design and specifications are subject to change without notice. |