

Personal Component System

Operating Instructions

PMC-20
PMC-107

Warning

To prevent fire or shock hazard, do not expose the player to rain or moisture.



This symbol is intended to alert the user to the presence of uninsulated "dangerous voltage" within the product's enclosure that may be of sufficient magnitude to constitute a risk of electric shock to persons.



This symbol is intended to alert the user to the presence of important operating and maintenance (servicing) instructions in the literature accompanying the appliance.

CAUTION

The use of optical instruments with this product will increase eye hazard.

WARNING

Do not install the appliance in a confined space, such as a bookcase or built-in cabinet.

For customers in Canada

To prevent electric shock, match wide blade of plug to wide slot, fully insert.

Information

For customers in the United States

This equipment has been tested and found to comply with the limits for a Class B digital device, pursuant to Part 15 of the FCC Rules. These limits are designed to provide reasonable protection against harmful interference in a residential installation. This equipment generates, uses and can radiate radio frequency energy and, if not installed

and used in accordance with the instructions, may cause harmful interference to radio communications. However, there is no guarantee that interference will not occur in a particular installation. If this equipment does cause harmful interference to radio or television reception, which can be determined by turning the equipment off and on, the user is encouraged to try to correct the interference by one or more of the following measures:

- Reorient or relocate the receiving antenna.
- Increase the separation between the equipment and receiver.
- Connect the equipment into an outlet on a circuit different from that to which the receiver is connected.
- Consult the dealer or an experienced radio/TV technician for help.

You are cautioned that any changes or modifications not expressly approved in this manual could void your authority to operate this equipment.

Owner's Record

The model and serial numbers are located at the rear. Record these numbers in the spaces provided below. Refer to them whenever you call upon your Sony dealer regarding this product.

Model No. _____

Serial No. _____

CAUTION

You can use this player on AC power source only. You cannot use it on batteries.

When you use this player for the first time, or when you have not used it for a long time, leave it connected to AC power source for about one hour to charge the built-in backup battery for the clock, timer, preset radio stations, etc. You can use the player during charging. The player will charge the battery automatically as long as it is connected to a power source.

When you disconnect the AC power cord after charging, be sure to turn the power off first. Once fully charged, the backup battery will last for about 30 minutes without being connected to any power sources.

If the stored data are erased, reenter them when you use the player again.

Table of contents

Basic Operations

- 4 Playing a CD
 - 6 Listening to the radio
 - 8 Playing a tape
 - 10 Recording on a tape
-

The CD Player

- 12 Using the display
- 13 Locating a specific track
- 14 Playing tracks repeatedly
(Repeat Play)
- 15 Creating your own program
(Program Play)

The Radio

- 17 Presetting radio stations
- 18 Playing preset radio stations

The Timer

- 19 Setting the clock
- 20 Waking up to music
- 22 Falling asleep to music

Setting Up

- 23 Hooking up the system
- 25 Selecting the audio emphasis
(Sound Mode/MEGA BASS)

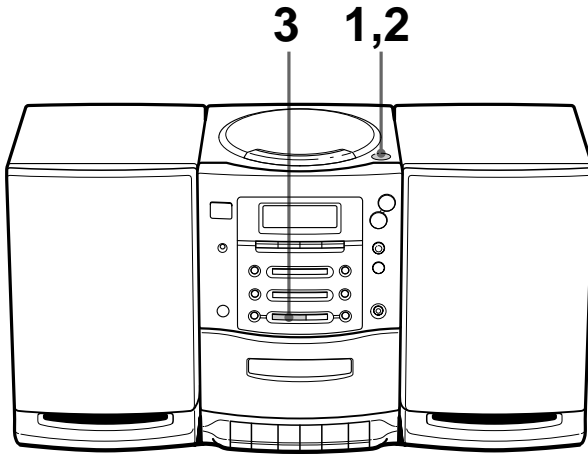
Additional Information

- 26 Precautions
- 28 Troubleshooting
- 30 Maintenance
- 31 Specifications

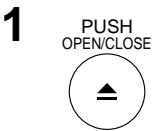
Back cover

Index

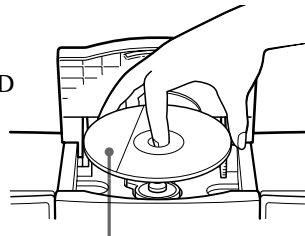
Playing a CD



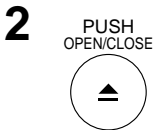
For hookup instructions, see pages 23 - 24.



Press **6** PUSH OPEN/CLOSE down to open the CD compartment and place the CD on the CD compartment.



With the label side up



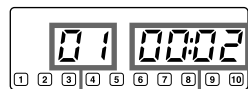
Close the lid of the CD compartment.



Press **^** (direct power-on).

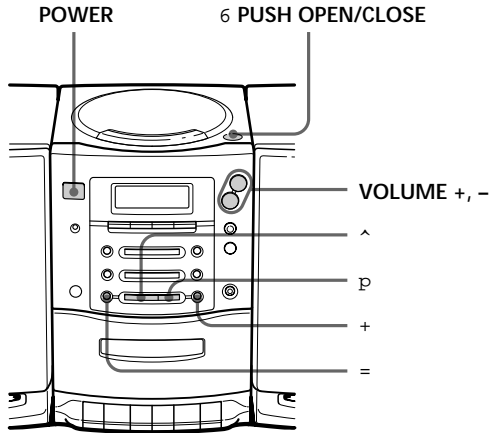
The player plays all the tracks once.

Display



Track number Playing time

Use these buttons for additional operations

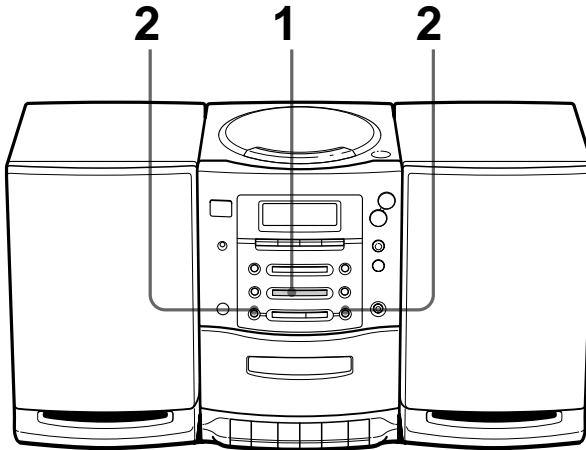


Tip

Next time you want to listen to a CD, just press ^ . The player turns on automatically and starts playing the CD.

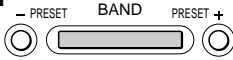
To	Press
adjust the volume	VOLUME +, - (VOL +, - on the remote)
stop playback	P
pause playback	^ (P on the remote) Press the button again to resume play after pause.
go to the next track	+
go back to the previous track	=
remove the CD	6 PUSH OPEN/CLOSE
turn on/off the player	POWER

Listening to the radio



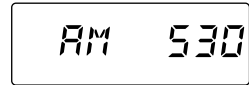
For hookup instructions, see pages 23 - 24.

1

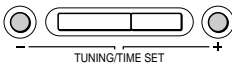


Press **BAND** until the band you want appears in the display (direct power-on).

Display



2



Hold down **TUNING/TIME SET** + or - until the frequency digits begin to change in the display.

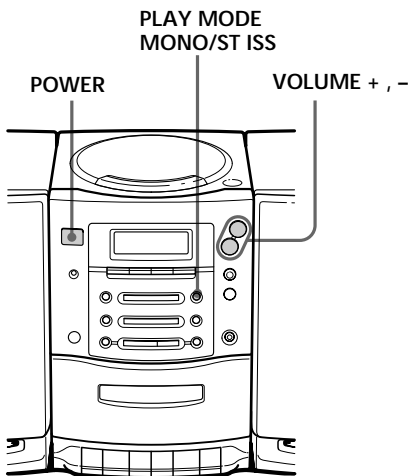
The player automatically scans the radio frequencies and stops when it finds a clear station.

If you can't tune in a station, press the button repeatedly to change the frequency step by step.

Indicates an FM stereo broadcast.



Use these buttons for additional operations



Tips

- If the FM broadcast is noisy, press PLAY MODE•MONO/ST ISS until “Mono” appears in the display and the radio will play in monaural.
- Next time you want to listen to the radio, just press BAND. The player turns on automatically and starts playing the previous station.

To	Press
adjust the volume	VOLUME +, - (VOL +, - on the remote)
turn on/off the radio	POWER

To improve broadcast reception

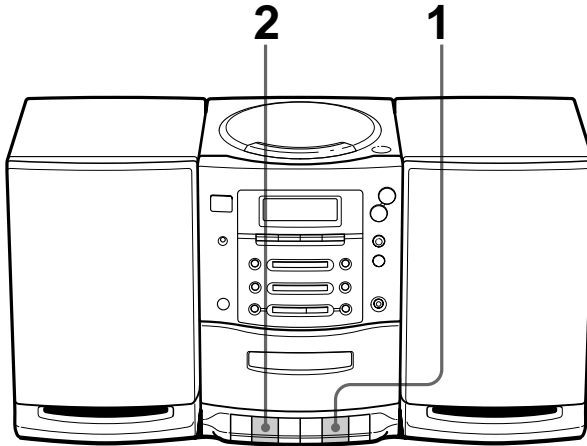
FM

Keep the FM wire aerial as horizontal as possible (see page 24).

AM

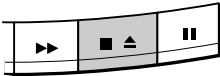
Keep the AM loop aerial (supplied) away as far as possible from the player and then reorient the aerial (see page 24).

Playing a tape



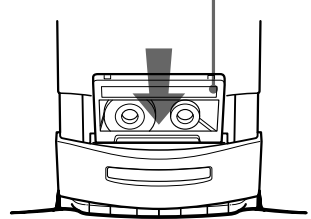
For hookup instructions, see pages 23 - 24.

1

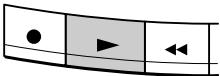


Press p6 to open the tape compartment and insert a recorded tape. Use TYPE I (normal) tape only. Close the compartment.

With the side you want to play facing you

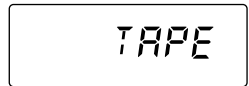


2

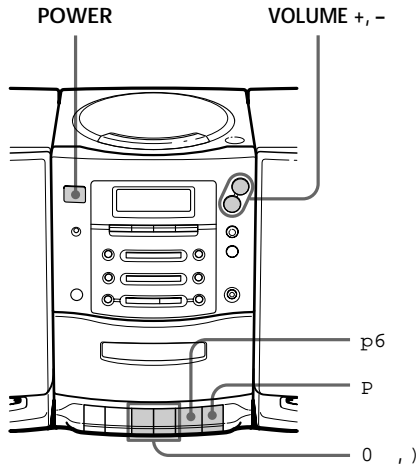


Press (.)
The player turns on (direct power-on) and starts playing.

Display



Use these buttons for additional operations

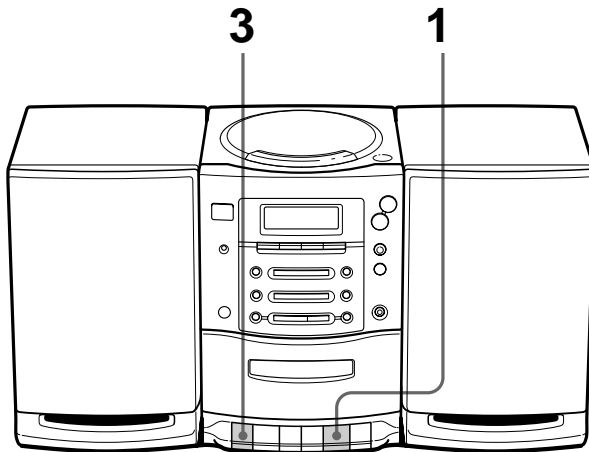


Tip

Next time you want to listen to a tape, just press (). The player turns on automatically and starts playing the tape.

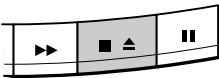
To	Press
adjust the volume	VOLUME +/- (VOL +, - on the remote)
stop playback	p6
fast-forward or rewind the tape) , 0
pause playback	P Press the button again to resume play after pause.
eject the cassette	p6
turn on/off the player	POWER

Recording on a tape



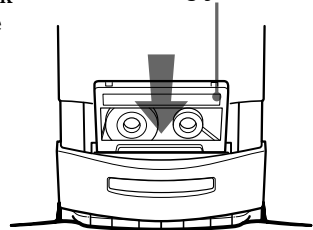
For hook-up instructions, see pages 23 - 24.

1

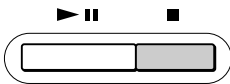


Press **p6** to open the tape compartment and insert a blank tape. Use TYPE I (normal) tape only.

With the side you want to record on facing you



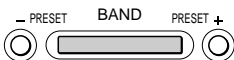
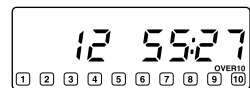
2



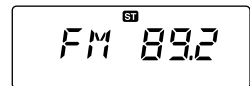
Select the program source you want to record.

To record from the CD player, insert a CD (see page 4) and press **p** on the CD section.

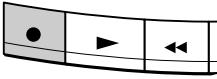
Display



To record from the radio, press **BAND** and tune in the station you want (see page 6).

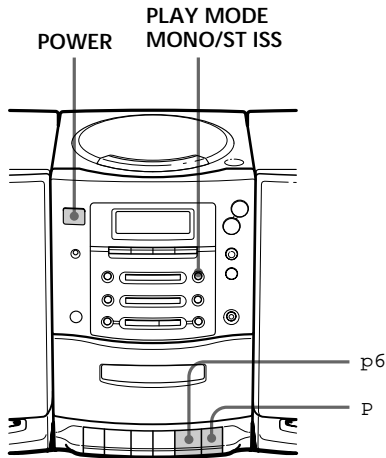


3



Press **r** to start recording.
 ((is depressed automatically.)

Use these buttons for additional operations



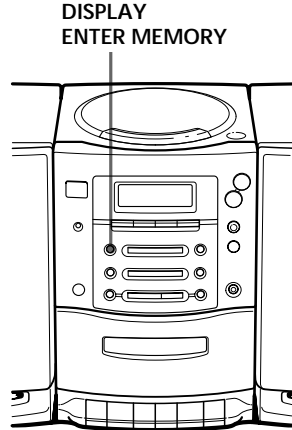
Tips

- Adjusting the volume or the audio emphasis (see page 25) will not affect the recording level.
- If the AM program makes a whistling sound after you've pressed **r** in step 3, press **PLAY MODE** • **MONO/ST ISS** repeatedly until the noise is at a minimum.
- To erase a recording, proceed as follows:
 - 1 Insert the tape whose recording you want to erase into the tape compartment.
 - 2 Turn on the power.
 - 3 Press **FUNCTION** repeatedly until "TAPE" appears in the display.
 - 4 Press **r** .

To	Press
stop recording	p6
pause recording	P Press the button again to resume recording.
turn on/off the player	POWER

Using the display

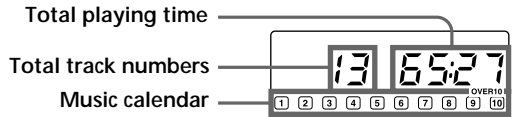
You can check information about the CD using the display.



Checking the total track numbers and playing time

Check the display in stop mode.

If the CD has more than 10 tracks, "OVER 10" appears in the display.



Checking the remaining time

Press DISPLAY • ENTER MEMORY while playing a CD.

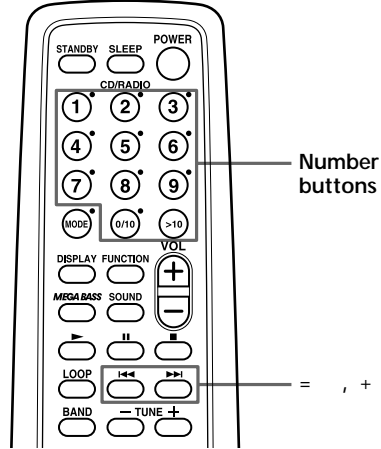
The track numbers in the music calendar disappear after they are played.

To display	Press DISPLAY • ENTER MEMORY
the current track number and the remaining time on the current track*	once
remaining time on the CD and the number of tracks left	twice
the current track number and playing time	three times

* For a track whose number is more than 20 the remaining time appears as "--:--".

Locating a specific track

You can quickly locate any track using the number buttons. You can also find a specific point in a track while playing a CD.



Note

You cannot locate a specific track if “SHUF REP” or “PGM” is lit in the display. Turn off the indication by pressing **p**.

Tip

When you locate a track numbered over 10, press **>10** first, then the corresponding number buttons.

Example:

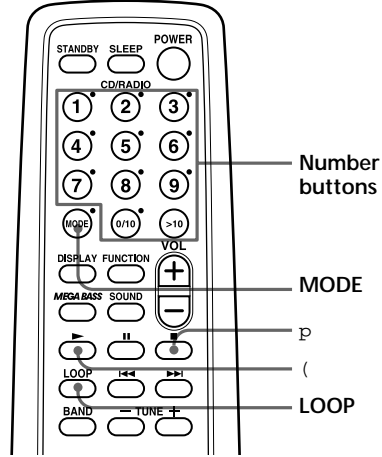
To play track number 23, press **>10** first, then 2 and 3.

To locate	Press
aspecifictrackdirectly	the number button of the track
a point while listening to the sound	+ (forward) or = (backward) while playing and hold down until you find the point
a point while observing the display	+ (forward) or = (backward) in pause and hold down until you find the point

Playing tracks repeatedly

(Repeat Play)

You can play tracks repeatedly in normal, shuffle or program play modes (see page 15).



Tip

Press and hold LOOP on the remote during play to repeat a selected part of a CD. When you release LOOP, the player returns to normal play.

- 1 Press **p**.
“Cd” appears in the display.
- 2 Press **MODE** (PLAY MODE • MONO/ST ISS on the player) until the repeat mode you want appears in the display.

To repeat	Select
asingletrack	REP 1
allthetracks	REP ALL
tracks in random order	SHUF REP
programed tracks	PGM REP

- 3 Do either of the following to start repeat play:
 - When you’ve selected **REP 1**, select the track by pressing the number button (pressing = or + then ^ on the player).
 - When you’ve selected **REP ALL** or **SHUF REP**, press ((^ on the player).
 - When you’re selected **PGM REP**, program tracks (see step 3 on page 15), then press ((^ on the player).

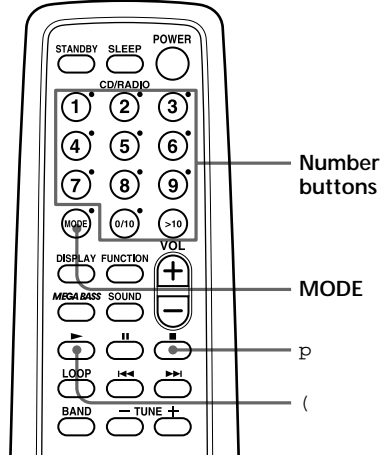
To cancel Repeat Play

Press **MODE** until “REP” disappears from the display.

Creating your own program

(Program Play)

You can arrange the playing order of up to 20 tracks on a CD.



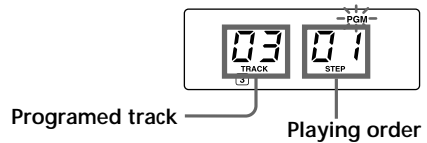
On the player

- 1 Press **p**.
- 2 Press **PLAY MODE** • **MONO/ST ISS** until "PGM" appears in the display.
- 3 Press **=** or **+** and then press **DISPLAY** • **ENTER MEMORY** for the tracks you want to program in the order you want.
- 4 Press **^**.

Tips

- You can play the same program again, since the program is saved until you turn off the power or open the CD compartment.
- You can record your own program. After you've created the program, insert a blank tape and press **r** to start recording.

- 1 Press **p**.
"Cd" appears in the display.
- 2 Press **MODE** until "PGM" appears in the display.
- 3 Press the number buttons for the tracks you want to program in the order you want.
You can program up to 20 tracks.



The programmed tracks appear in the music calendar.

- 4 Press **(** to start program play.

continued

Creating your own program (Program Play) (continued)

To cancel Program Play

Press MODE until "PGM" disappears from the display.

To check the order of tracks before play

Press DISPLAY • ENTER MEMORY on the player.

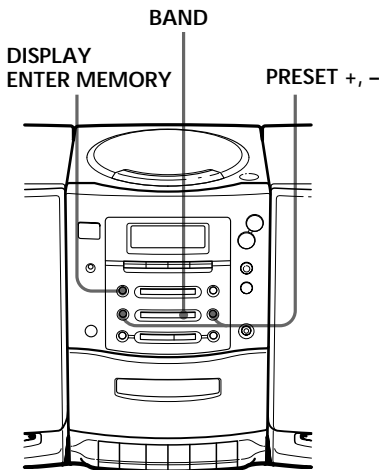
Every time you press the button, the track number appears in the programmed order.

To change the current program

Press \square once if the CD is stopped and twice if the CD is playing. The current program will be erased. Then create a new program following the programming procedure.

Presetting radio stations

You can store radio stations into the player's memory. You can preset up to 20 radio stations, 10 for each band.



On the player

- 1 Press **BAND** to select the band.
- 2 Set the frequency to the station you want.
- 3 Hold down **DISPLAY • ENTER MEMORY** for 2 seconds.
- 4 Press **PRESET+** or **-** until the preset number (1 to 10) you want for the station flashes in the music calendar.
- 5 Press **DISPLAY • ENTER MEMORY** again.

- 1 Press **BAND** until the band you want appears in the display.
- 2 Hold down **BAND** for about 2 seconds until "AUTO" appears in the display.
- 3 Press **DISPLAY • ENTER MEMORY**.
The stations are stored in memory from the lower frequencies to the higher ones.

If a station cannot be preset automatically

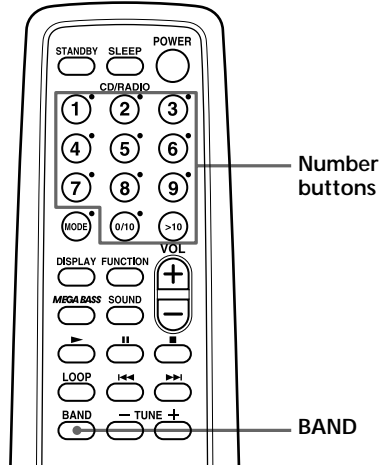
You need to preset a station with a weak signal manually. Also, when you want to replace a preset station with a new one, proceed as follows:

Use the remote.

- 1 Press **BAND** until the band you want appears in the display.
- 2 Set the frequency to the station you want.
- 3 Hold down the number buttons that you want to preset the new station for 2 seconds.
The new station replaces the old one.

Playing preset radio stations

Once you've preset the stations, use the number buttons on the remote or the PRESET +/- to tune in your favorite stations.



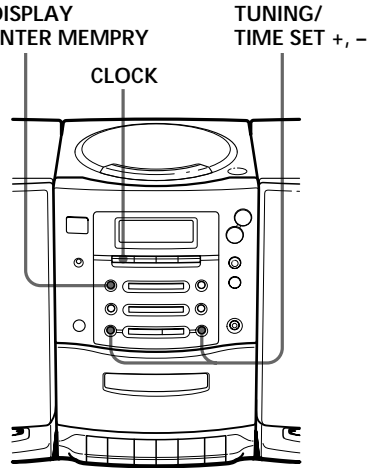
On the player

- 1 Press BAND to select the band.
- 2 Press PRESET + or - to tune in the stored station.

- 1 Press BAND to select the band.
- 2 Press the number buttons to tune in the stored station.

Setting the clock

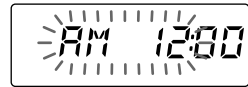
“AM 12:00” indication flashes in the display until you set the clock.



Tip
The time display system:
12-hour system

Before you begin, hook up the system (see pages 23 - 24).

- 1 Press **CLOCK** for 2 seconds until the hour digit flashes.



- 2 Press **TUNING/TIME SET +** or **-** until you set the current hour. Then press **DISPLAY • ENTER MEMORY**.

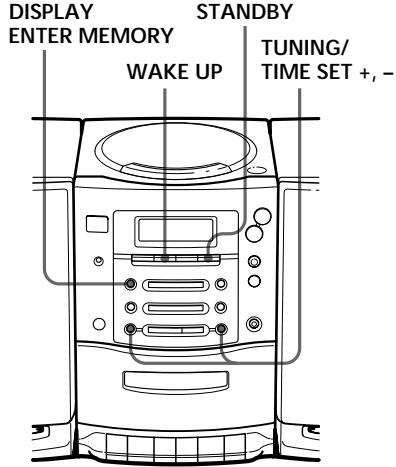
The minute digits flash. Set the minutes by pressing **TUNING/TIME SET +** or **-** until the correct minute is displayed.



- 3 Press **DISPLAY • ENTER MEMORY**.
The clock starts from 00 seconds.

Waking up to music

You can wake up to music or a radio program at a preset time. Make sure you have set the clock (“Setting the clock” on page 19).



Before you begin, make sure the τ (clock) indication is not lit in the display. If it is lit, press STANDBY.

- 1 Prepare the music source you want to play.

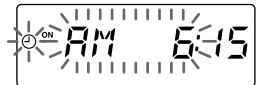
To play	Do this
theradio	Tune in a station.
a CD	Insert a CD.

- 2 Press WAKE UP.

The τ (clock) and the music source (“Cd” or “RADiO”) flash.

- 3 Select the music source (“Cd” or “RADiO”) by pressing TUNING/TIME SET + or -, then DISPLAY • ENTER MEMORY.

- 4 Set the timer to the hour you want the music to start by pressing TUNING/TIME SET + or -, then DISPLAY • ENTER MEMORY.



Set the minutes, then press DISPLAY • ENTER MEMORY.

- 5 Set the timer to the hour and the minutes you want the music to go off. (Do as step 4.)

Tip

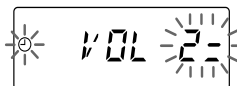
You can have the player go on the next day at the same time. Just press **STANDBY** until the τ indication appears in the display. The preset settings remain until you reset them.

Note

The timer mode is canceled:

- when you press (button of the tape player while music plays in the timer mode.
- when you select "TAPE" using **FUNCTION**.

- 6** Press **TUNING/TIME SET +** or **-** to set the volume, then **DISPLAY•ENTER MEMORY**.



- 7** Press **STANDBY**.

The τ indication lights up and the power goes off.

At the preset time, the power will go on, and the music will play. Then the power will go off at the preset time, and the player will enter the standby mode.

To check/change when the playback will start

Press **WAKE UP**, then **DISPLAY•ENTER MEMORY**. Each time you press **DISPLAY•ENTER MEMORY**, a stored setting is displayed in the set order. To change the setting, display the setting you want to change and reenter it.

To use the player before a timer playback starts

Just turn on the player, and then you can use it.

If you turn off the player before the preset time, timer playback will start at the preset time.

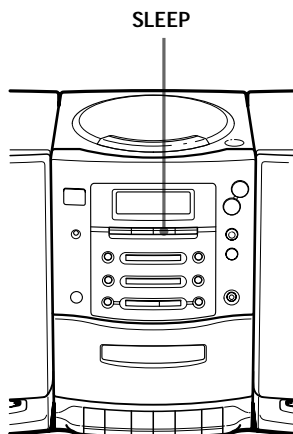
In case of the radio, however, if you listen to the station which is different from the one you tuned in step 1 on page 20, you will hear that station at the preset time. Make sure to tune in the station you want to listen to before you turn off the player.

To stop play

Press **POWER**.

Falling asleep to music

You can set the player to turn off automatically after 10, 20, 30, 60, 90, and 120 minutes, allowing you to fall asleep while listening to music.



Tips

- When you are playing radio or CD, make sure that () of the tape player is not depressed.
- You can fall asleep and wake up to different music. Set the waking up timer first (see page 20), turn on the power, and then set the sleeping timer. However, you cannot store different radio stations.

Note

When you are playing a tape using this function: If the tape length of one side is longer than the set time, the player will not go off until the tape reaches the end.

- 1** Play the music source you want.
- 2** Press SLEEP to display “SLEEP.”
- 3** Press SLEEP to select the minutes.

Each time you press the button, the indication changes as follows: “60” n “90” n “120” n no indication n “10” n “20” n “30.”

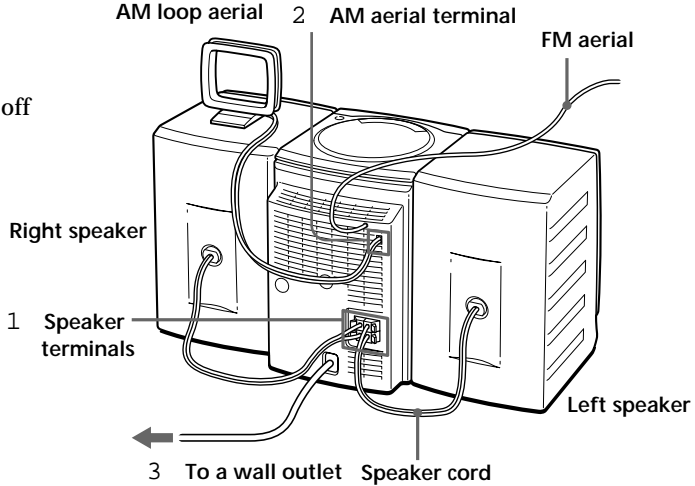


To cancel the sleep function

Press POWER to turn off the power.

Hooking up the system

Make sure you turn off the power before making any connections.



Note

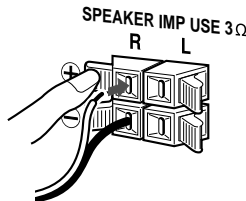
Connect the supplied speakers to this player. If you connect any other speakers or equipment, a malfunction may occur.

1 Hooking up the speakers

- 1** Twist the speaker cable coating and strip it from the end of the cable.



- 2** Connect the black wire to (-) minus and the red wires to (+) plus terminals: the right speaker wires to the R and the left speaker wires to the L terminals.

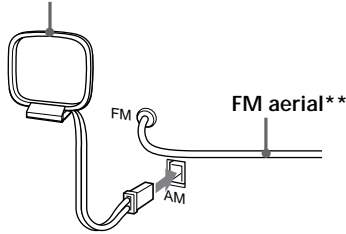


continued

Hooking up the system (continued)

2 Hooking up the aerials

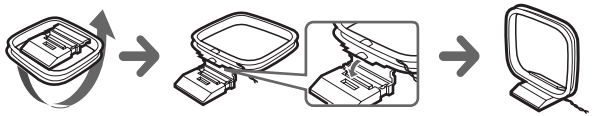
AM loop aerial
(supplied)*



*Reorient the aerial to improve broadcast reception.

**Keep the aerial as horizontal as possible.

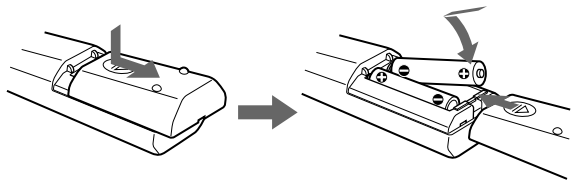
Setting up the AM loop aerial



3 Connecting the AC power cord

Connect the AC power cord to the wall outlet.

4 Inserting batteries into the remote



Insert two size AA (R6) batteries (not supplied)

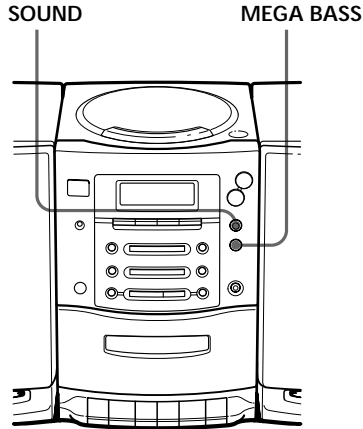
Replacing batteries

With normal use, the batteries should last for about six months. When the remote no longer operates the player, replace all the batteries with new ones.

Selecting the audio emphasis

(Sound Mode/MEGA BASS)

You can adjust the audio emphasis of the sound you are listening to.



Selecting the sound characteristic

Press SOUND to select the audio emphasis you want.

Choose	To get
ROCK	powerful, clean sounds, emphasizing low and high range audio
VOCAL	the presence of vocals, stressing middle range audio
LIVE	percussive sounds, emphasizing bass audio
POP	light, bright sounds emphasizing high and middle range audio
OFF	the whole dynamic range for music such as classical music

Reinforcing the bass sound

Press MEGA BASS.

"MEGA BASS" appears in the display. To return to normal sound, press the button again.

Precautions

On safety

- As the laser beam used in the CD player section is harmful to the eyes, do not attempt to disassemble the casing. Refer servicing to qualified personnel only.
- Should any solid object or liquid fall into the player, unplug the player, and have it checked by qualified personnel before operating it any further.
- Do not place anything within 10 mm of the side of the cabinet. The ventilation holes must be unobstructed for the player to operate properly and prolong the life of its components.
- If the player is left in a car parked in the sun, be sure to choose a location in the car where the player will not be subjected to the direct rays of the sun.

On power sources

- The player is not disconnected from the AC power source (mains) as long as it is connected to the wall outlet, even if the player itself has been turned off.
- When the batteries are not to be used, remove them to avoid damage that can be caused by battery leakage or corrosion.
- Unplug the player from the wall outlet when it is not to be used for an extended period of time.
- The nameplate indicating operating voltage, power consumption, etc. is located at the rear.

On placement

- Do not leave the player in a location near heat sources, or in a place subject to direct sunlight, excessive dust or mechanical shock.
- Do not place the player on an inclined or unstable place.

On operation

- If the player is brought directly from a cold to a warm location, or is placed in a very damp room, moisture may condense on the lens inside the CD player section. Should this occur, the player will not operate properly. In this case, remove the CD and wait about an hour for the moisture to evaporate.
- If the player has not been used for a long time, set it in the playback mode to warm it up for a few minutes before inserting a cassette.

If you have any questions or problems concerning your player, please consult your nearest Sony dealer.

Notes on CDs

- Before playing, clean the CD with a cleaning cloth. Wipe the CD from the center out.

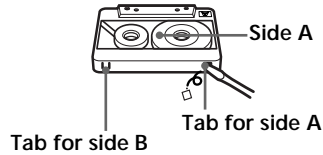


- Do not use solvents such as benzine, thinner, commercially available cleaners or anti-static spray intended for vinyl LPs.
- Do not expose the CD to direct sunlight or heat sources such as hot air ducts, nor leave it in a car parked in direct sunlight as there can be a considerable rise in temperature inside the car.
- Do not stick paper or sticker on the CD, nor scratch the surface of the CD.
- After playing, store the CD in its case.

If there is a scratch, dirt or fingerprints on the CD, it may cause tracking error.

Notes on cassettes

- Break off the cassette tab from side A or B to prevent accidental recording. If you want to reuse the tape for recording, cover the broken tab with adhesive tape.



- The use of a cassette with more than 90 minutes of play time is not recommended except for long, continuous recording or playback.

Troubleshooting

	Symptom	Remedy
General	The power is not on.	<ul style="list-style-type: none"> • Connect the AC power cord to a wall outlet securely.
	There is no audio.	<ul style="list-style-type: none"> • Make sure that the speakers are connected correctly. • Make sure the function you want to use appears in the display. • Adjust the volume. • Unplug the headphones when listening through speakers.
	Noise is heard.	<ul style="list-style-type: none"> • Someone is using a portable telephone or other equipment that emits radio waves near the player. → Move the portable telephone, etc., away from the player.
CD Player	“no disc“ lights in the display even when a CD is in place.	<ul style="list-style-type: none"> • Insert the CD with the label surface up.
	The CD does not play.	<ul style="list-style-type: none"> • Make sure that the CD compartment is closed. • Place the CD with the label surface up. • Clean the CD. • Take out the CD and leave the CD compartment open for about an hour to dry moisture condensation. • Make sure “Cd” appears in the display.
	The sound drops out. Noise is heard.	<ul style="list-style-type: none"> • Reduce the volume. • Clean the CD, or replace it if the CD is badly damaged • Place the player in a location free from vibration. • The sound may drop out or noise may be heard if the CD is recorded using a personal computer (CD-R, etc.)
Radio	The audio is weak or has poor quality.	<ul style="list-style-type: none"> • Move the player away from the TV. • If you are using the remote while listening to AM radio, noise may be heard. This is unavoidable.
	The picture of your TV becomes unstable.	<ul style="list-style-type: none"> • If you are listening to an FM program near the TV with an indoor antenna, move the player away from the TV.

	Symptom	Remedy
Tape Player	The tape does not move when you press an operation button.	<ul style="list-style-type: none"> • Close the tape compartment securely.
	The τ button does not function/ The tape does not play.	<ul style="list-style-type: none"> • Make sure the safety tab on the cassette is in place. • Make sure "TAPE" appears in the display.
	The tape does not erase completely.	<ul style="list-style-type: none"> • Clean the erasing head (see page 30).
	The tape does not record.	<ul style="list-style-type: none"> • Make sure the tape is inserted properly. • Make sure the safety tab of the cassette is in place.
	The audio is weak/The audio quality is poor.	<ul style="list-style-type: none"> • Clean the heads, pinch roller and capstan (see page 30). • Demagnetize the heads using a demagnetizer (see page 30).
	The sound is distorted.	<ul style="list-style-type: none"> • The TYPE II (high position) or TYPE IV (metal) tape is being used. Use TYPE I (normal) tape only.
Timer	The timer does not operate.	<ul style="list-style-type: none"> • Make sure the time on the clock is correct. • Check to see if the AC power had been cut off. • Make sure the τ (clock) indication is displayed.
	The remote does not function.	<ul style="list-style-type: none"> • Make sure that you are pointing the remote at the remote sensor on the player. • Remove any obstacles in the path of the remote and the player. • Make sure the remote sensor is not exposed to strong light such as direct sunlight or fluorescent lamp light. • Move closer to the player when using the remote.
Remote		

After trying the above remedies, if you still have problems, unplug the AC power cord. After all the indications in the display disappear, plug the power cord. If the problem persists, please consult your nearest Sony dealer.

Maintenance

Cleaning the lens

If the lens becomes dirty, it may cause a skipping of sound during CD operation. Clean with a commercially available blower.

Cleaning the tape heads and tape path

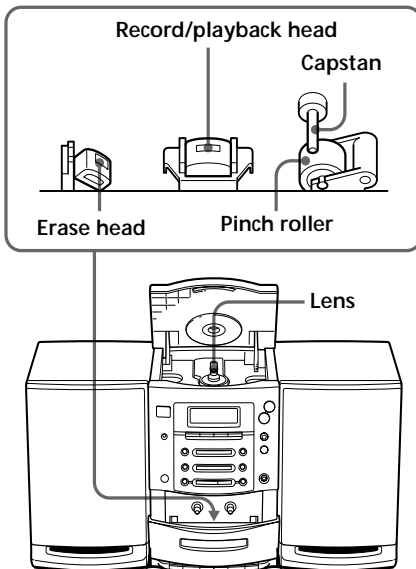
Wipe the heads, the pinch roller and the capstan with a cleaning swab slightly moistened with cleaning fluid or alcohol after every 10 hours of operation for optimum playback and recording quality. To make the best possible recording, however, we recommend that you clean all surfaces over which tape travels before each recording.

Demagnetizing the tape heads

After 20 to 30 hours of use, enough residual magnetism will have built up on the tape heads to begin to cause loss of high frequency sound and hiss. At this time, you should demagnetize the heads and all metal parts in the tape path with a commercially available tape head demagnetizer.

Cleaning the cabinet

Clean the cabinet, panel and controls with a soft cloth slightly moistened with a mild detergent solution. Do not use any type of abrasive pad, scouring powder, or solvent, such as alcohol or benzine.



After cleaning, insert a tape when the areas cleaned are completely dry.

Specifications

AUDIO POWER SPECIFICATIONS

POWER OUTPUT AND TOTAL HARMONIC DISTORTION

With 3-ohm loads, both channels driven from 150 - 10,000 Hz; rated 4.2 W per channel - minimum RMS power, with no more than 10 % total harmonic distortion in AC operation.

CD player section

System

Compact disc digital audio system

Laser diode properties

Material: GaAlAs

Wave length: 780 nm

Emission duration: Continuous

Laser output: Less than 44.6 μ W

(This output is the value measured at a distance of about 200 mm from the objective lens surface on the optical pick-up block with 7 mm aperture.)

Spindle speed

200 r/min (rpm) to 500 r/min (rpm) (CLV)

Number of channels

2

Frequency response

20 - 20,000 Hz $\pm 1/-2$ dB

Wow and flutter

Below measurable limit

Radio section

Frequency range

FM: 87.6 - 108 MHz

AM: 531 - 1,602 kHz (Australian model)

530 - 1,710 kHz (Other models)

IF

FM: 10.7 MHz

AM: 450 kHz

Aerials

FM: Wire aerial

AM: External aerial

Cassette-corder section

Recording system

4-track 2 channel stereo

Fast winding time

Approx. 120 s (sec.) with Sony cassette C-60

Frequency response

TYPE I (normal): 70 - 10,000 Hz

General

Speaker

Full range: 10 cm (4 in.) dia.,
3 ohms, cone type (2)

Outputs

Headphones jack (stereo minijack)

For 16 - 68 ohms impedance headphones

Power output (excluding US model)

4.5 W + 4.5 W (at 3 ohms, 10 % harmonic distortion)

Power requirements

For personal component system:

230 V AC, 50 Hz (Australian model)

120 V AC, 60 Hz (Other models)

For remote control:

3 V DC, 2 size AA (R6) batteries

Power consumption

AC 23 W (Australian model)

AC 18 W (Other models)

Dimensions (incl. projecting parts)

Player: Approx. 160 \times 245 \times 215 mm (w/h/d)
(6 $\frac{3}{8}$ \times 9 $\frac{3}{4}$ \times 8 $\frac{1}{2}$ inches)

Speaker: Approx. 150 \times 245 \times 175 mm (w/h/d)
(6 \times 9 $\frac{3}{4}$ \times 7 inches)

Mass

Player: Approx. 2.6 kg (5 lb. 12 oz)

Speaker: Approx. 1.1 kg (2 lb. 7 oz)

Supplied accessories

Remote control (1)

AM loop aerial (1)

Design and specifications are subject to change without notice.

Optional accessories

Sony MDR headphones series

Index

A

Audio emphasis 25

B

Batteries

for remote 24

C

CD player 12

Cleaning

cabinet 30

lens 30

tape heads and tape

path 30

Connecting AC power cord

24

Creating your own program

15

D, E, F, G

Demagnetizing the tape

heads 30

Display 12

H

Hooking up 23

I, J, K

Improving broadcast

reception 7

L

Listening to the radio 6

Locating a specific track 13

LOOP 14

M, N, O

MEGA BASS 25

P, Q

Playing

a CD 4

a tape 8

preset radio stations 18

tracks repeatedly 14

Presetting radio stations 17

Program Play 15

R

Radio stations

playing 18

presetting 17

Recording on a tape 10

Repeat Play 14

S

Selecting

audio emphasis 25

tracks 5

Setting the clock 19

Setting up 23

SOUND 25

T

Timer

Falling asleep to music

22

Waking up to music 20

Troubleshooting 28

U, V, W, X, Y, Z

Using the display 12