

Precautions

- Do not tamper with the four holes on the upper surface of the unit. They are used for tuner adjustments to be made only by service technicians.
- Choose the mounting location carefully so the unit will not interfere with driving.
- Avoid installing the unit where it would be subject to high temperatures, such as from direct sunlight or hot air from the heater, or where it would be subject to dust, dirt or excessive vibration.
- Use only the supplied mounting hardware for safe and secure installation.

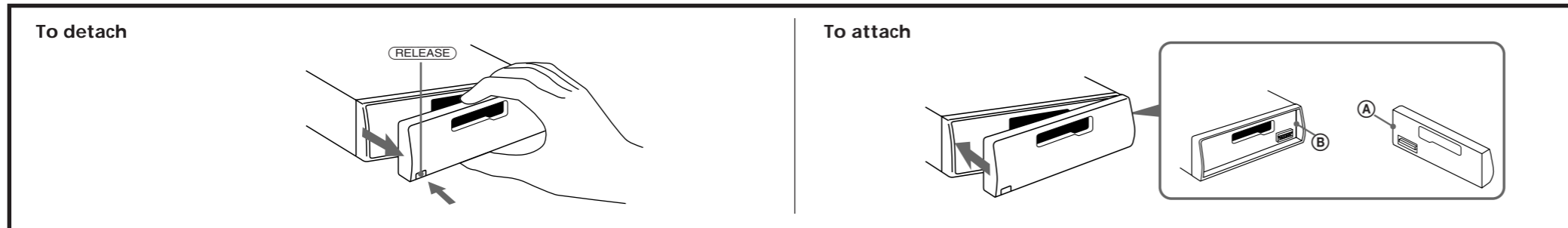
Mounting angle adjustment
Adjust the mounting angle to less than 20°.

How to Detach and Attach the Front Panel

Before installing the unit, detach the front panel.

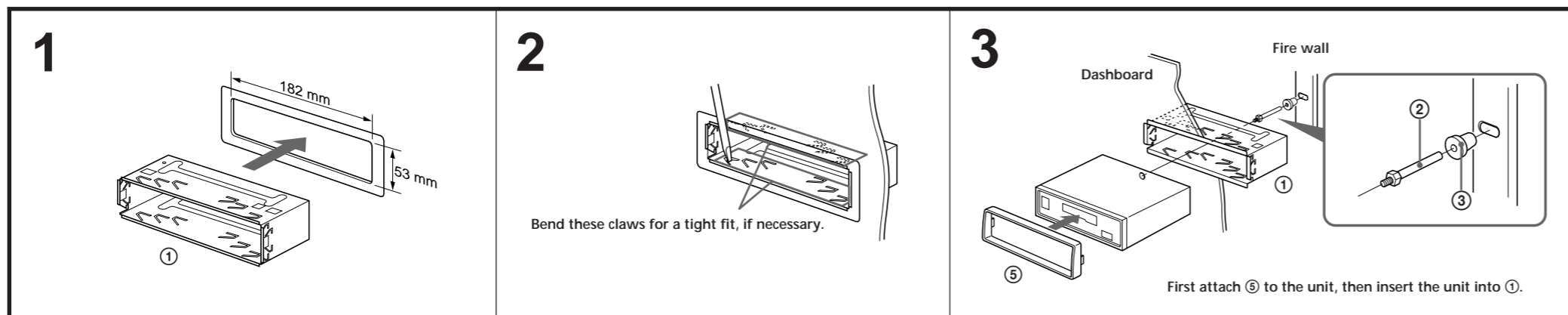
To detach
Press **(RELEASE)** to detach the front panel then gently pull it out.

To attach
Align parts **(A)** and **(B)**, and push the front panel in until it clicks.



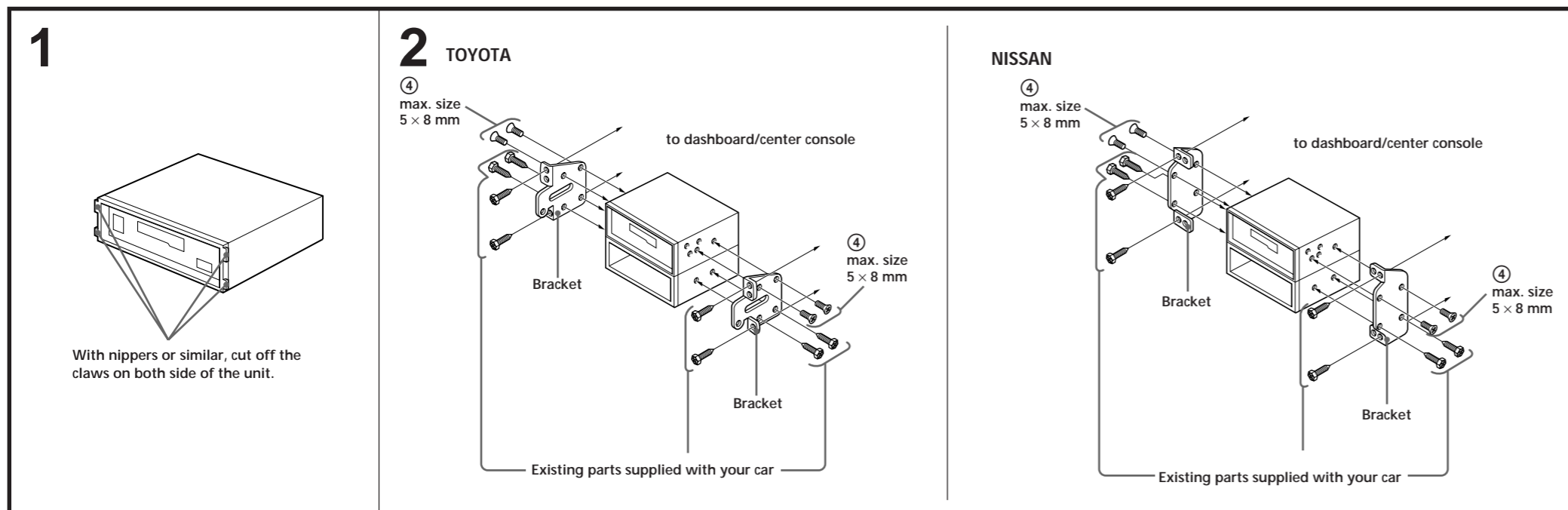
Mounting example

Installation in the dashboard



Mounting the Unit in a Japanese Car

You may not be able to install this unit in some makes of Japanese cars. In such a case, consult your Sony dealer.



Note
To prevent malfunction, install only with the supplied screws **(4)**.

FM/MW/SW Cassette Car Stereo

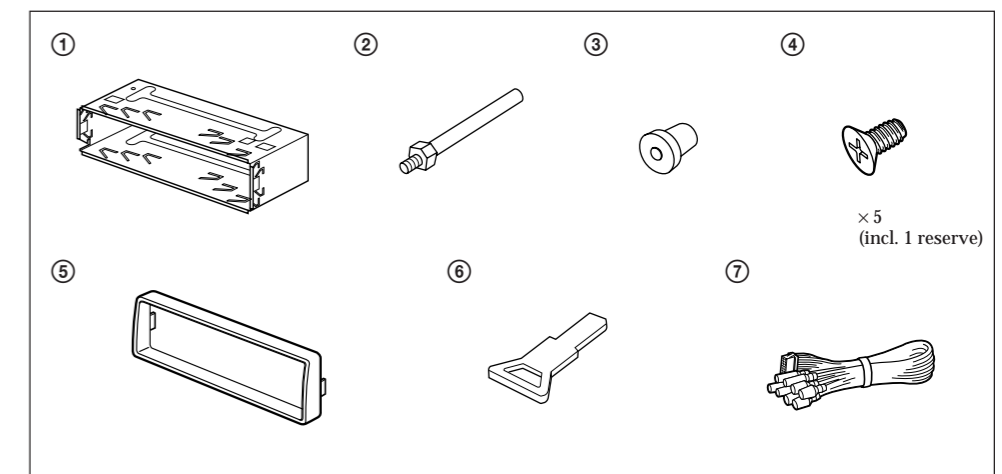
Installation/Connections

XR-4807

Sony Corporation ©1998 Printed in South Africa

Parts for Installation and Connections

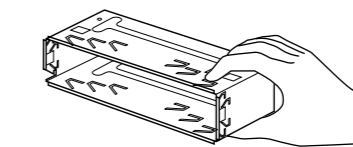
The numbers in the list correspond to those in the instructions.



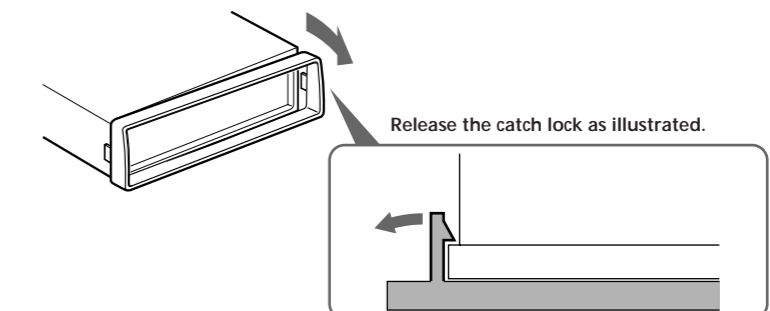
The release key **(6)** is used for dismantling the unit. See the Operating Instructions manual for details.

Caution

- Cautionary notice for handling the bracket **(1)**.
Handle the bracket carefully to avoid injuring your fingers.



- Remove the protection collar **(3)** before installing.



Connection

Caution

- This unit is designed for negative ground 12 V DC operation only.
 - Before making connections, disconnect the ground terminal of the car battery to avoid short circuits.
 - Connect the yellow and red power input leads only after all other leads have been connected.
 - Be sure to connect the red power input lead to the positive 12 V power terminal which is energized when the ignition key switch is in the accessory position.
 - Run all ground wires to a common ground point.
 - Connect the yellow cord to a free car circuit rated higher than the unit's fuse rating.
- If you connect this unit in combination with other stereo components, the car circuit they are connected to must be rated higher than the sum of the individual components' fuse rating.
- If there are no car circuits rated as high as the unit's fuse rating, connect the unit directly to the battery.
- If no car circuits are available for connecting this unit, connect the unit to a car circuit rated higher than the unit's fuse rating in such a way that if the unit blows its fuse, no other circuits will be cut off.

If Your Car has No Accessory Position on the Ignition Key Switch

— POWER SELECT switch

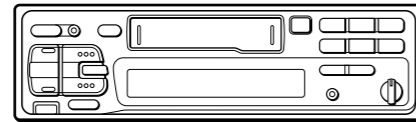
The illumination on the front panel is factory set to be turned on even while the unit is not in use. However, this setting may cause some car battery wear if your car has no accessory position on the ignition key switch. To avoid this battery wear, set the POWER SELECT switch located on the bottom of the unit to the **ⓑ** position, then press the reset button. The illumination is reset to stay off while the unit is not in use.

Note
The caution alarm for the front panel is not activated when the POWER SELECT switch is set to the **ⓑ** position.

Frequency Select Switch

The MW (FM) tuning interval is factory set to the 9K (50 K) position. If the frequency allocating system of your country is based on 10 kHz (200 kHz) interval, set the switch on the bottom of the unit the 10 K (200 K) position before making connections.

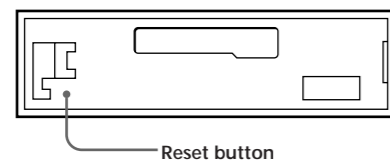
POWER SELECT and frequency select switch
Change the position with a jeweler's screwdriver, etc.



When you change the position of the switch, be sure to press the reset button after the connections are complete.

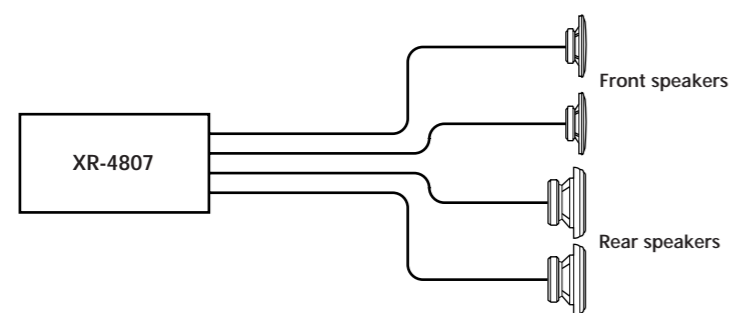
Reset button

When the installation and connections are complete, be sure to press the reset button with a ball-point pen etc.

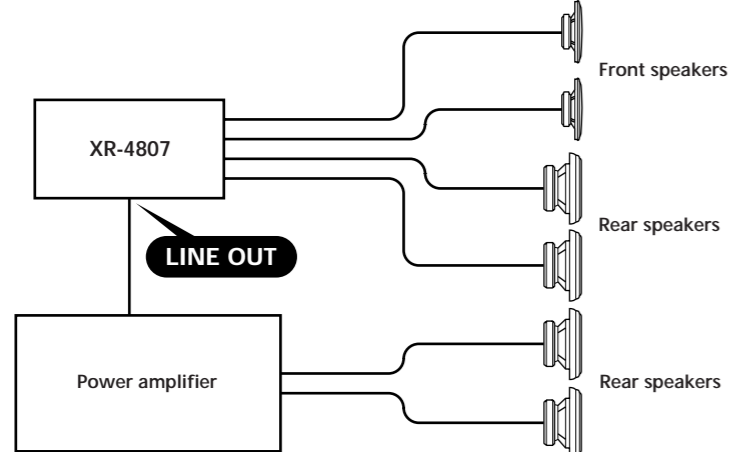


Connection diagram

Example 1



Example 2



Note
If you connect an optional power amplifier to the LINE OUT and do not use the built-in amplifier, the beep tone will be disabled.

Connection example

