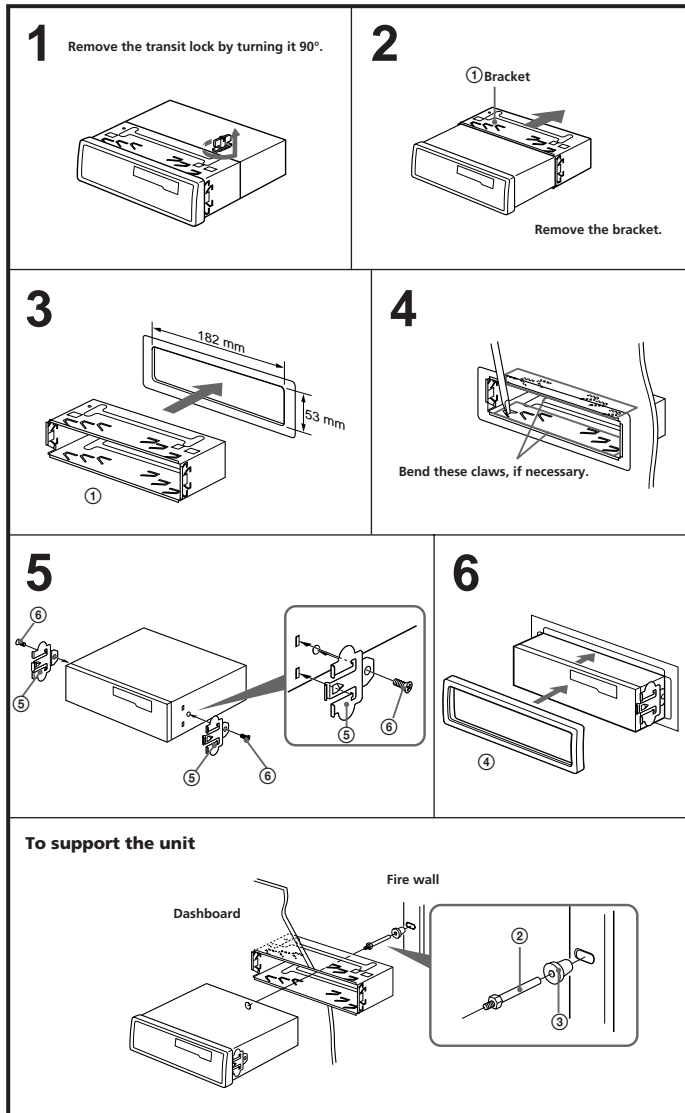


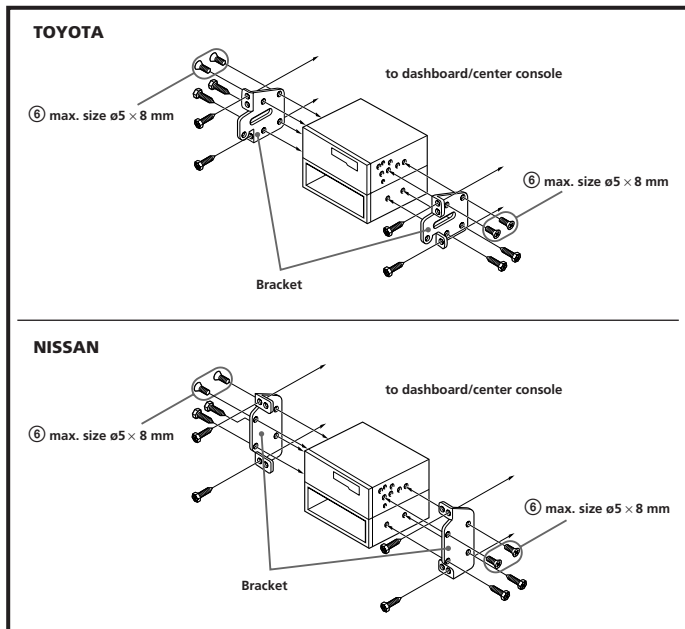
Mounting Example

Installation in the dashboard



Mounting the Unit in a Japanese Car

You may not be able to install this unit in some makes of Japanese cars. In such a case, consult your Sony dealer.



Note
To prevent malfunction, install only with the supplied screws ⑤ and use existing parts supplied to your car.

FM/AM Cassette Car Stereo

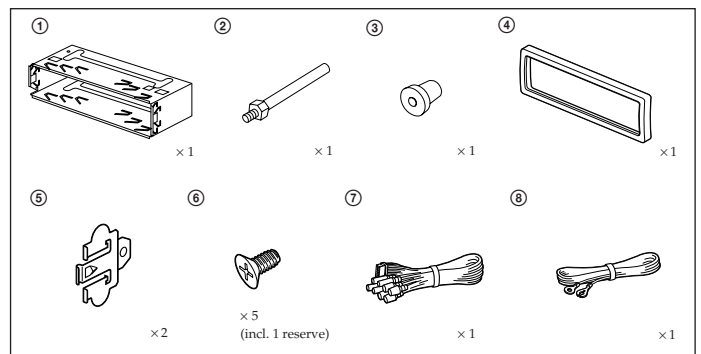
Installation/Connections

XR-1947

Sony Corporation © 1996 Printed in Indonesia

Parts for Installation and Connections

The numbers in the list are keyed to those in the instructions.



Precautions

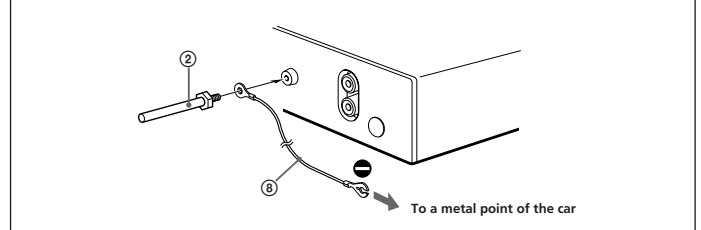
- Choose the installation location carefully so that the unit will not hamper the driver during driving.
- Avoid installing the unit where it would be subject to high temperatures, such as from direct sunlight or hot air from the heater, or where it would be subject to dust, dirt or excessive vibration.
- Use only the supplied mounting hardware for a safe and secure installation.

Mounting angle adjustment

Adjust the mounting angle to less than 20°.

Note for Connecting

If there is alternator noise (a whining sound when raising engine speed), ground the master unit by connecting it to a metal point of the car with the supplied chassis ground cord ⑧. Connect the ground cord to the master unit with part ② as shown in the illustration.



Connections

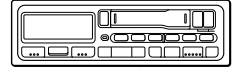
Caution

- This unit is designed for negative ground 12 V DC operation only.
- Before making connections, disconnect the ground terminal of the car battery to avoid short circuits.
- Connect the **yellow** and **red** power input leads only after all other leads have been connected.
- Run all ground wires to a common ground point.

Frequency Select Switch

The AM (FM) tuning interval is factory-set to the 9K (50 K) position. If the frequency allocation system of your country is based on 10 kHz (200 kHz) interval, set the switch on the bottom of the unit to the 10 K (200 K) position before making connections.

Change the position with a jeweler's screwdriver, etc.



Connection Example

Notes on the control leads

- The ANT REM lead (blue) supplies +12 V DC when you turn on the unit. When the ANT REM lead is connected to the power antenna, the antenna will be extended as long as the unit is turned on.
- A power antenna without relay box cannot be used with this unit.

Memory hold connection

When the yellow power input lead is connected, power will always be supplied to the memory circuit even when the ignition key is turned off.

Notes on speaker connection

- Before connecting the speakers, turn the unit off.
- Use speakers with an impedance of 4 to 8 ohms, and with adequate power handling capacities. Otherwise, the speakers may be damaged.
- Do not connect the terminals of the speaker system to the car chassis, and do not connect the terminals of the right speaker with those of the left speaker.
- Do not attempt to connect the speakers in parallel.
- Do not connect any active speakers (with built-in amplifiers) to the speaker terminals of the unit. Doing so may damage the active speakers. Therefore, be sure to connect passive speakers to these terminals.

