

Installation

SONY

3-858-376-11 (1)

Precautions

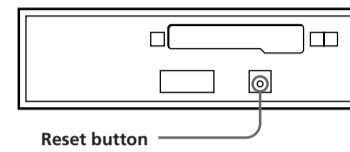
- Choose the installation location carefully so that the unit does not hamper the driver during driving.
- Avoid installing the unit where it would be subject to high temperatures, such as from direct sunlight or hot air from the heater, or where it would be subject to dust, dirt or excessive vibration.
- Use only the supplied mounting hardware for a safe and secure installation.

Mounting angle adjustment

Adjust the mounting angle to less than 20°.

Reset Button

When the installation and connections are over, be sure to press the reset button with a ball-point pen etc.



FM/AM Cassette Car Stereo

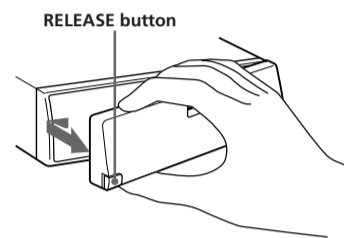
Installation/Connections

How to Detach and Attach the Front Panel

Before installing the unit, detach the front panel.

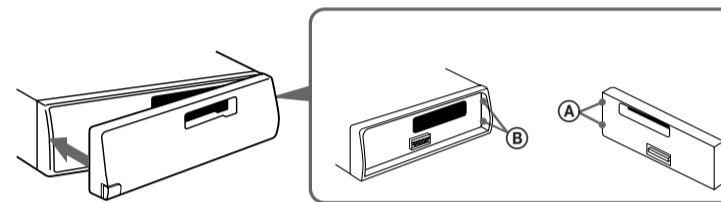
To detach

Press the RELEASE button to open up the front panel, and slide the front panel a little to the left. Then pull it off towards you.



To attach

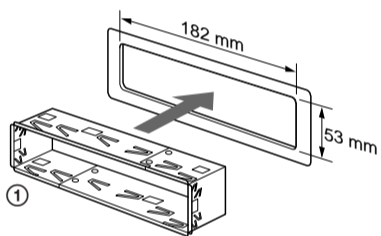
Apply the right hand side of the front panel to the unit by attaching part ④ of the front panel to part ⑥ of the unit as illustrated, then swing the left side into the unit until it clicks.



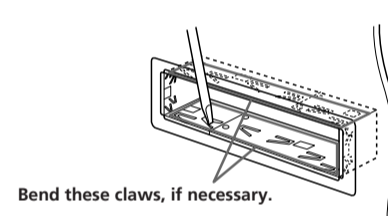
Mounting Example

Installation in the dashboard

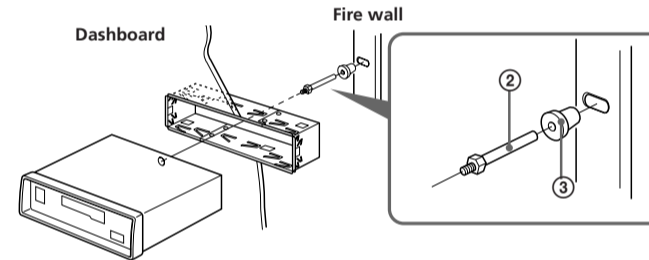
1



2



3

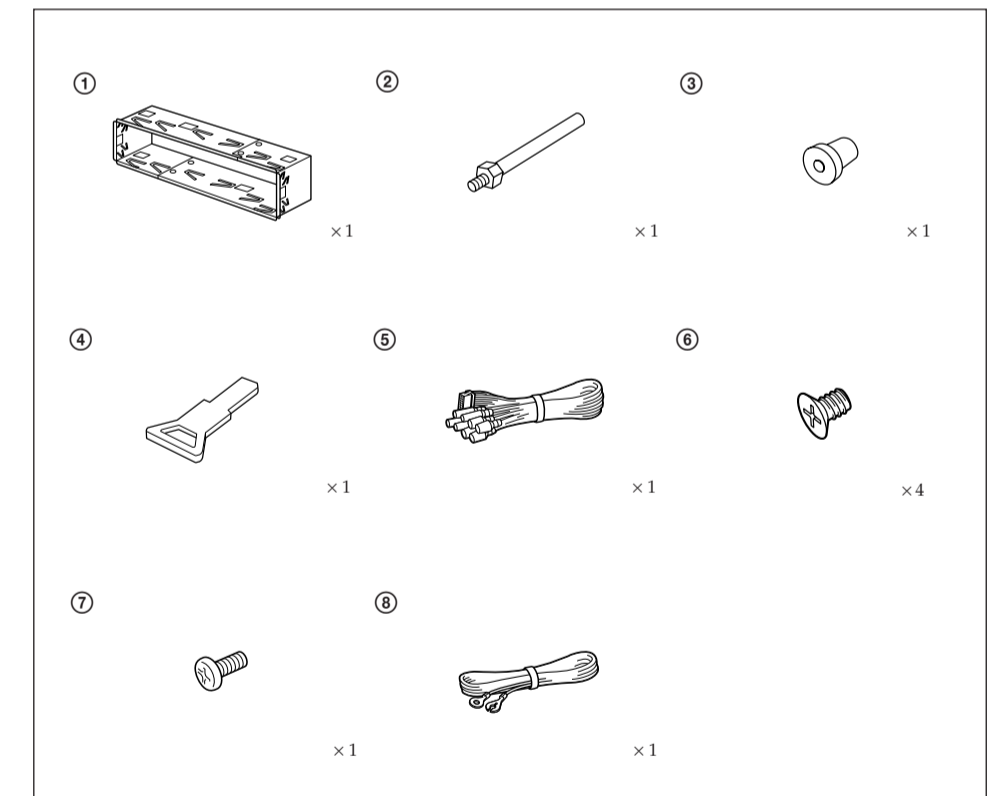


XR-C117

Sony Corporation © 1996 Printed in Indonesia

Parts for Installation and Connections

The numbers in the list are keyed to those in the instructions.



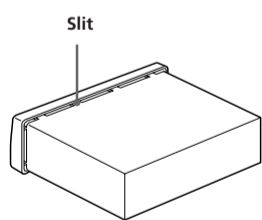
The release key ④ is used for dismantling the unit. See the operating instructions manual for details.

Mounting the Unit in a Japanese Car

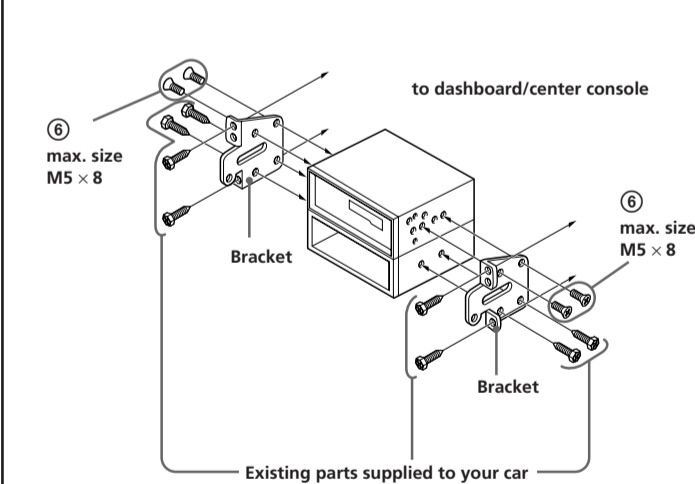
This unit may not be installed in some makes of cars. In this case, consult your nearest Sony dealer.

1

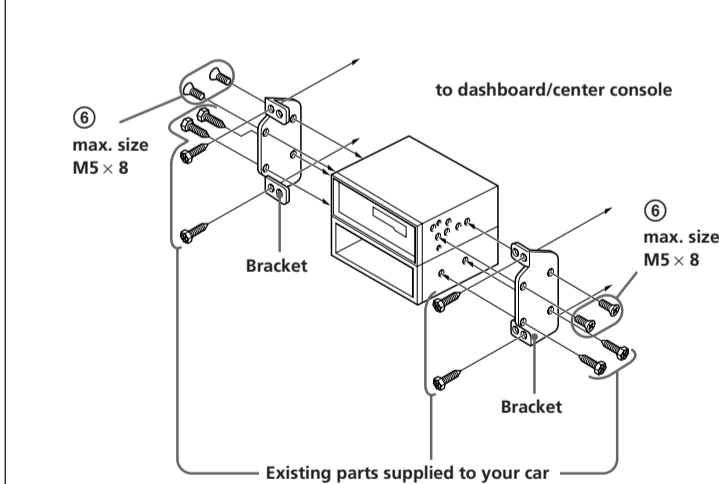
Run a blade along the slits on the back of the front trim and cut it off the unit.



2 TOYOTA

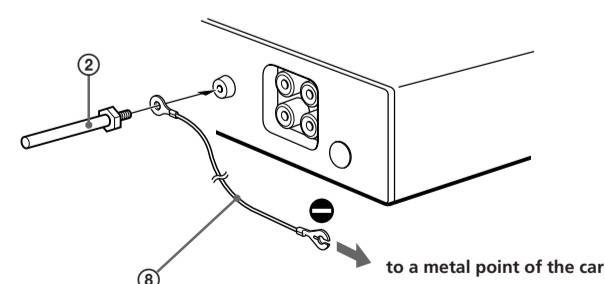


NISSAN



Note for Connecting

If there is alternator noise (a whining sound when raising engine speed), earth the master unit by connecting it to a metal point of the car with the supplied chassis earth cord ⑧. Connect the ground cord to the master unit with part ② as shown in the illustration. (In case you do not use part ②, take screw ⑦ instead.)

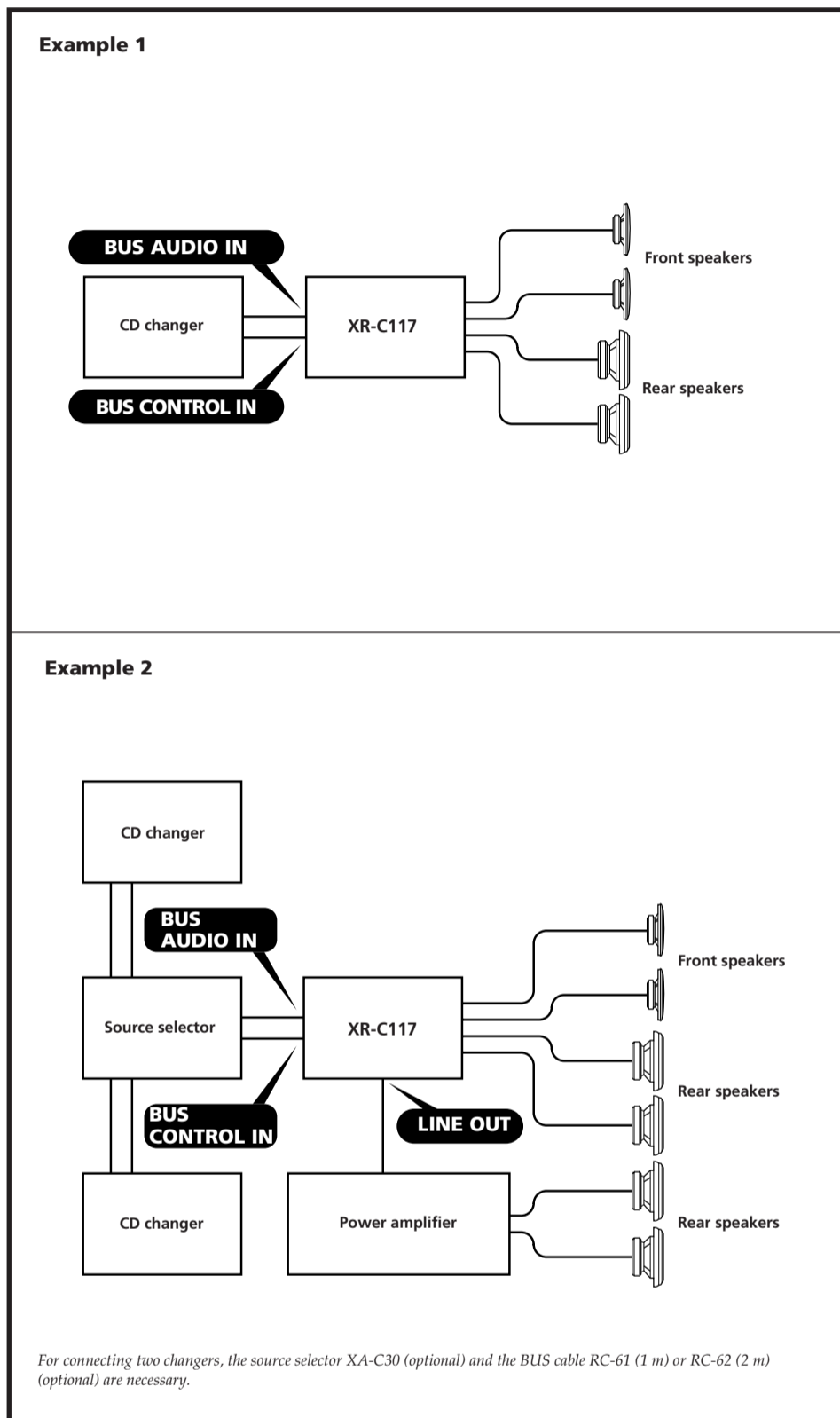


Connections

Caution

- This unit is designed for negative ground 12 V DC operation only.
- Before making connections, disconnect the ground terminal of the car battery to avoid short circuits.
- Connect the **yellow** and **red** power input leads only after all other leads have been connected.
- Be sure to connect the red power input lead to the positive 12 V power terminal which is energized when the ignition key is in the accessory position.
- Run all earth wires to a common earth point.

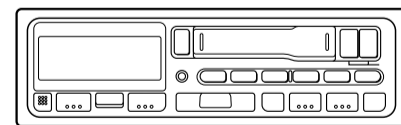
Connection Diagram



Frequency Select Switch

The AM (FM) tuning interval is factory-set to the 9K (50K) position. If the frequency allocation system of your country is based on 10 kHz (200 kHz) interval, set the switch on the bottom of the unit to the 10K (200K) position before making connections.

Change the position with a jeweler's screwdriver, etc.



Connections Example

