

Precautions

- Do not tamper with the four holes on the upper surface of the unit. They are for tuner adjustments to be done only by service technicians.
- Choose the installation location carefully so that the unit will not hamper the driver during driving.
- Avoid installing the unit where it would be subject to high temperatures, such as from direct sunlight or hot air from the heater, or where it would be subject to dust, dirt or excessive vibration.
- Use only the supplied mounting hardware for a safe and secure installation.

Mounting angle adjustment

Adjust the mounting angle to less than 20°.

How to Detach and Attach the Front Panel

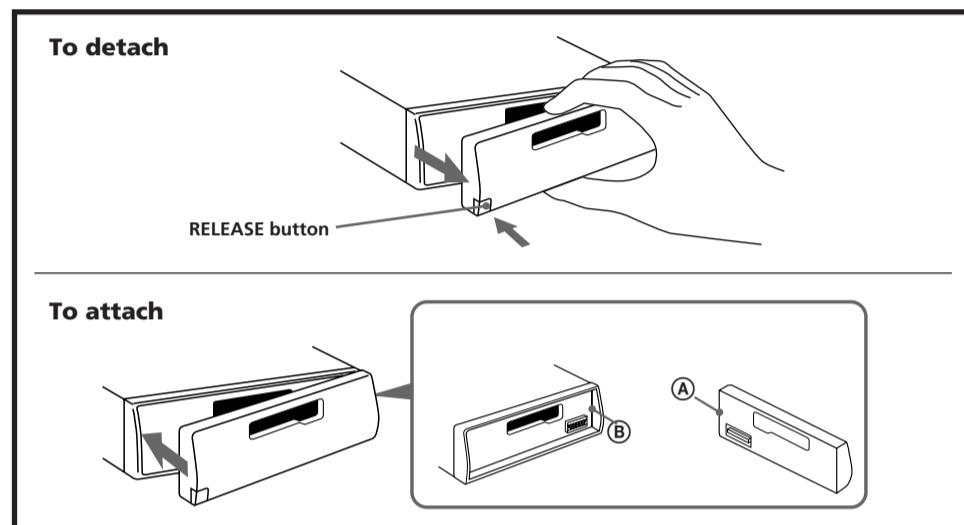
Before installing the unit, detach the front panel.

To detach

Before detaching the front panel, be sure to press the OFF button first. Then press the RELEASE button to open up the front panel, and detach the panel by pulling it towards you as illustrated.

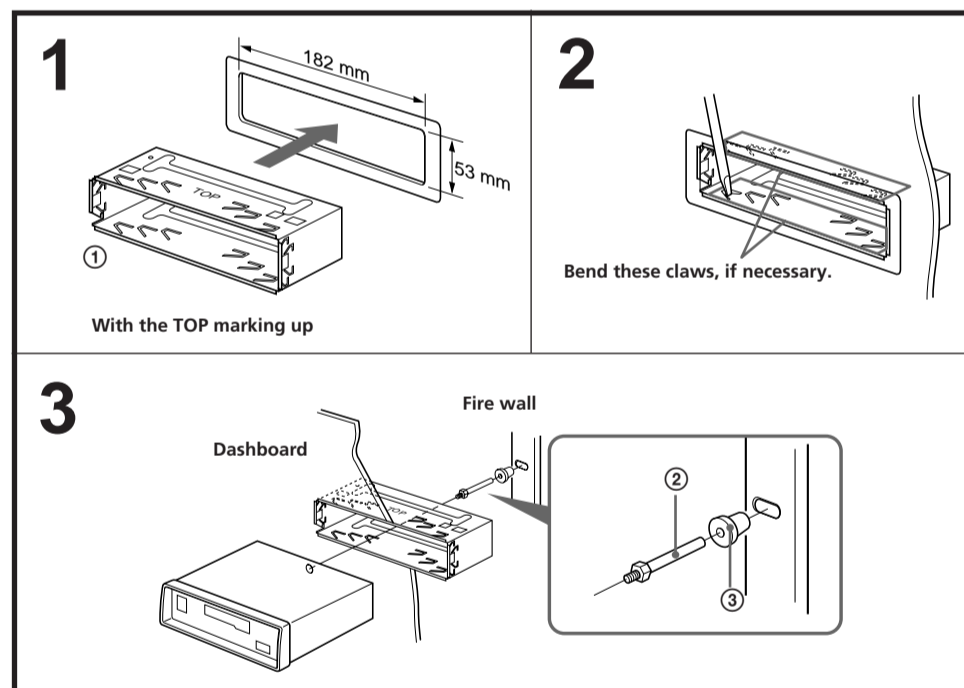
To attach

Align the parts (A) and (B), and push the front panel until it clicks.



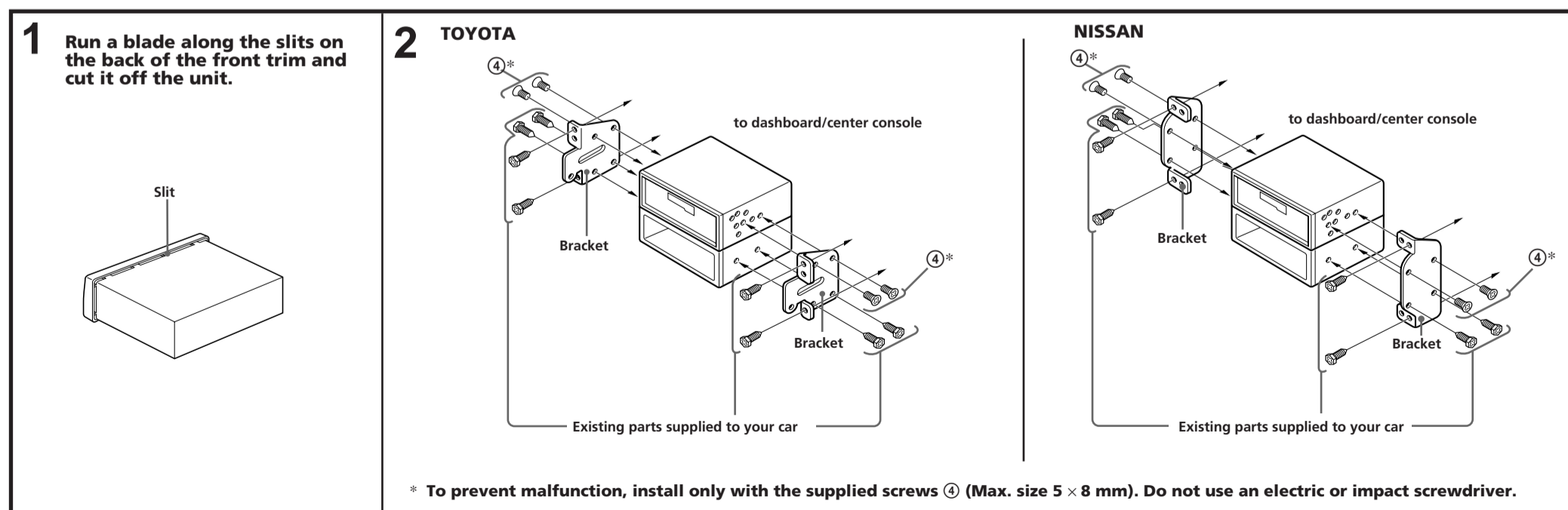
Mounting Example

Installation in the dashboard



Mounting the Unit in a Japanese Car

You may not be able to install this unit in some makes of Japanese cars. In such a case, consult your Sony dealer.



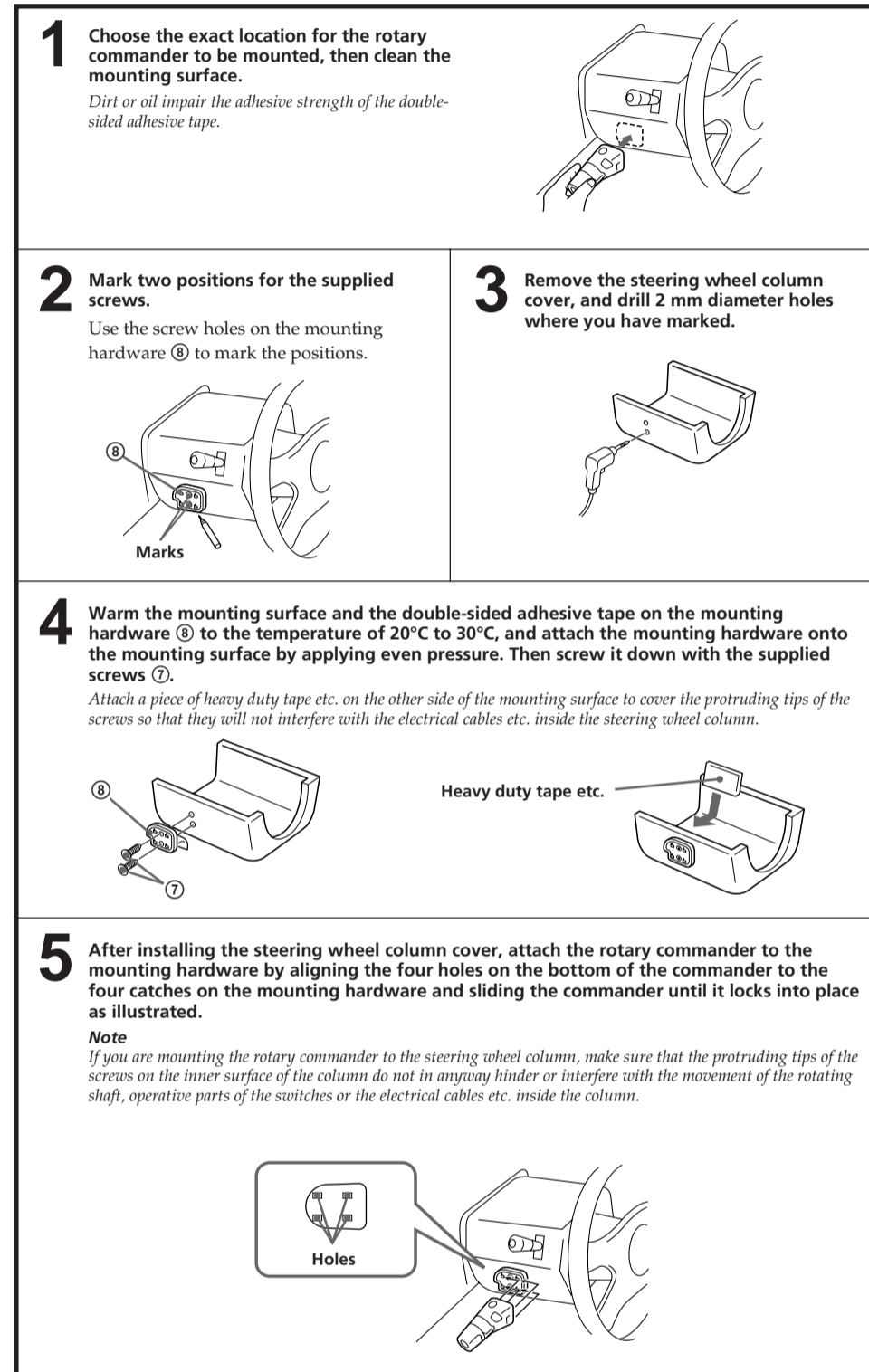
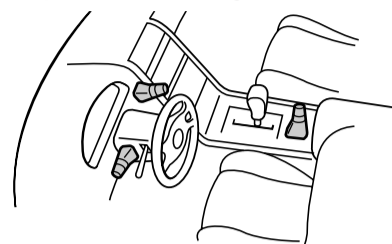
* To prevent malfunction, install only with the supplied screws (4) (Max. size 5 × 8 mm). Do not use an electric or impact screwdriver.

Installing the Rotary commander

Notes

- Choose the mounting location carefully so that the rotary commander will not interfere with operating the car.
- Do not install the rotary commander in a place where it may jeopardize the safety of the (front) passenger in anyway.
- When installing the rotary commander, be sure not to damage the electrical cables etc. on the other side of the mounting surface.
- Avoid installing the rotary commander where it may be subject to high temperatures, such as from direct sunlight or hot air from the heater etc.

Example of a mounting location



FM/MW/SW Cassette Car Stereo

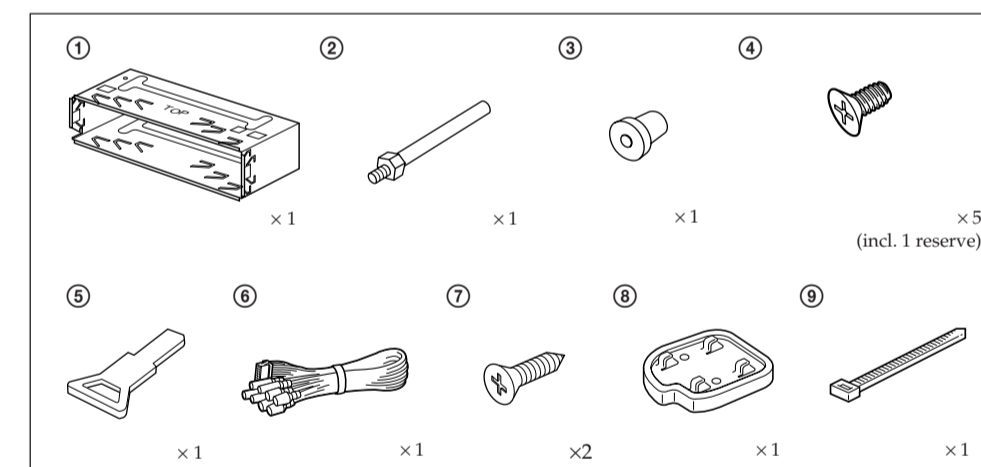
Installation/Connections

XR-C307

Sony Corporation © 1996 Printed in India

Parts for Installation and Connections

The numbers in the list are keyed to those in the instructions. The release key (9) is used for dismounting the unit. See the operating instructions manual for details.



Connections

Caution

- This unit is designed for negative ground 12 V DC operation only.
- Before making connections, disconnect the ground terminal of the car battery to avoid short circuits.
- Connect the **yellow** and **red** power input leads only after all other leads have been connected.
- Be sure to connect the red power input lead to the positive 12 V power terminal which is energized when the ignition key is in the accessory position.
- Run all ground wires to a common ground point.

When the Unit is Used in a Car with No Accessory Position on the Ignition Key

— POWER SELECT Switch

The illumination on the front panel is factory-set to be turned on even when the unit is not being played. However, this setting may cause some car battery wear if the unit is used in a car with no accessory position on the ignition key. To avoid this battery wear when using the unit in such a car, set the POWER SELECT switch located on the bottom of the unit to the ③ position, then press the reset button. The illumination is reset to stay off while the unit is not being played.

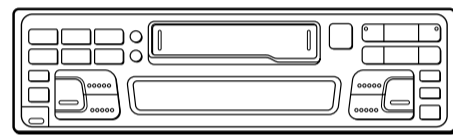
Note

The caution alarm for the front panel is not activated when the POWER SELECT switch is set to the ③ position.

Frequency Select Switch

The MW (FM) tuning interval is factory-set to the 9K (50 K) position. If the frequency allocation system of your country is based on 10 kHz (200 kHz) interval, set the switch on the bottom of the unit to the 10 K (200 K) position before making connections.

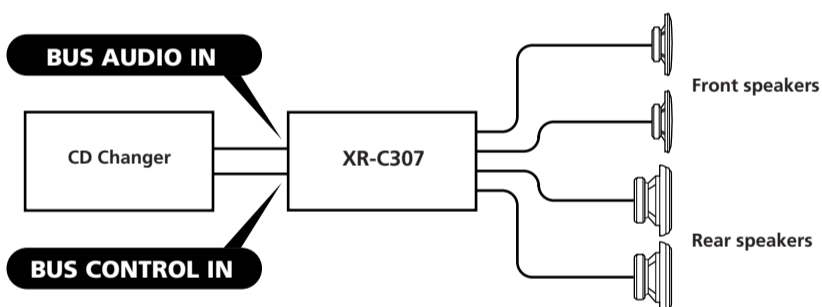
Change the position with a jeweler's screwdriver, etc.



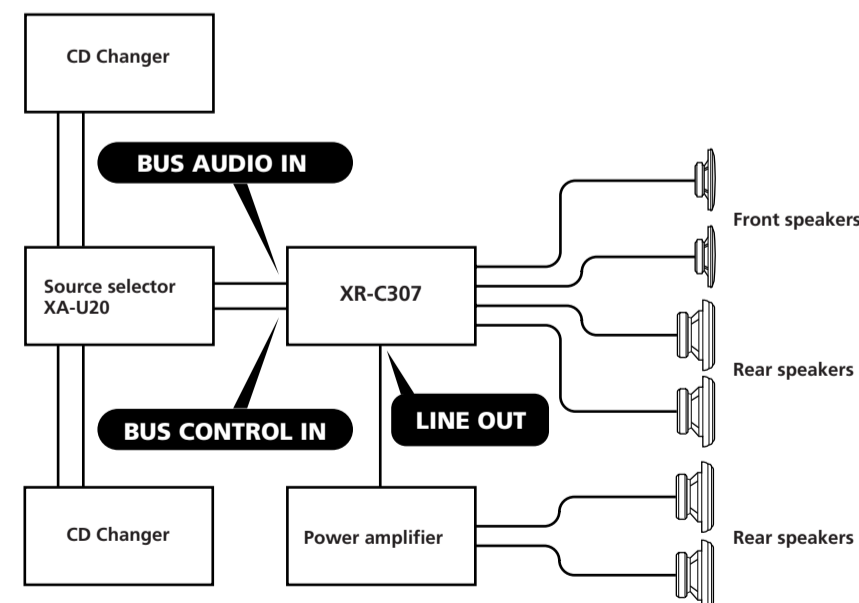
When you change the position of the switch, be sure to press the reset button after the connections are completed.

Connection Diagram

Example 1



Example 2



Connection Example

