

SONY

3-856-100-25 (1)

FM Stereo/AM PLL Synthesized Radio

Operating Instructions



WALKMAN is a registered trademark of Sony Corporation

Sony Corporation © 1996 Printed in Taiwan, R.O.C.

WARNING

You are cautioned that any changes or modifications not expressly approved in this manual could void your authority to operate this equipment

INFORMATION

This equipment has been tested and found to comply with the limits for a Class B digital device, pursuant to Part 15 of the FCC Rules. These limits are designed to provide reasonable protection against harmful interference in a residential installation. This equipment generates, uses, and can radiate radio frequency energy and, if not installed and used in accordance with the instructions, may cause harmful interference to radio communications.

However, there is no guarantee that interference will not occur in a particular installation. If this equipment does cause harmful interference to radio or television receprion, which can be dermined by turning the equipment off and on, the user is encouraged to try to correct the interference by one or more of the following measures:

- Reorient or relocate the receiving antenna.
- Increase the separation between the equipment and receiver.
- Connect the equipment into an outlet on a circuit different from that to which the receiver is connected.
- Consult the dealer or an experienced radio/TV technician for help.

Before You Begin

Thank you for choosing the Sony radio! It will give you many hours of reliable service and listening pleasure. Before operating the radio, please read these instructions thoroughly and retain them for future reference.

Features

- FM stereo/AM PLL (Phase Locked Loop) synthesized radio.
- Up to 10 stations (5 for each band FM or AM) can be stored for button-touch tuning - memory preset tuning.
- Easy attachable wraparound arm band.
- Water-resistant for all-weather use.

Notes on AM Channel Step

The AM channel step differs depending on the area. The Channel step of this unit is factory-set to 10 kHz.

Area	Channel step
North and South American countries	10 kHz
Other countries	9 kHz

Precautions

- Operate the unit only on 3 V DC with two size AAA (R03) batteries.
- The name plate indicating operating voltage, etc. is located at the rear.
- Avoid exposure to temperature extremes, direct sunlight, moisture, sand, dust, or mechanical shock. Never leave in a car parked in the sun.
- Should anything fall into the unit, remove the batteries, and have the unit checked by qualified personnel before operating it any further.
- To clean the casing, use a soft cloth dampened with a mild detergent solution.
- In vehicles or buildings, radio reception may be difficult or noisy. Try listening near a window.

Notes on Headphones

Road safety

Do not use headphones while driving, cycling, or operating any motorized vehicle. It may create a traffic hazard and is illegal in many areas. It can also be potentially dangerous to play your headphones at high volume while walking, especially at pedestrian crossings. You should exercise extreme caution or discontinue use in potentially hazardous situations.

Preventing hearing damage

Avoid using headphones at high volume. Hearing experts advise against continuous, loud and extended play. If you experience a ringing in your ears, reduce volume or discontinue use.

Caring for others

Keep the volume at a moderate level. This will allow you to hear outside sounds and to be considerate to people around you.

Warning

If there is lightning when you are using the unit, take off the headphones immediately.

Do not Immerse in Water

This product is designed to be water-resistant, but should not be immersed in water or come in continuous contact with water.

- Before installing the batteries, be sure to wipe off drops of water on the unit.
- The supplied headphones are not meant to be immersed in water or come in continuous contact with water, if they get wet, dry them with a soft cloth. Never use an electric hair dryer while wearing the headphones.

If you have any questions or problems concerning your unit, please consult your nearest Sony dealer.

Specifications

Time display: 12-hour system

Frequency range:

Frequency	Channel step
FM : 87.5 - 108 MHz AM: 530 - 1710 kHz	0.1 MHz 10 kHz
FM : 87.5 - 108 MHz AM: 531 - 1710 kHz	0.05 MHz* 9 kHz

* The frequency display is raised or lowered by steps of 0.1 MHz. (Example: Frequency 88.05 MHz is displayed as "88.0 MHz".)

Output:

⌚ jack (stereo minijack)

Power output:

15 mW + 15 mW (at 10 % harmonic distortion)

Power requirements:

3 V DC, two size AAA (R03) batteries

Battery life:

Using Sony batteries UM4(NU)

FM : Approx. 13 hours

AM: Approx. 20 hours

Dimensions:

Approx. 105 x 68 x 38.6 mm (w/h/d)
(4 1/8 x 2 3/4 x 1 1/2 inches) excl. projecting parts and controls

Mass:

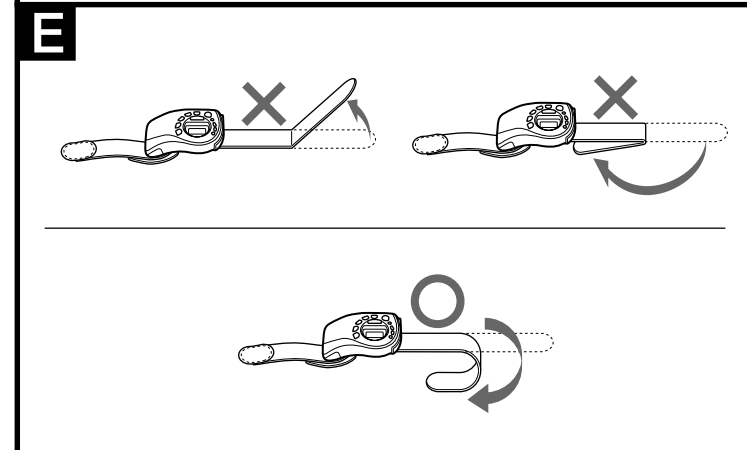
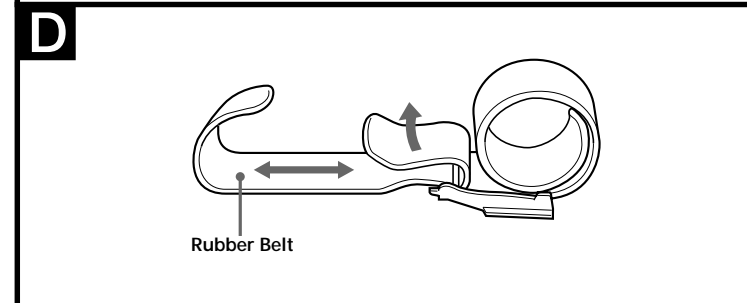
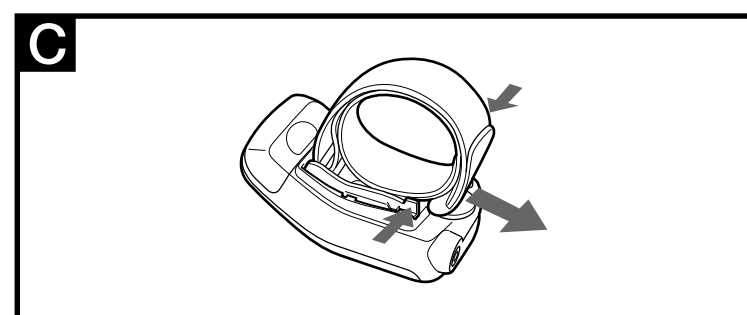
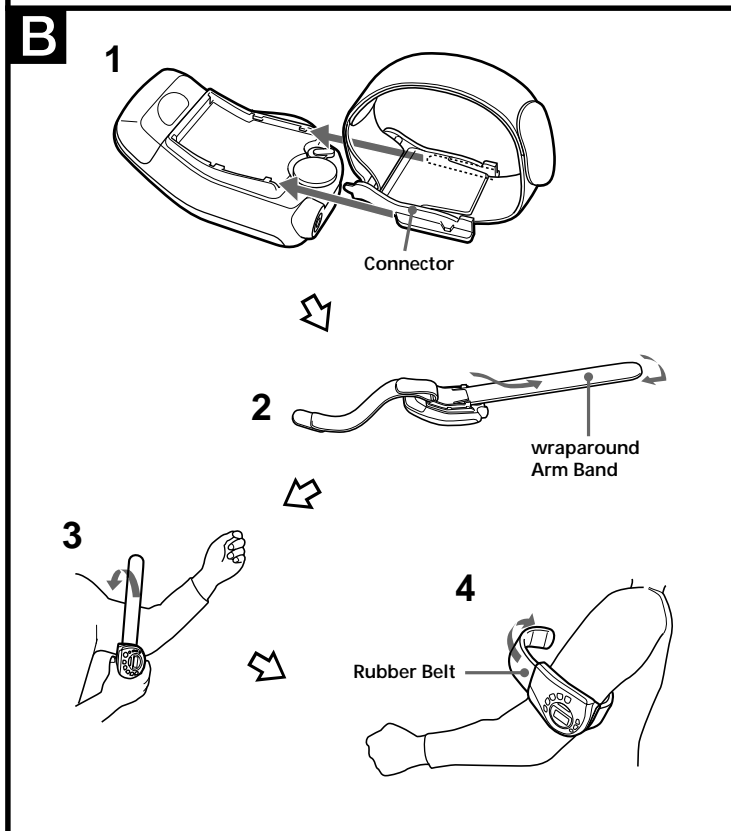
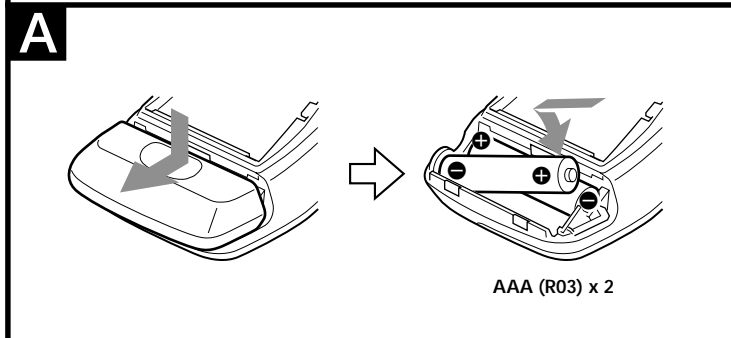
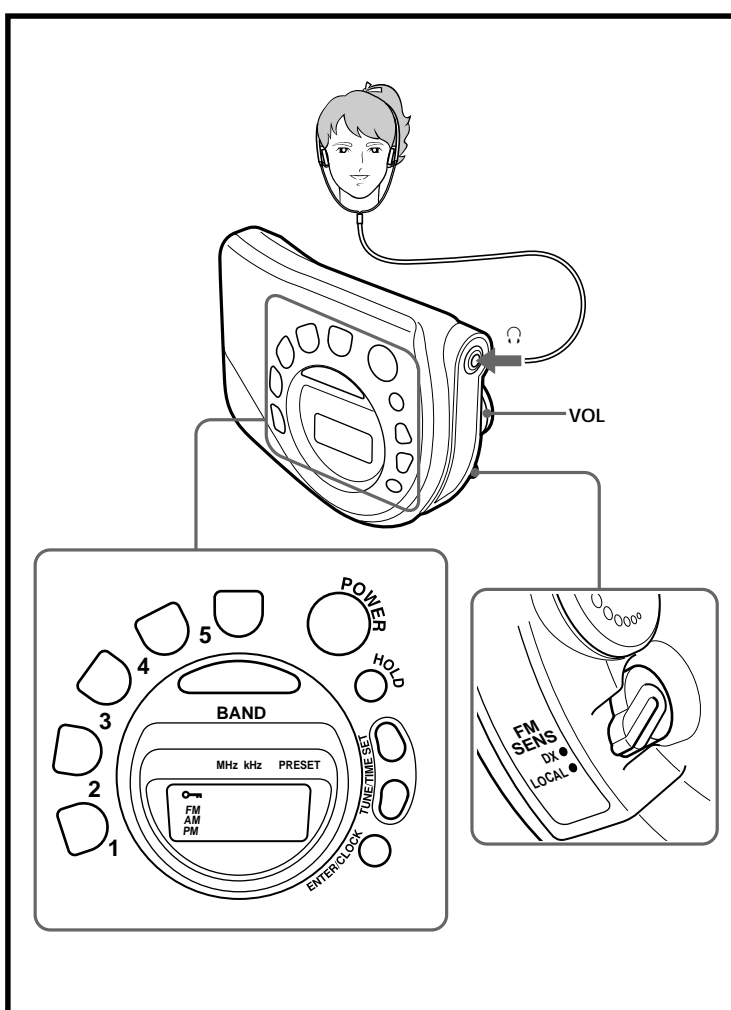
Approx. 85 g (3 oz) not incl. batteries

Accessories supplied:

Stereo headphones (1, vertical-in-the-ear type)

Arm band (1)

Design and specifications are subject to change without notice.



Installing Batteries

- 1 Install two size AAA (R03) batteries (not supplied) with correct polarity. (See fig. A.)
- When you install batteries for the first time, the display will flash "AM 12:00". To stop flashing, press ENTER/CLOCK.
 - For battery life, see "Specifications".

Knowing When to Replace the Battery

- When the batteries become weak, the sound becomes weak or distorted. When the batteries are completely exhausted, the power is turned off and "000" in the display flashes. When the power is turned on with the indication flashing, the power will be turned off right away. When "000" starts flashing, replace both batteries with new ones.
- Replace the batteries within about 40 seconds after removing the batteries. If you do not replace them within 40 seconds, the preset stations may be erased, the clock setting may be cleared and "AM 12:00" flashes in the display.
- When the batteries are removed for a long time, preset stations will be erased and "AM 12:00" is displayed. Store stations and set the clock again.

Note

When the unit is not to be used for a long period of time, remove the batteries to avoid damage caused by battery leakage and corrosion.

Setting the Clock

Set the clock when the radio is turned off.

- 1 When you insert batteries for the first time, digits flash in the display. To stop flashing, press ENTER/CLOCK.
- 2 While holding down ENTER/CLOCK, press either TUNE/TIME SET + or - till the correct time appears in the display. When you release ENTER/CLOCK, the clock begins to operate and ":" flashes.

- Each press of TUNE/TIME SET + or - advances or returns the displayed time by one minute.
- To set the current time rapidly, keep pressing TUNE/TIME SET + or - while holding down ENTER/CLOCK.

Changing AM Channel Step

The channel step of this unit is factory-set to 10 kHz to match the frequency allocation system of the country as listed. You can change the channel step.

Area	Channel step
North and South American countries	10 kHz
Other countries	9 kHz

- 1 Change the AM channel step when the radio is turned off.
 - 2 While holding down ENTER/CLOCK, keep pressing POWER for more than 5 seconds. The AM channel step will be changed. If you proceed step 2 again, the channel step changes again.
- When the AM channel step is changed, the preset stations will be erased, the clock setting will be cleared and "AM 12:00" flashes in the display.

Playing the Radio

Manual Tuning

- 1 Connect the supplied headphones to the (headphones) jack.
 - 2 Press POWER to turn the radio on.
 - 3 Press BAND to select the band. Each press changes the band FM/AM alternately.
 - 4 Tune in a station by pressing either TUNE/TIME SET + or -.
 - 5 Adjust VOL (volume).
- To turn off the radio, press POWER.

To improve radio reception

- FM: Extend the headphones cord so that the FM sensitivity will be increased, as it serves as the FM antenna.
- AM: Rotate the unit horizontally for optimum reception. A ferrite bar antenna is built into the unit.

On FM SENS DX/LOCAL selector (for FM reception)

- DX: Normally set it to this position.
- LOCAL: If a very strong station signal causes noise, set it to this position. The reception will be more stable and noise will be reduced.

To prevent accidental change of the receiving station

Press HOLD. "0" is displayed, indicating that all the functions of the buttons are locked. To release the key protection, press HOLD again.

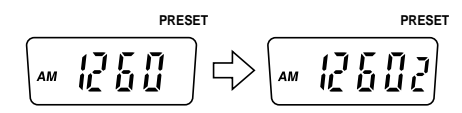
Preset Tuning

Once you preset the desired stations, you can tune them in by a simple operation. You can preset up to 5 stations for each of the FM and AM bands.

Presetting the Station

Example: To set AM 1260 kHz in preset button 2.

- 1 Preset POWER to turn the radio on.
- 2 Tune in the station to preset. (See "Manual Tuning".)
- 3 While holding down ENTER/CLOCK, press the appropriate preset button 2. The station will be stored and the preset number will appear in the display.



- To change the preset station, set a new station's frequency in the number whose station you want to change. The previous frequency is canceled.

Tuning in a Preset Station

- 1 Press POWER to turn the radio on.
- 2 Select the desired band by pressing BAND.
- 3 Press the desired preset number button. The preset number will appear in the display.
- 4 Adjust VOL (volume).

Using the Arm Band (See fig. B)

- 1 Hold both edges of the connector and slide the connector onto the unit until you hear a click.
- 2 Unwind and straighten the wraparound band. To more easily straighten the band, slightly bend the tip of the band in the opposite direction.
- 3 Hold the body of the unit and attach the straightened band to your arm. The band will wind by itself.
- 4 Tighten the band with the rubber belt.

To remove the arm band from the unit (See fig. C)

Hold both edges of the connector and slide the connector.

To vary the length of the rubber belt to fit your arm (See fig. D)

Move the velcro fastener to the proper position.

If the rubber belt and wraparound band becomes dirty

Remove the rubber belt from the unit and clean them.

Caution (See fig. E)

- Avoid bending the wraparound band forcibly in the opposite direction. It may break.
- The straightened band will wind easily when you touch or wiggle it. Be sure to treat it carefully.