

SONY

3-810-651-12(1)

Cordless Stereo Headphones System

Operating Instructions
Mode d'emploi
Manual de instrucciones

MDR-IF120K

Sony Corporation © 1995 Printed in Korea

English

WARNING

To prevent fire or shock hazard, do not expose the unit to rain or moisture.

To avoid electrical shock, do not open the cabinet. Refer servicing to qualified personnel only.

WARNING

You are cautioned that any changes or modifications not expressly approved in this manual could void your authority to operate this equipment.

Owner's Record

The model number is located on the top of the transmitter and the inner side of the headband. The serial number is located at the bottom of the transmitter and inside the battery compartment of the headband. Record these numbers in the spaces provided below. Refer to them whenever you call upon your Sony dealer regarding this product.

Model No. MDR-IF120K
Transmitter TMR-IF120
Headphones MDR-IF120
Serial No. _____
Transmitter _____
Headphones _____

Welcome!

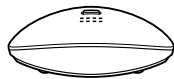
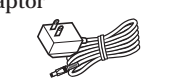


Thank you for purchasing the Sony MDR-IF120K Cordless Stereo Headphones System. Before operating the unit, please read this manual thoroughly and retain it for future reference.

Some features are:

- Cordless system that allows you to listen to a program free from the restriction of a cord.
- Broad horizontal listening area that gives you superb sound virtually anywhere in the room.
- Self-adjusting headband for fitting your head perfectly.
- The VOL control adjusts the volume level of both channels.

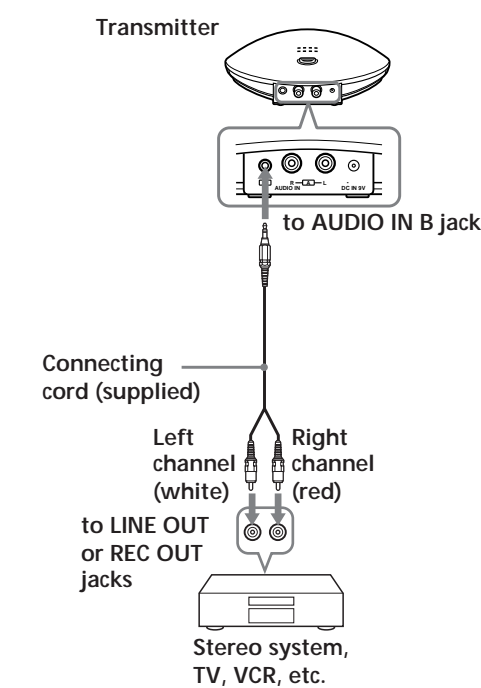
Unpacking

Check that you have the following items:

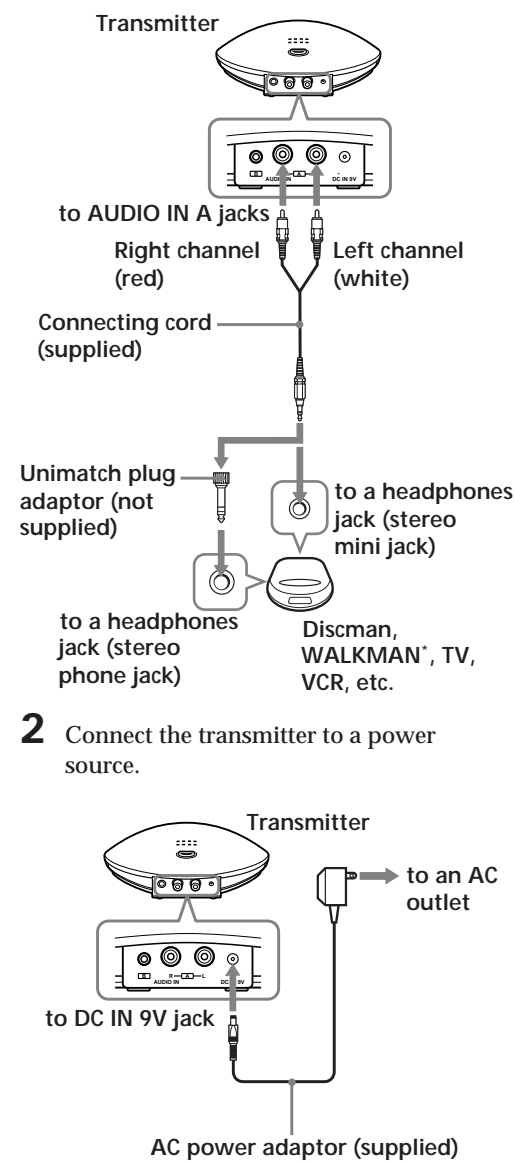
- Transmitter 
- AC power adaptor 
- Connecting cord (phono plugs ~ stereo mini plug) 
- Headphones 

Setting up the transmitter

- 1 Connect the transmitter to audio/video equipment. Select one of the hookups below depending on the jack type:
 - a To connect to LINE OUT or REC OUT jacks



- b To connect to a headphones jack



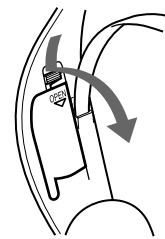
- Do not connect to the AUDIO IN A jacks and B jack at the same time. If you do so, the audio signals may be mixed.
- Use only the supplied AC power adaptor. Do not use any other AC power adaptor.

Polarity of the plug 

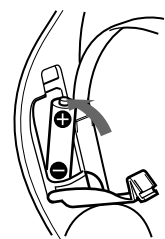
- If the plug of the AC power adaptor does not fit in the AC outlet, use the supplied AC plug adaptor.
- When you connect the connecting cord directly to an earphone jack, the audio signal will not be output through the right channel. In such a case, use the separately sold PC-236HG plug adaptor.
- WALKMAN is a registered trademark of Sony Corporation.

Setting up the headphones

- 1 Open the battery compartment lid on the left inner side of the headband.



- 2 Insert one R6 (size AA) battery by matching the + and - on the battery to the + and - in the battery compartment.



- 3 Close the battery compartment lid.

Battery life

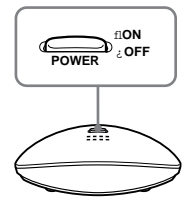
Battery	Approx. hours
Sony alkaline battery LR6/AM3 (N)	100
Sony battery R6P/SUM-3 (NS)	50

When to replace the battery

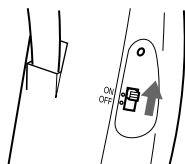
Replace the battery with new one when the POWER indicator dims, and a hissing noise increases.

Listening to a program

- 1 Turn on the audio/video equipment connected to the transmitter.
- 2 Turn on the transmitter. The infrared emitters light up.



- 3 Turn on the power of the headphones. The power indicator lights in red.



- 4 Put on the headphones.



- 5 Adjust the volume.



Mute function

If a hissing noise is heard when the infrared rays are obstructed, or the headphones are used outside of the effective range (see the next section), the mute function will be activated and the sound will not be heard from the headphones. To restore the sound, move nearer toward the transmitter or remove the obstruction.

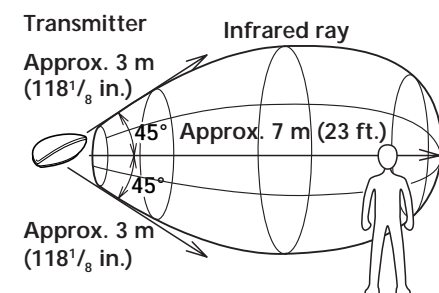
After listening to a program

Take the headphones off before turning off the headphones and the transmitter. Otherwise you may hear some noise when the infrared rays are suddenly cut off.

Note
The infrared emitters light up when the transmitter is turned on. The brightness of the emitters may not be uniform, however, this is not a malfunction.

The effective areas of the transmitter

The illustration below shows the approximate area covered by the infrared rays emitted from the transmitter.



Notes

- If you use the headphones at too great a distance from the transmitter, you may hear a hissing noise and if there is an object between the receiver and the transmitter, the sound may be interrupted. These phenomena are inherent to infrared ray communication and do not mean that there is a problem with the unit itself.
- The infrared rays will not penetrate walls or opaque glass, therefore, be sure to stay within sight of the transmitter.
- When you use the headphones inside the area illustrated in the diagrams, the transmitter can be placed in the front, behind or by the side of the listener.

Precautions

- Before operating the system, check that the operating voltage of your system is identical with the voltage of your local power supply.
- The CE mark on the unit is valid only for products marketed in the European Union.
- When the headphones is not to be used for a long period of time, remove the battery to avoid damage caused by battery leakage and subsequent corrosion.
- When the transmitter is not to be used for a long period of time, disconnect the AC power adaptor from the AC outlet holding the plug. Do not pull on the cord.
- Do not leave the cordless stereo headphones system in a location subject to direct sunlight, heat or moisture.

Notes on headphones

Preventing hearing damage
Avoid using headphones at high volume. Hearing experts advise against continuous, loud and extended play. If you experience a ringing in your ears, reduce the volume or discontinue use.

Caring for others

Keep the volume at a moderate level. This will allow you to hear outside sounds and to be considerate to the people around you.

If you have any questions or problems concerning the system that are not covered in this manual, please consult the nearest Sony dealer.

Be sure to bring the headphones and the transmitter to the Sony dealer when requiring repair work.

Troubleshooting

No sound/Muffled sound

- / Turn on the transmitter and the headphones first, then put on the headphones.
- / Check the connection of the audio/video equipment or the AC power adaptor.
- / Check that the audio/video equipment is turned on.
- / Turn up the volume on the connected audio/video equipment, if the transmitter is connected to the headphones jack. (Around level 5 or 6 on the volume control should be appropriate.)
- / The mute function is activated.
 - Check if there is any object between the transmitter and the headphones.
 - Use the headphones near the transmitter.
 - Change the position and angle of the transmitter.
- / Replace the battery of the headphones.

Distortion

- / If the transmitter is connected to the headphones jack, turn down the volume of the connected audio/video equipment. (Around level 5 or 6 on the volume control should be appropriate.)
- / Replace the battery of the headphones.

Loud background noise

- / Move closer to the transmitter. As you move away from the transmitter, more noise is likely to be heard. This is inherent to infrared ray communication and does not mean that there is a problem with the unit itself.
- / Check that there is no object between the transmitter and the headphones.
- / Check that the infrared sensors are not covered with your hands or hair.
- / Change the position or angle of the transmitter.
 - The headphones are used by a window where the sunlight is too strong.
 - n Draw the curtains/blind to shut out the direct sunlight, or use the headphones away from the sunlight.
- / If the transmitter is connected to the headphones jack, turn up the volume of the connected audio/video equipment. (Around level 5 or 6 on the volume control should be appropriate.)
- / Replace the battery of the headphones.

Specifications

General

Modulation system	Frequency modulation
Carrier frequency	Right 2.8 MHz Left 2.3 MHz
Frequency response	18 - 22,000 Hz

Transmitter

Power source	DC IN 9V jack accepts power supplied from the AC power adaptor for use on the following voltages:
--------------	---

Where purchased	Operating voltage
U.S.A./Canada	120 V AC, 60 Hz
U.K.	230 - 240 V AC, 50 Hz
European countries	220 - 230V AC, 50 Hz
Other countries	220 - 230 V AC, 50/60 Hz or 120 V AC, 60 Hz
Japan (Except for Japanese domestic model)	220 - 230 V AC, 50 Hz

Audio input	Phono jacks/stereo mini jack
Dimensions	Approx. 152 × 40 × 72 mm (6 × 1 1/2 × 2 3/4 in.) (w/h/d)
Mass	Approx. 80 g (2.8 oz.)

Headphones

Power source	DC 1.5 V, 1 × R6 (size AA) battery
Mass	Approx. 125 g (4.5 oz.) including battery

Optional accessories

Plug adaptor
PC-236HG (stereo mini jack ~ monoaural mini plug)
PC-234HG (stereo mini jack ~ stereo phone plug)
Connecting cords

RK-C510HG/RK-C515HG/RK-C520HG (phono plug × 2 ~ phono plug × 2)
RK-G136HG (stereo mini plug ~ stereo mini plug)
RK-G129HG (stereo mini plug ~ phono plug × 2)

Design and specifications are subject to change without notice.

Français

AVERTISSEMENT

Afin d'éviter tout risque d'incendie ou d'électrocution, ne pas exposer cet appareil à la pluie ou à l'humidité.

Afin d'écarter tout risque d'électrocution, garder le coffret fermé. Ne confier l'entretien de l'appareil qu'à un personnel qualifié.

AVERTISSEMENT

Avant la mise en service de cet appareil, prière de lire attentivement ce mode d'emploi que l'on conservera pour toute référence ultérieure.

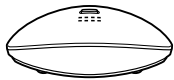
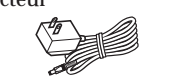
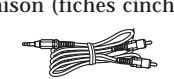

Bienvenue!

Nous vous félicitons pour l'achat de ce système de casque stéréo infrarouge Sony MDR-IF120K. Avant la mise en service de cet appareil, prière de lire attentivement ce mode d'emploi et de le conserver pour toute référence ultérieure. Cet appareil offre, entre autres, les fonctions suivantes:

- Ce système de casque infrarouge vous permet d'écouter un programme sans être gêné par un cordon.
- Portée horizontale étendue assurant un son superbe pratiquement n'importe où dans la pièce.
- Serre-tête auto-réglable s'adaptant parfaitement à la forme de la tête.
- La commande VOL permet de régler le volume des deux canaux.

Déballage

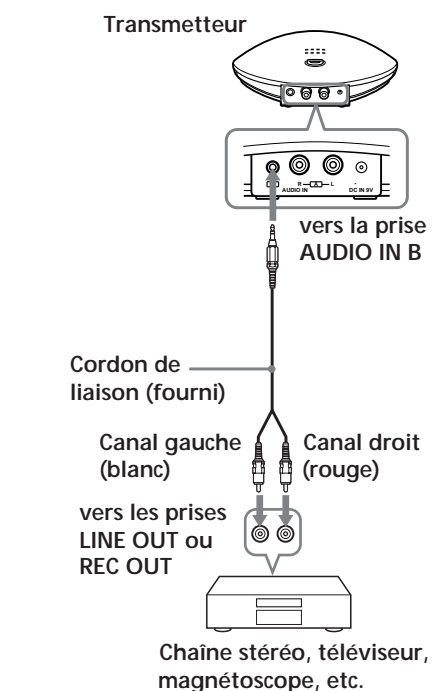
Vérifiez que tous les éléments suivants se trouvent dans l'emballage:

- Transmetteur 
- Adaptateur secteur 
- Cordon de liaison (fiches cinch ~ minifiche stéréo) 
- Casque 

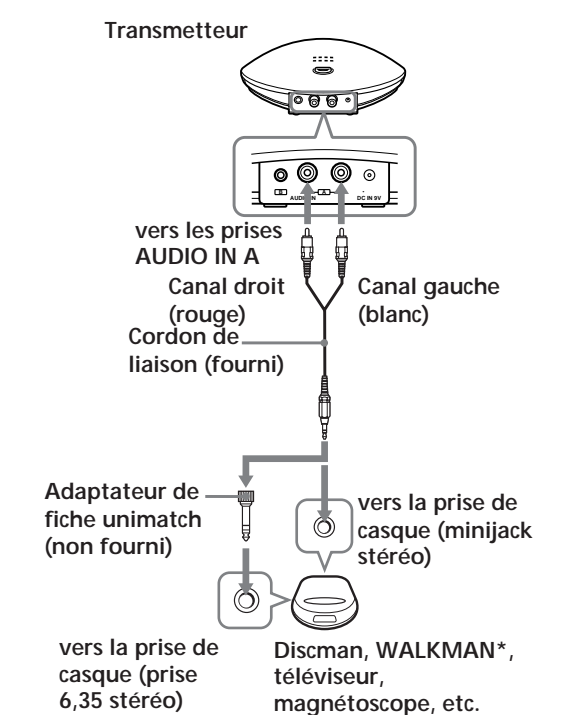
Raccordement du transmetteur

- 1 Raccordez le transmetteur à l'appareil audio/vidéo. Suivant le type de prise, choisissez un des raccords suivants:

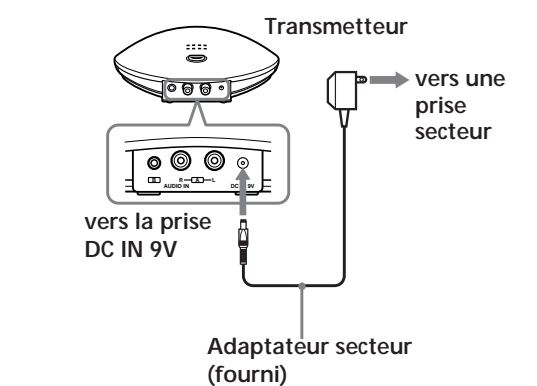
- a Raccordement aux prises LINE OUT ou REC OUT



- b Raccordement à une prise de casque



- 2 Branchez le transmetteur sur une source d'alimentation.



Remarques

- Ne raccordez pas les prises AUDIO IN A et la prise B en même temps, car les signaux audio seraient mélangés.
- Utilisez uniquement l'adaptateur secteur fourni à l'exclusion de tout autre.

Polarité de la fiche 

- Si la fiche de l'adaptateur secteur ne rentre pas dans la prise, utilisez l'adaptateur de fiche secteur fourni.
- Quand vous raccordez directement le cordon de liaison à une prise de casque, le signal audio ne sort pas du canal droit. Dans ce cas, utilisez l'adaptateur de fiche vendu séparément PC-236HG.

* WALKMAN est une marque déposée de Sony Corporation.

(Tourner la page m)

