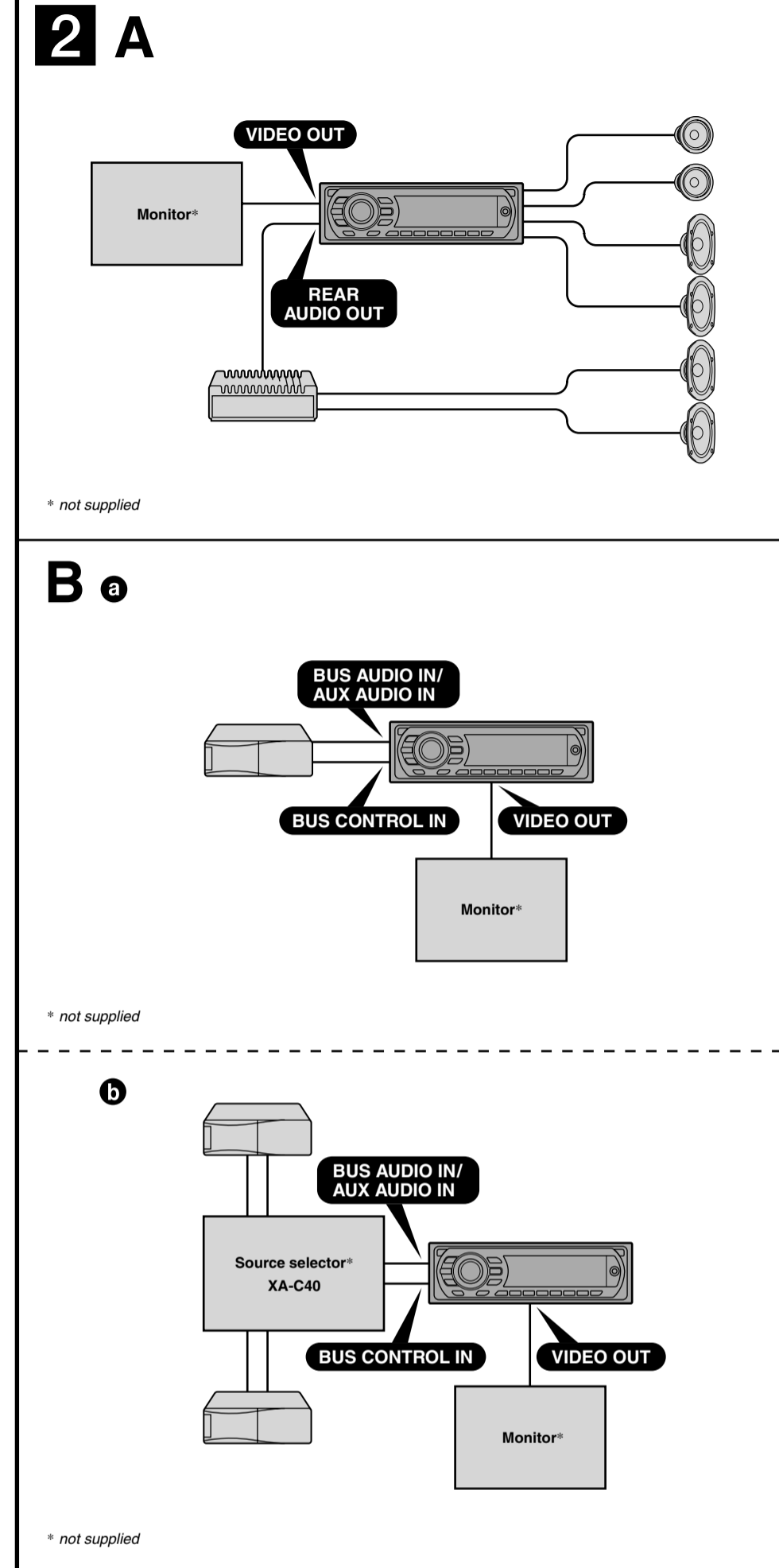
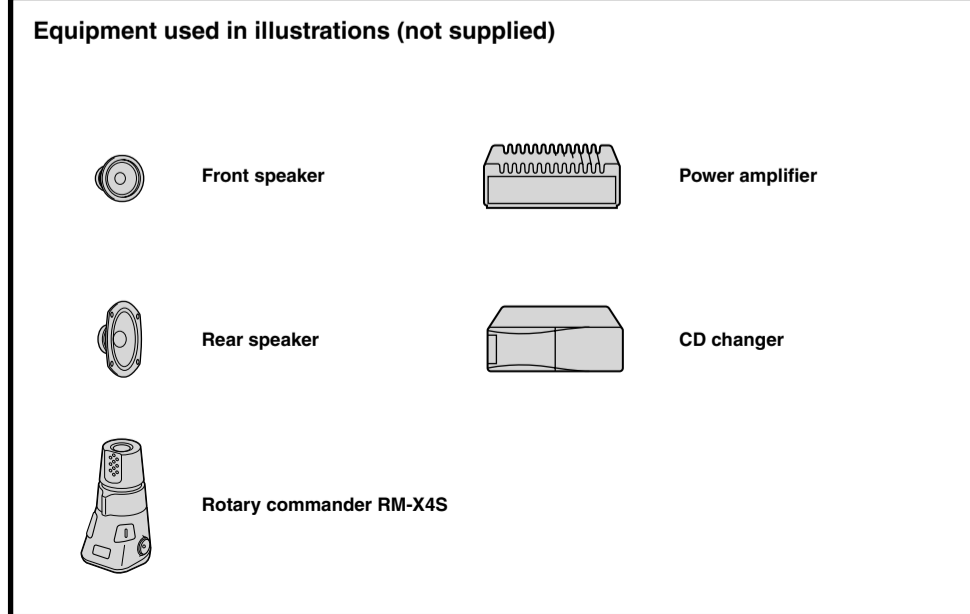
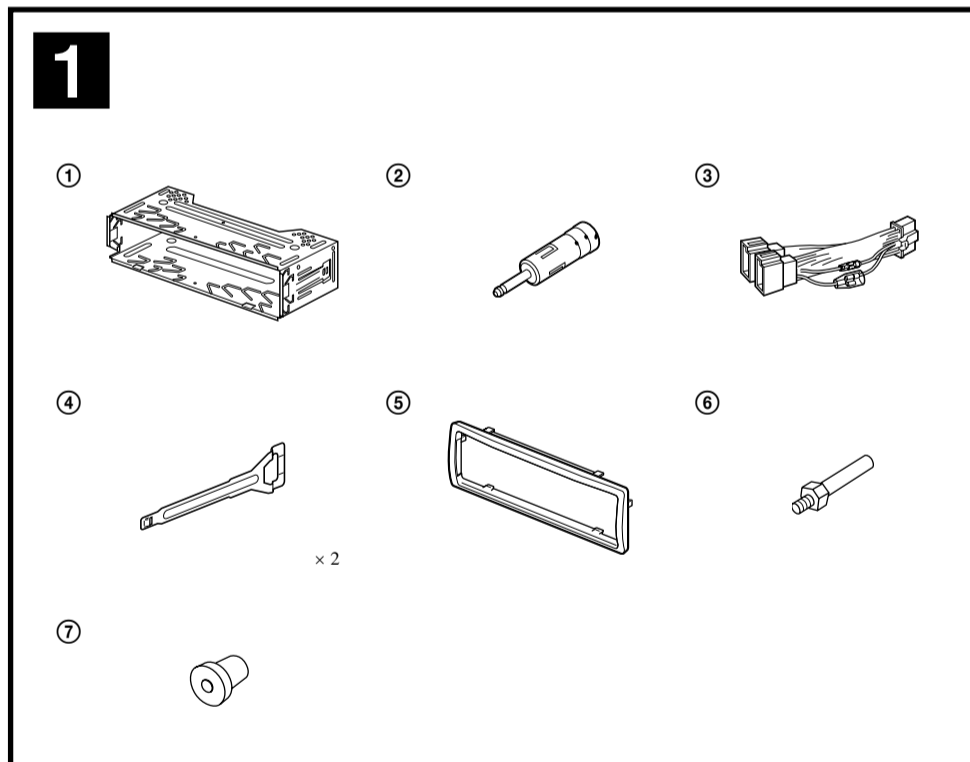


# Multi Disc Player

Installation/Connections

## MEX-DV1100

© 2007 Sony Corporation Printed in Thailand



**Cautions**

- This unit is designed for negative ground (earth) 12 V DC operation only.
- Do not get the leads under a screw, or caught in moving parts (e.g. seat railing).
- Before making connections, turn the car ignition off to avoid short circuits.
- Connect the power supply lead ③ to the unit and speakers before connecting it to the auxiliary power connector.
- Run all ground (earth) leads to a common ground (earth) point.
- Be sure to insulate any loose unconnected leads with electrical tape for safety.

**Notes on the power supply lead (yellow)**

- When connecting this unit in combination with other stereo components, the connected car circuit's rating must be higher than the sum of each component's fuse.
- When no car circuits are rated high enough, connect the unit directly to the battery.

**Parts list 1**

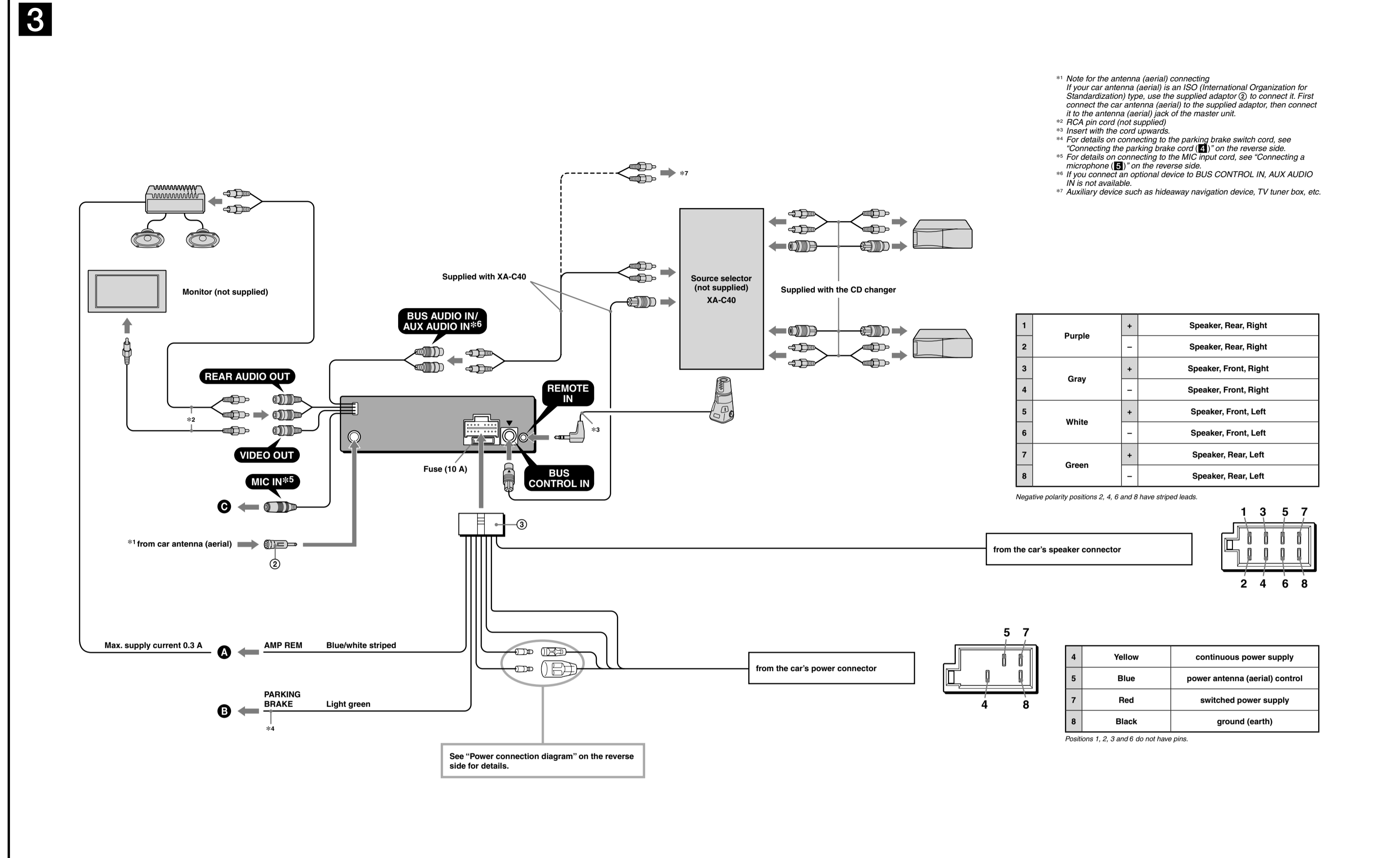
- The numbers in the list are keyed to those in the instructions.
- The bracket ① and the protection collar ⑦ are attached to the unit before shipping. Before mounting the unit, use the release keys ④ to remove the bracket ① and the protection collar ⑦ from the unit. For details, see "Removing the protection collar and the bracket (⑦)" on the reverse side of the sheet.
- Keep the release keys ④ for future use as they are also necessary if you remove the unit from your car.

**Caution**

Handle the bracket ① carefully to avoid injuring your fingers.

**Note**

Before installing, make sure that the catches on both sides of the bracket ① are bent inwards 2 mm. If the catches are straight or bent outwards, the unit will not be installed securely and may spring out.



**Warning**

If you have a power antenna (aerial) without a relay box, connecting this unit with the supplied power supply lead ③ may damage the antenna (aerial).

**Notes on the control and power supply leads**

- The power antenna (aerial) control lead (blue) supplies +12 V DC when you turn on the tuner, or when you activate the AF (Alternate Frequency) or TA (Traffic Announcement) function.
- When your car has built-in FM/AM/LW antenna (aerial) in the rear-side glass, connect the power antenna (aerial) control lead (blue) or the accessory power supply lead (red) to the power terminal of the existing antenna (aerial) booster. For details, consult your dealer.
- A power antenna (aerial) without a relay box cannot be used with this unit.

**Memory hold connection**

When the yellow power input lead is connected, power will always be supplied to the memory circuit even when the ignition switch is turned off.

**Notes on speaker connection**

- Before connecting the speakers, turn the unit off.
- Use speakers with an impedance of 4 to 8 ohms, and with adequate power handling capacities to avoid its damage.
- Do not connect the speaker terminals to the car chassis, or connect the terminals of the right speakers with those of the left speaker.
- Do not connect the ground (earth) lead of this unit to the negative (-) terminal of the speaker.
- Do not attempt to connect the speakers in parallel.
- Connect only passive speakers. Connecting active speakers (with built-in amplifiers) to the speaker terminals may damage the unit.
- To avoid a malfunction, do not use the built-in speaker leads installed in your car if the unit shares a common negative (-) lead for the right and left speakers.
- Do not connect the unit's speaker leads to each other.

**Notes on connection**

- If speaker and amplifier are not connected correctly, "FAILURE" appears in the display. In this case, make sure the speaker and amplifier are connected correctly.
- If you are to use the monitor for the rear seats, connect the parking brake switch cord to the ground (earth).

**Connection example 2**

**Notes (2-A)**

- Be sure to connect the ground (earth) lead before connecting the amplifier.
- The alarm will only sound if the built-in amplifier is used.

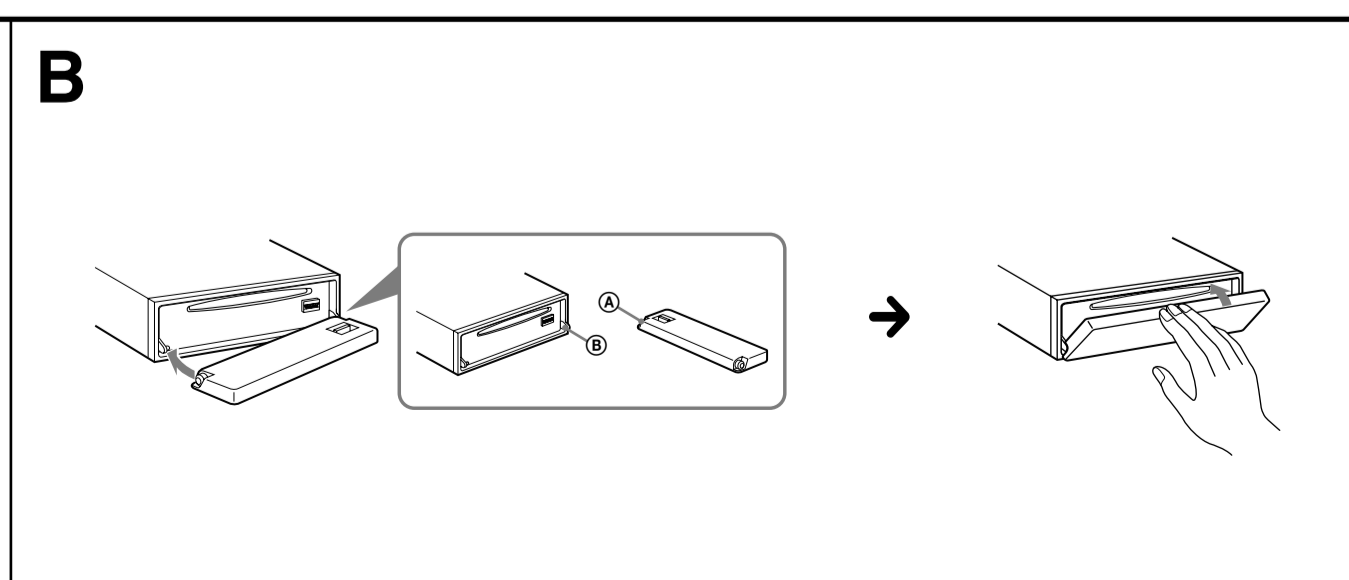
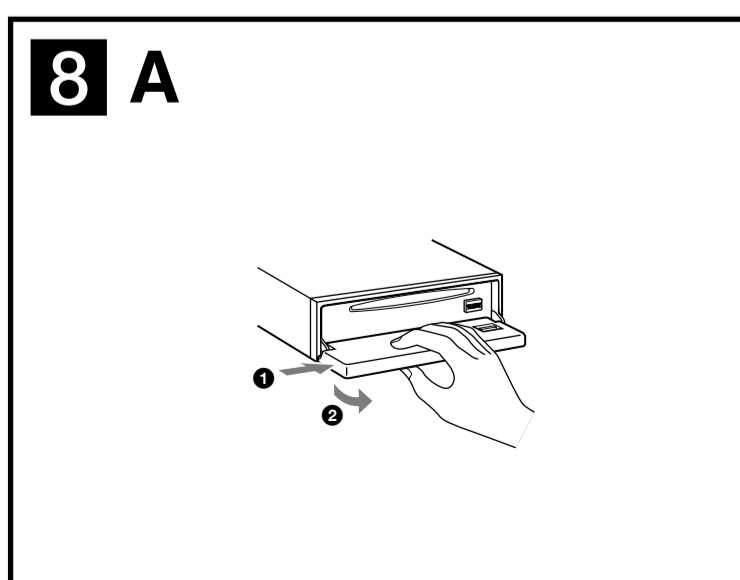
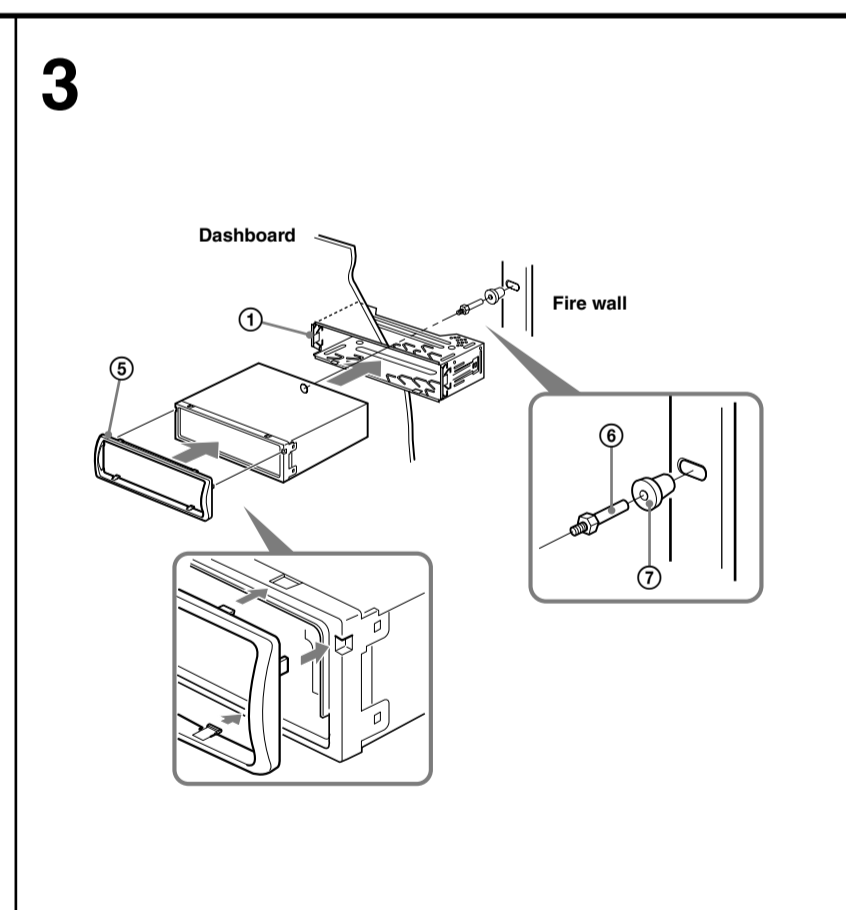
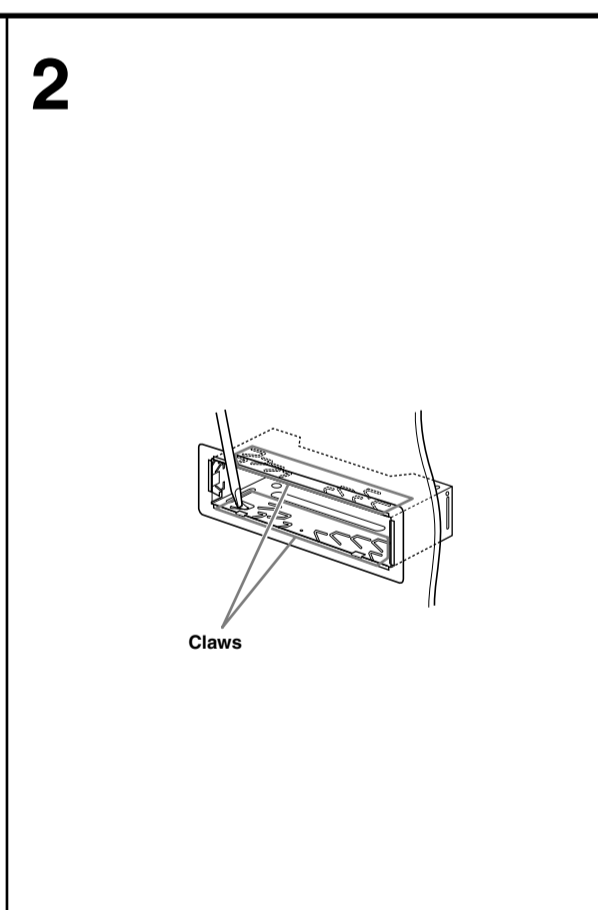
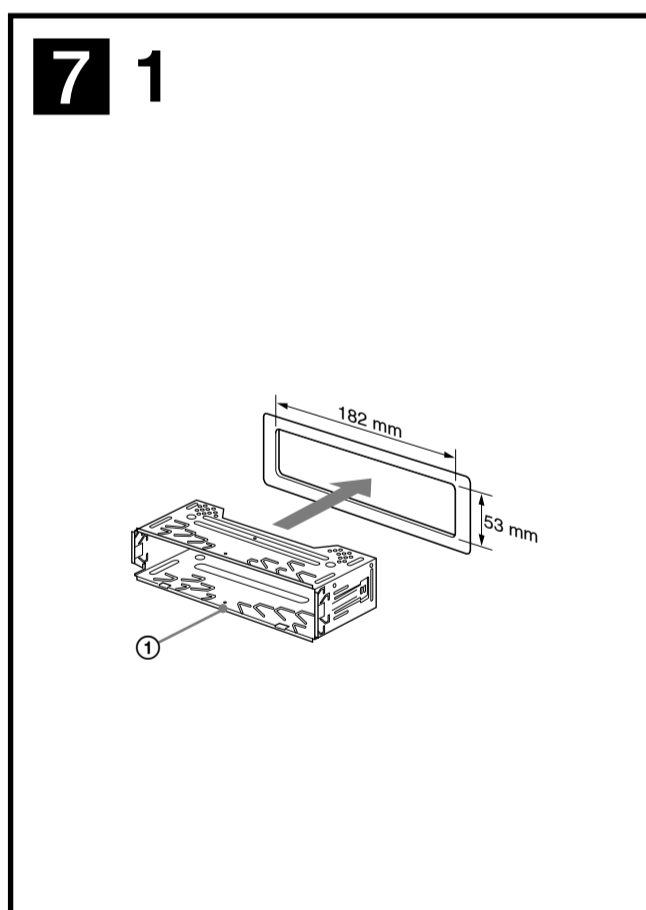
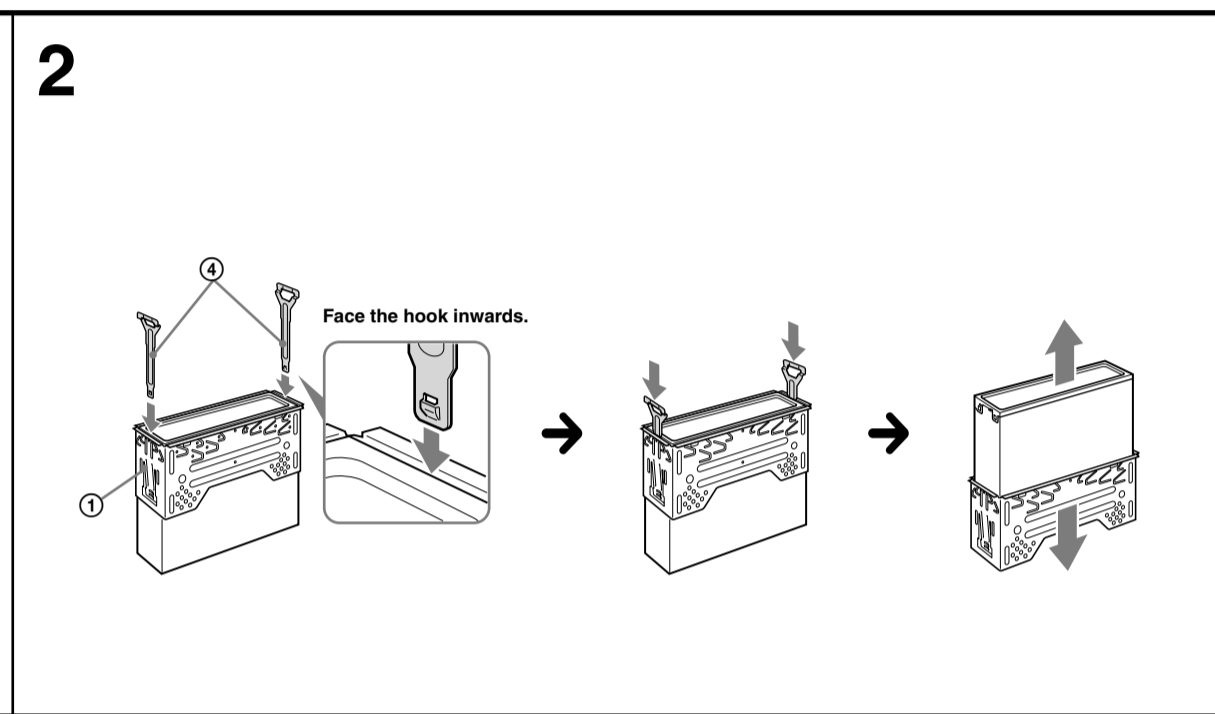
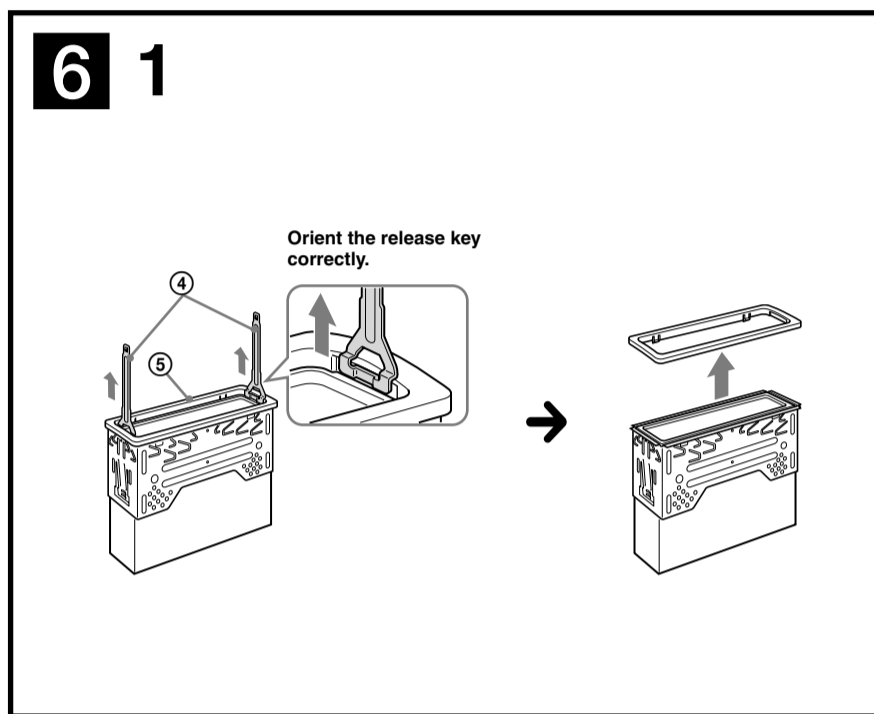
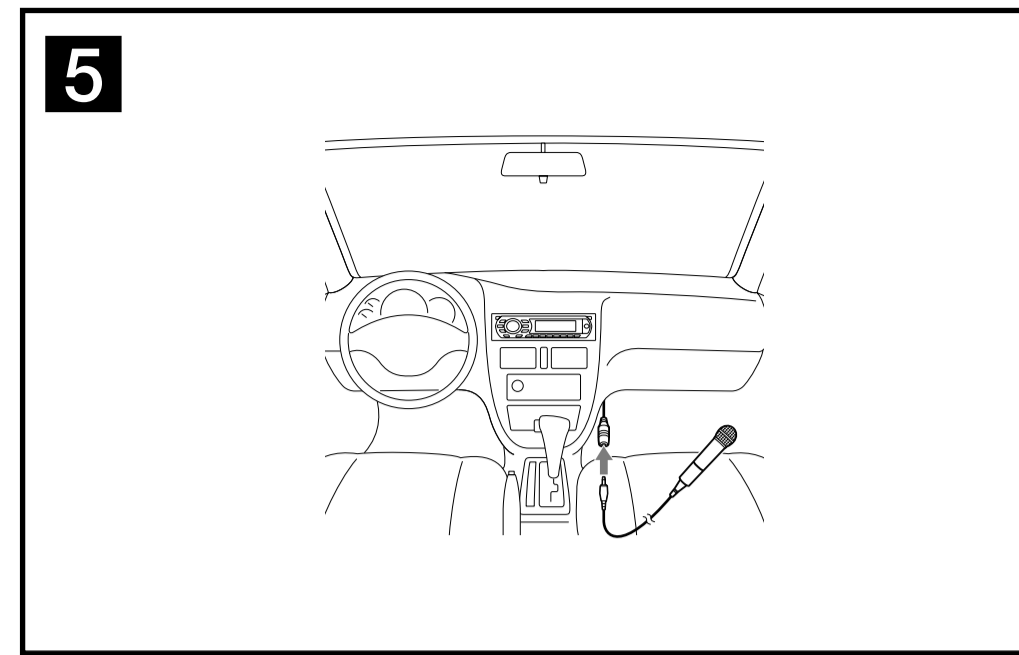
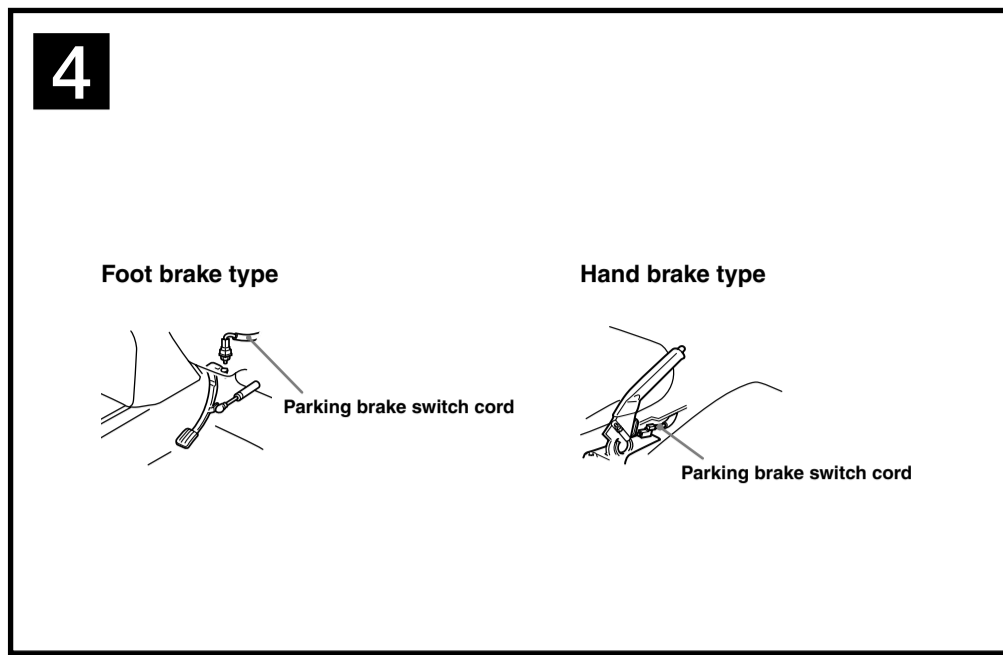
**Tip (2-B-②)**

For connecting two or more CD changers, the source selector XA-C40 (not supplied) is necessary.

**Connection diagram 3**

**A** To AMP REMOTE IN of an optional power amplifier  
This connection is only for amplifiers. Connecting any other system may damage the unit.

**B** To the parking brake switch cord  
**C** To the microphone (not supplied)



#### Precautions

- Choose the installation location carefully so that the unit will not interfere with normal driving operations.
- Avoid installing the unit in areas subject to dust, dirt, excessive vibration, or high temperature, such as in direct sunlight or near heater ducts.
- Use only the supplied mounting hardware for a safe and secure installation.

#### Mounting angle adjustment

Adjust the mounting angle to less than 45°.

#### Connecting the parking brake cord 4

Be sure to connect the parking cord (Light green) of ④ to the parking brake switch cord. The mounting position of the parking brake switch cord depends on your car. Consult your car dealer or your nearest Sony dealer for further details.

#### Connecting a microphone 5

- Connection example**
- Notes**
- Whether in use or not, route the MIC input cord such that it does not interfere with driving. Secure with a cord clamp, etc., if the cords are installed around your feet.
  - The Karaoke function is unavailable while driving.

#### Removing the protection collar and the bracket 6

Before installing the unit, remove the protection collar ③ and the bracket ① from the unit.

- 1 Remove the protection collar ③.**
  - Engage the release keys ④ together with the protection collar ③.
  - Pull out the release keys ④ to remove the protection collar ③.
- 2 Remove the bracket ①.**
  - Insert both release keys ④ together between the unit and the bracket ① until they click.
  - Pull down the bracket ①, then pull up the unit to separate.

#### Mounting example 7

- Installation in the dashboard**
- Notes**
- Bend these claws outward for a tight fit, if necessary (7-2).
  - Make sure that the 4 catches on the protection collar ③ are properly engaged in the slots of the unit (7-3).

#### How to detach and attach the front panel 8

Before installing the unit, detach the front panel.

- 8-A To detach**
- Before detaching the front panel, be sure to press **OFF**. Press **OPEN**, then slide the front panel to the right, and gently pull out the left end of the front panel.

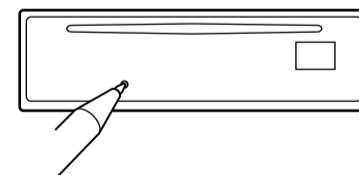
- 8-B To attach**
- Place the hole ② of the front panel onto the spindle ⑥ on the unit, then lightly push the left side in.

#### Warning if your car's ignition has no ACC position

Be sure to set the Auto Off function. For details, see the supplied Operating Instructions. The unit will shut off completely and automatically in the set time after the unit is turned off, which prevents battery drain. If you do not set the Auto Off function, press and hold **OFF** until the display disappears each time you turn the ignition off.

#### RESET button

When the installation and connections are completed, be sure to press the RESET button with a ball-point pen, etc., after detaching the front panel.



#### Power connection diagram

Auxiliary power connector may vary depending on the car. Check your car's auxiliary power connector diagram to make sure the connections match correctly. There are three basic types (illustrated below). You may need to switch the positions of the red and yellow leads in the car stereo's power supply lead. After matching the connections and switched power supply leads correctly, connect the unit to the car's power supply. If you have any questions and problems connecting your unit that are not covered in this manual, please consult the car dealer.

