

Car Cradle

Installation/Connections

CLIE
GEAR

PEGA-CC5

© 2004 Sony Corporation Printed in Japan



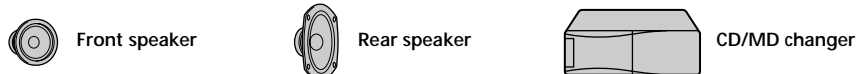
1 Parts list

- | | | |
|-----------------------------|-----------------------|--------------------|
| ① car cradle | ② holding arm (S) | ③ holding arm (L) |
| | | |
| ④ holding arm (L2) | ⑤ mounting attachment | ⑥ support arm (S) |
| | | |
| ⑦ support arm (L) | ⑧ rubber block | ⑨ holding clip (S) |
| | | |
| ⑩ holding clip (L) | ⑪ car battery adapter | ⑫ GPS aerial |
| | | |
| ⑬ base sheet for GPS aerial | ⑭ cord clamp | ⑮ two-sided tape |
| | | |

Customer Support
For the latest support information, check our official Sony CLIE Web site
Customers in Europe
<http://www.clie-link.com>

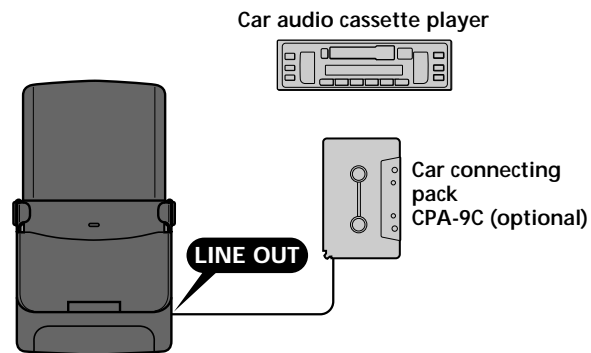
eco info Contents of this manual are printed on using VOC (Volatile Organic Compound)-free vegetable-oil-based ink.

Equipment used in illustrations (not supplied)

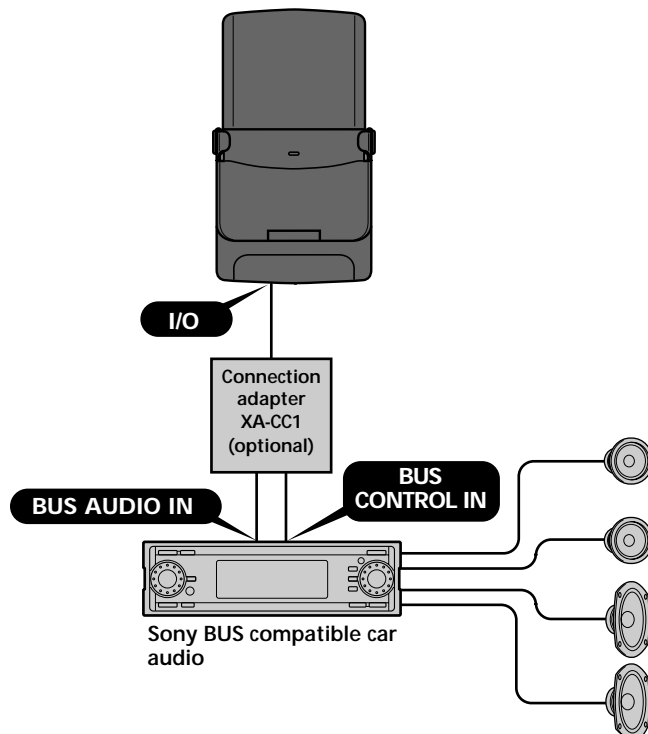


2 Connection example

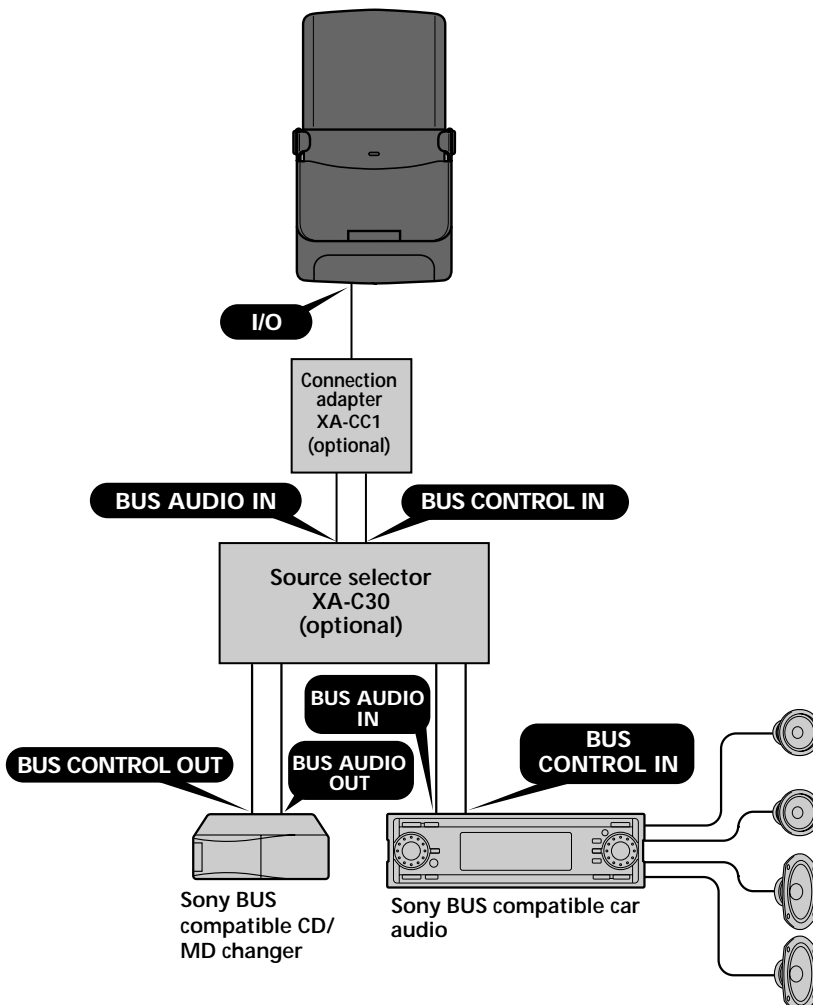
A Car cassette adapter connection



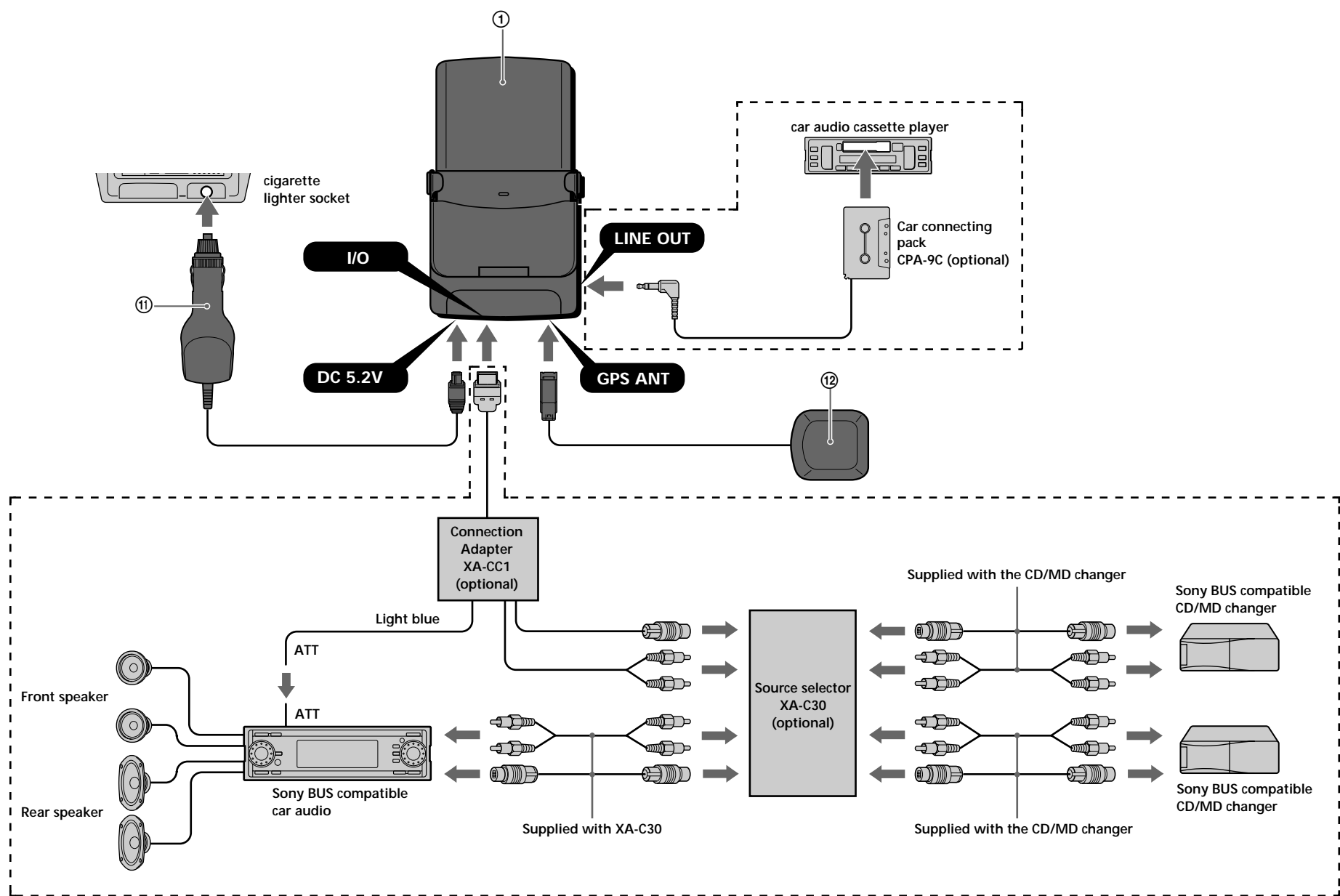
B a Sony BUS compatible car audio connection



b Sony BUS compatible car audio and Sony BUS compatible CD/MD changer connection



3 Connection diagram



Cautions

- This unit is designed for 12 V DC negative earth operation only.
- To prevent fire or shock hazard, do not expose the unit to rain or moisture.
- To avoid electrical shock, do not disassemble the unit. Refer servicing to qualified personnel only.
- Position the unit at a location that does not obstruct the operation of passenger-side airbag.
- While the unit is not in use, always disconnect it from the cigarette lighter socket.
- Do not place your CLIE™ handheld on an uneven surface while the car is moving. Otherwise, your CLIE handheld may drop, resulting in possible damage.
- Be sure to take your CLIE handheld out of the car when turning off the engine and leaving your car as the battery may drain.

On installation

- Before installing the unit, please check your local traffic laws and regulations.
- Make sure to install the unit properly according to the installation manual. Improper installation may result in a fire or an electric shock.
- Before installation, be sure to turn the ignition switch to the OFF position or take out the key out. Installing the unit with the ignition on may cause battery drain or a short circuit.
- For information about the polarity, battery voltage and location of the airbag of your car, please consult your car dealer.
- Do not damage any pipes, tubes, the fuel tank or electric wiring when installing the unit, as a fire or accident may result. If you drill a hole in car panels, make sure that any hidden car parts will not be damaged.
- Do not use any nuts or bolts for critical devices such as steering linkage, fuel supply or braking systems. This can cause a fire or an accident.
- Take care to prevent the cords and wires from getting tangled or crimped in the moving portion of a seat rail.
- Do not use any car battery adapter other than the one supplied.

Installing location

- Do not install the car cradle where:
 - It will obstruct the driver's view when the car cradle is mounted in the car, or your CLIE handheld is in the car cradle.
 - It will obstruct the operation of the airbag system.
 - It will obstruct the operation of the vehicle, especially the steering wheel, shift lever, or brake pedal.
 - It will be subjected to heat/high temperature (on a dashboard etc).
- Please consult a qualified technician or service personnel if you cannot attach the car cradle to the car securely.

Notes on using car battery adapter

- Do not subject the unit to:
 - Extreme heat or cold
 - Dust, dirt, or sand
 - High humidity
 - Vibration
 - Strong magnetic fields
 - Mechanical shock
 - Direct sunlight (for extended periods of time)
- Do not drop the unit.
- Disconnect the car battery adapter from the cigarette lighter socket when the engine is turned off.
- Be sure that nothing metallic comes into contact with the metal parts of this unit. If this happens, a short circuit may occur and the unit may be damaged.
- Do not operate the unit if it has a damaged cord or if it has been dropped or damaged.
- Always keep the metal contacts clean.
- Do not disassemble or convert the unit.
- While the unit is in use, it gets warm. This is normal.

On cleaning

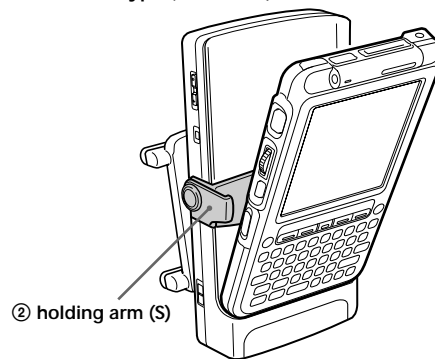
Clean the unit with a soft, dry cloth or a soft cloth lightly moistened with a mild detergent solution. Do not use any type of solvent, such as alcohol or benzene, which may damage the finish.

Parts list (see fig. 1)

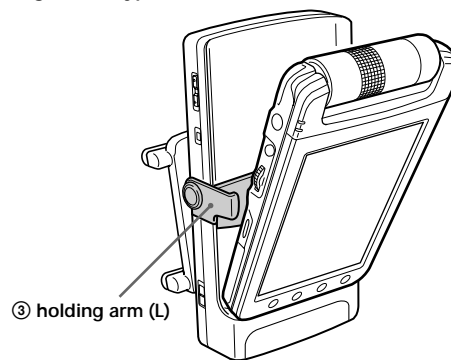
The numbers in the list refer to those in the instructions.

Choose the holding arm (2, 3 or 4), depending on the type of the CLIE handheld.

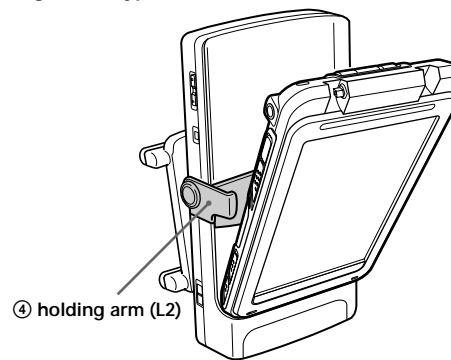
Short screen type (PEG-TG50)



Long screen type (PEG-NX73V)



Long screen type 2 (PEG-TH55)



Connection example (see fig. 2)

Sony car audio units being compatible with PEGA-CC5 include:

- Units with CD/MD changer control from 2004 forward
- Following units
MEX-5DI, CDX-M1000TF, CDX-MP80, CDX-M850MP, CDX-M800, CDX-MP40, CDX-CA680X, CDX-MP70, CDX-MP30, CDX-M730, CDX-M630, CDX-CA900, CDX-CA700X, CDX-CA700, CDX-CA600X, CDX-CA600, MDX-CA790X, MDX-M690, MDX-CA680X, MDX-CA580, XR-CA670X, XR-CA370X, XR-CA370, XR-CA630X, XR-CA430X, XR-CA440, XR-CA600V, XR-CA600

Car cassette adapter connection (A)
The car audio cassette player is necessary.

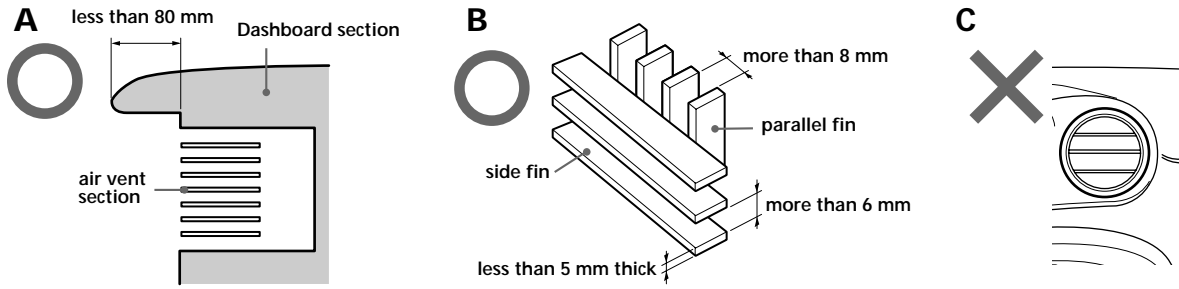
Sony BUS compatible car audio connection (B-a)
For connecting, the XA-CC1 connection adapter (optional) is necessary.

Sony BUS compatible car audio and Sony BUS compatible CD/MD changer connection (B-b)
For connecting, the XA-CC1 connection adapter (optional) and the XA-C30 source selector (optional) are necessary.

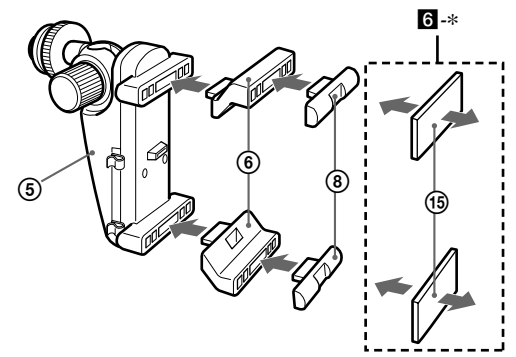
Connection diagram (see fig. 3)

Note on car battery adapter connection
Insert the car battery adapter (1) in the cigarette lighter socket only after all installation/connections have been done.

4 Attaching condition

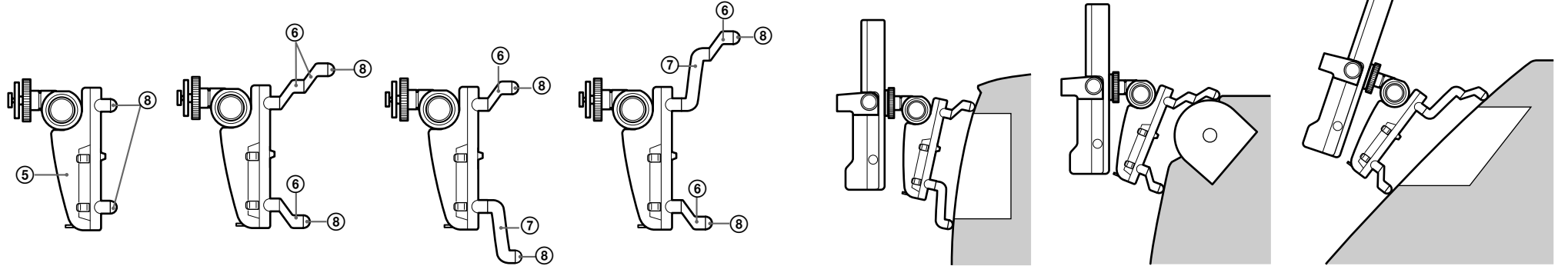


5 Mounting support arm and rubber blocks

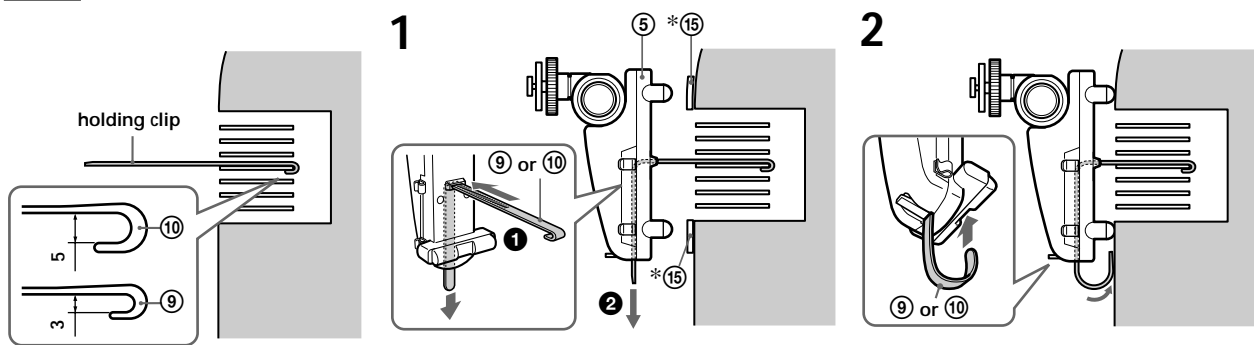


Combination example

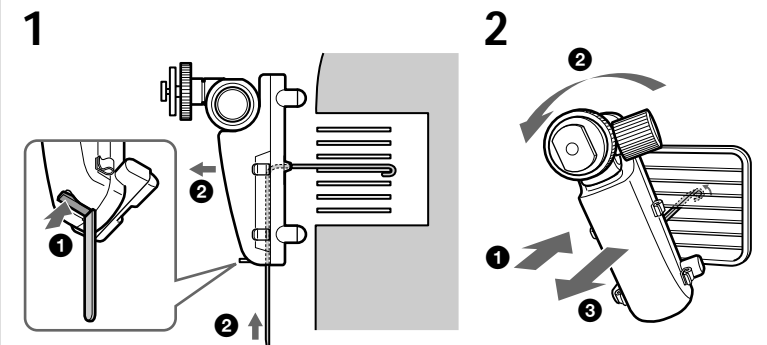
Mounting example



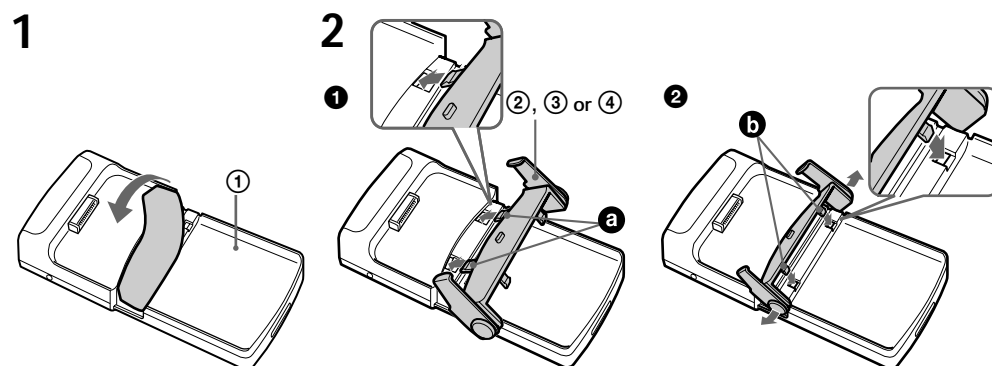
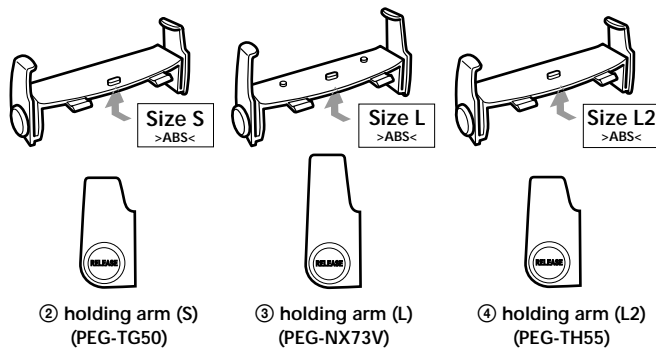
6 A Installing the mounting attachment



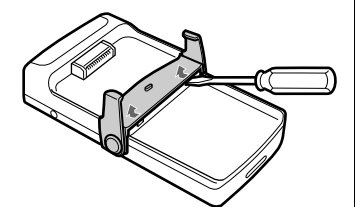
B Removing the mounting attachment



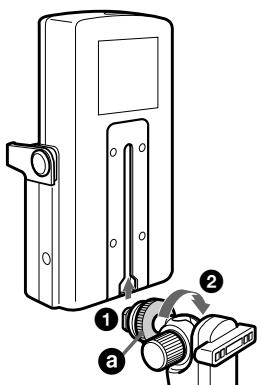
7 Attaching the holding arms



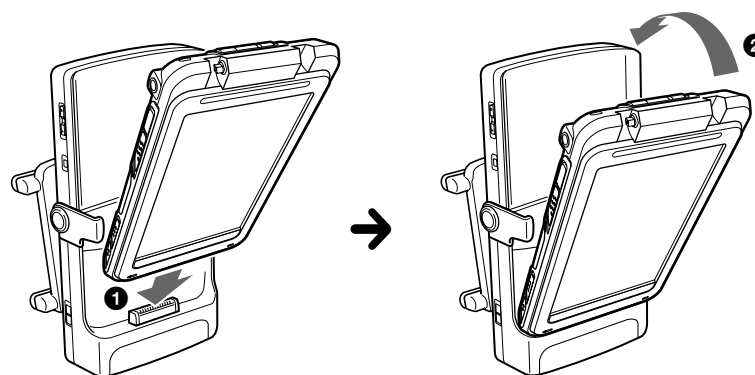
Detaching the holding arms



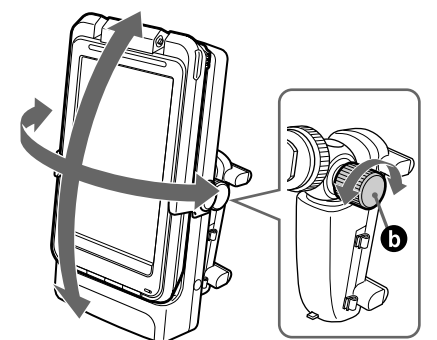
8 Mounting the car cradle to the mounting attachment



9 Attaching your CLIÉ™ handheld

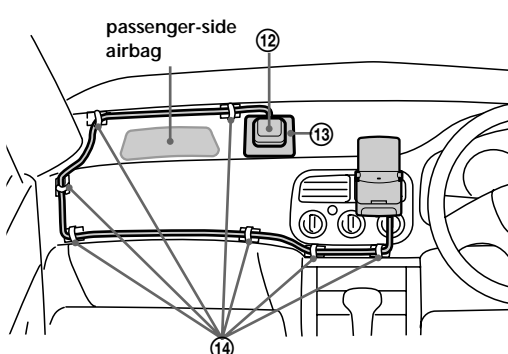


10 Adjusting the angle



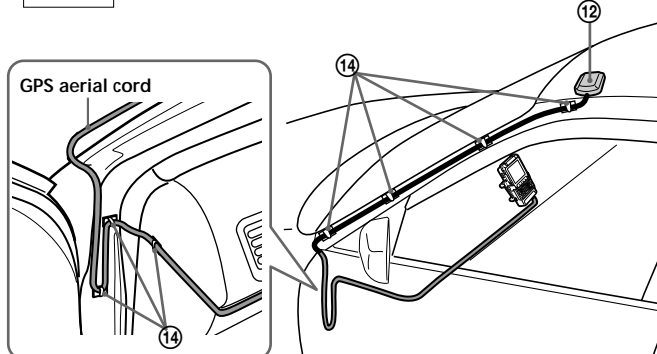
11 Attaching a GPS aerial

A Attaching to the inside of a car

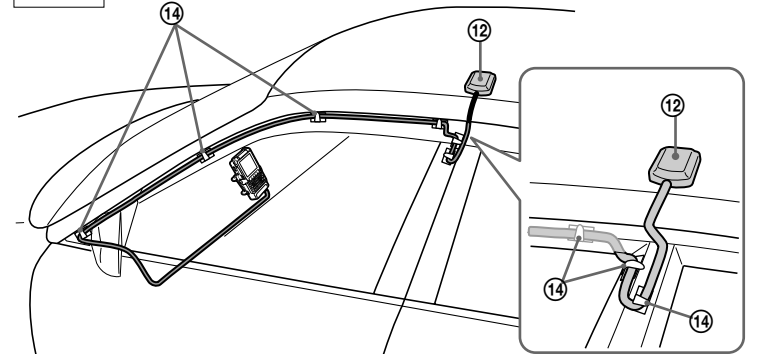


B Attaching to the outside of a car

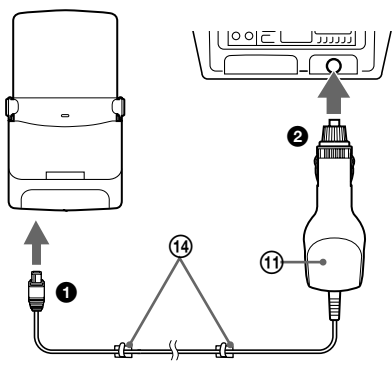
Roof A



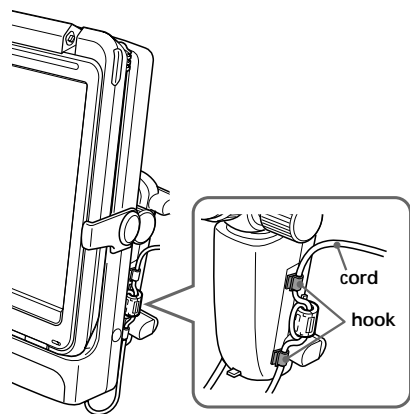
Roof B



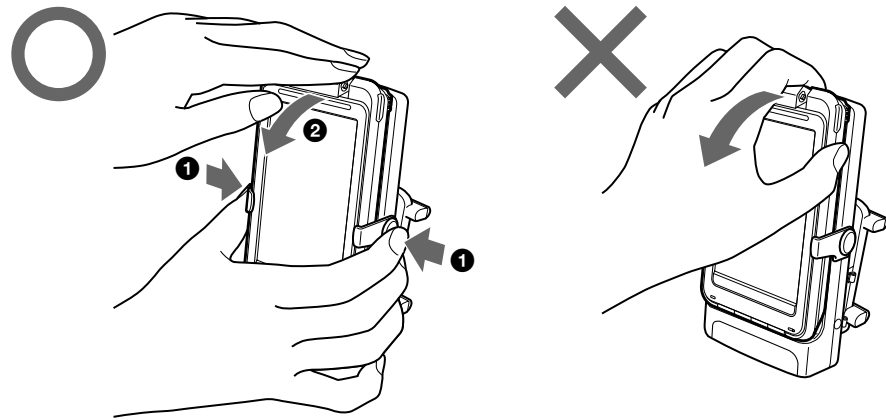
12 Connecting the car battery adapter



You can also fix the cord of the GPS aerial or the car battery adapter to the hooks on both sides of the mounting attachment.



13 Detaching your CLIÉ handheld



Precautions

- Choose the installation location carefully, such that the unit will not interfere with normal driving operations.
- Avoid installing the unit in areas subject to dust, dirt, excessive vibration or high temperatures, such as in direct sunlight or near heater ducts under the floor carpet.
- Use only the supplied mounting hardware for a safe and secure installation.

Attaching condition (see fig. 4)

This unit is attached to the dashboard of a car, and side fin of the air vent. The mounting attachment can be attached to an air vent whose dimensions and shape meet both conditions A and B. This unit cannot be attached to a circular air vent as in condition C.

Mounting support arm and rubber blocks (see fig. 5)

Combining the support arm ⑥ and the support arm ⑦ with rubber blocks ⑧, attach them to the mounting attachment ⑤. Depending on the dimensions and shape of the dashboard and the air vent, choose the support arms so that the rubber blocks ⑧ are placed on the top and bottom outer edges of the air vent.

Notes

- Choose a combination of rubber blocks ⑧, the support arm ⑥ and the support arm ⑦ so that the rubber blocks ⑧ do not block the air vent.
- Depending on the dimensions and shape of the dashboard and the air vent, the mounting attachment ⑤ can sometimes be attached without the support arm ⑥ or the support arm ⑦.

Installing the mounting attachment (see fig. 6)

A Mounting the mounting attachment.

Choose either the holding clip (S) ⑨ or the holding clip (L) ⑩, depending on the width of the side fin of the air vent.

- Insert the holding clip into the air vent and hook the holding clip on the side fin.
- Adjust the attachment position so that the holding clip does not touch the back fin. If you insert the holding clip forcibly, the back fin may be damaged.

Note

Setting the holding clip and the side fin parallel, attach the mounting attachment.

- With the holding clip hooked on the side fin of the air vent, feed the holding clip into the hole on the back of the mounting attachment, and pull the holding clip until the mounting attachment becomes stable.

Tip (6-*)

If the rubber blocks ⑧ of the car cradle slip and the car cradle cannot be attached to the dashboard securely, attach it using the two-sided tape ⑬ between the rubber blocks ⑧ and the dashboard. The two-sided tape ⑬ can be cut. Cut it to a size larger than the rubber block ⑧ itself. The two-sided tape ⑬ is ineffective if it is cut too small. Please consult a qualified technician or service personnel if you cannot attach the car cradle to the car securely.

Notes

- If you pull the holding clip too firmly, the fin of the air vent may be damaged.
- If the air vent fin is set to swing automatically, stop it before mounting the mounting attachment.
- By doing the following, make sure that the mounting attachment and the holding clip are attached securely and do not vibrate.
 - Pull the mounting attachment lightly and push it up and down.
 - Push and pull the mounting attachment against the air vent.

B Removing the mounting attachment

- Press the lever on the bottom of the mounting attachment.
 - Loosen the holding clip by pulling the mounting attachment forward.
- Press the mounting attachment to the air vent.
 - Twist the mounting attachment slightly.
 - Pull the mounting attachment off towards you.

Attaching the holding arms (see fig. 7)

Depending on the type of the CLIÉ handheld (short screen or long screen), choose the holding arm ②, the holding arm ③ or the holding arm ④.

Short screen type (PEG-TG50)
"Size S" is marked on the back of the holding arm ②.

Size S
>ABS<

Long screen type (PEG-NX73V)
"Size L" is marked on the back of the holding arm ③.

Size L
>ABS<

Long screen type 2 (PEG-TH55)
"Size L2" is marked on the back of the holding arm ④.

Size L2
>ABS<

- Remove the sheet attached to the car cradle. When removing the sheet, be careful not to let any objects get into the slots of the car cradle.
- Attach the holding arms chosen according to the type of CLIÉ handheld.
 - Insert the holding arms' tab ① into the car cradle.
 - Pull both sides of the holding arms outwards and insert the tab ②.

Detaching the holding arms

When replacing the holding arms to use the different type of CLIÉ handheld, etc., insert the tip of a slotted screwdriver into the slot for the tab ① and release the lock of the tab. There are two tabs: one on the left and one on the right.

Mounting the car cradle to the mounting attachment (see fig. 8)

- Slide the tip of the mounting attachment along the rail on the back of the car cradle to mount it.
- Rotate the dial ① to fix the car cradle.

Attaching your CLIÉ handheld (see fig. 9)

Mounting

- Mount your CLIÉ handheld on the connector of the car cradle.
- Tilt back your CLIÉ handheld rest in the car cradle.

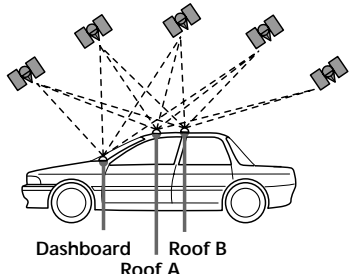
Note

Do not mount your CLIÉ handheld while driving.

Adjusting the angle (see fig. 10)

Adjust the angle of the car cradle by dial ① of the mounting attachment.

Attaching a GPS aerial (see fig. 11)



A Attaching to the inside of a car

- Install the GPS aerial ⑫ on the dashboard.
- Install the GPS aerial ⑫ on a flat surface to keep it horizontal.
- Choose the attachment position where the best reception is achieved. Also, choose the position where no obstacle blocks the reception from the GPS satellite.

Note

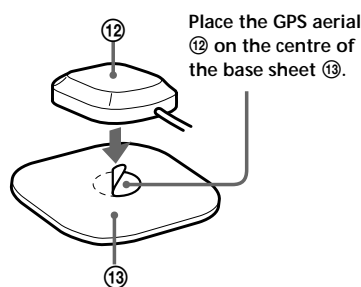
Some types of front windscreen do not let the radio wave from a GPS satellite pass.

If the reception of the radio wave is poor when the GPS aerial ⑫ is attached to the inside, attach it to the outside of the car roof.

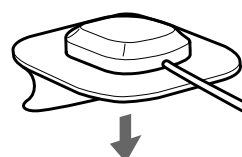
Before attachment

- Make sure that the GPS aerial ⑫ has good reception and not hidden behind car ornaments, the windscreen wiper, etc.
- Make sure that the GPS aerial ⑫ does not disturb operation of car equipment.
- Clean the mounting surface.

- Remove the release-coated paper from the surface of the base sheet ⑬, and then place the GPS aerial ⑫ on the centre of the base sheet ⑬.



- Remove the release-coated paper from the back surface of the base sheet ⑬, and stick the base sheet ⑬ to the mounting surface.



To mounting surface

Notes

- Fix the cord to the position that does not obstruct the operation of passenger-side airbag.
- Fix the cord of the GPS aerial ⑫ using the cord clamps ⑭ if necessary, to prevent the cord from disturbing driving. If the cord tangles up the gearshift, etc., it is extremely dangerous.
- Attach the cord clamps ⑭ after cleaning the mounting surface.

B Attaching to the outside of a car

- Attach the GPS aerial ⑫ horizontally in a place where GPS satellite reception is not blocked by the car roof.
- The GPS aerial ⑫ is attached by a magnet. When attaching it on the car, place it carefully, so as not to harm the car's body surface.

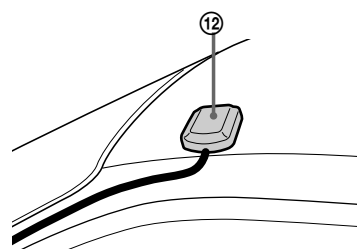
When attaching to a car of aluminum or FRP body

Since the magnet will not stick to aluminum or FRP, attach the GPS aerial ⑫ to the inside of the car.

Before attachment

Clean the mounting surface.

- Attach the GPS aerial ⑫ to the roof. Clean the mounting surface before attaching.



2 Place cord.

Roof A

Pass the GPS aerial cord over the roof, passing the windscreen pillar, fender and molding, and then pull it inside of the car.

Note

Secure the cord with the cord clamps in the form of a U-shape to prevent rain water from entering the car along the cord.

Roof B

Pass the GPS aerial cord over the roof, passing the centre pillar, windscreen pillar inner side and dashboard, and then pull it into the car.

Notes

- Do not place the cord on the inside of the car if the car uses a curtain-type side airbag that spreads from the windscreen pillar over the centre pillar, or a shock-absorbing structure for its interior.
- Secure the cord using the cord clamps to make the cord form U-shape so that rain water does not enter into the car along the cord.

Notes on GPS aerial

- Do not allow the cord to slack outside of the car.
- Depending on the car, the antenna cord may not be long enough to reach the roof. In this case, attach the GPS aerial to the inside of the car.
- Secure the cord of the GPS aerial with the cord clamps ⑭ if necessary, to prevent the cord from disturbing driving.
- When detaching the GPS aerial, do not pull the cord, since the magnetic power is strong, the cord may detach.
- When washing your car by an automatic car-washing machine, detach the GPS aerial. Otherwise, the aerial may be detached during washing, and damage your car.
- GPS signals and DC power are flowing through the GPS aerial cord. When attaching the GPS aerial, be careful that the cord is not caught in any moving parts of the car. A damaged cord results in malfunction of the GPS aerial and the car cradle.
- Do not place the cord on the inside of the car if the car uses a curtain-type side airbag that spreads from the windscreen pillar over the centre pillar, or a shock-absorbing structure for its interior. For details, please consult qualified technician or service personnel.

On painting of the GPS aerial

The GPS aerial ⑫ can be painted to match the car's body colour. However, do not use metallic paint, as it may cause poor reception or reception error. Also, when painting, do not dismantle the aerial.

Connecting the car battery adapter (see fig. 12)

Connect the car battery adapter ⑪ to the DC 5.2V connector of car cradle ①, and connect the car battery adapter ⑪ into the cigarette lighter socket ②.

Notes

- Do not plug the car battery adapter ⑪ into the cigarette lighter socket immediately after using the cigarette lighter. First allow the socket to cool down.
- To fix the cord of the car battery adapter ⑪, use the cord clamps ⑭ if necessary. Clean the mounting surface before attaching the cord clamps.

Detaching your CLIÉ handheld (see fig. 13)

Detaching

- Squeeze both RELEASE buttons simultaneously with one hand.
- Pull out the CLIÉ handheld towards you from the top with your other hand.

Notes

- Do not detach your CLIÉ handheld from the car cradle with one hand, it may cause a malfunction.
- Do not detach your CLIÉ handheld while driving.