

# Radio Cassette Player

## Operating Instructions

Mode d'emploi (au verso)

使用说明书（反面）

©2002 Sony Corporation



## WM-FX288/FX244

Sony Corporation ©2002 Printed in China

The validity of the CE marking is restricted to only those countries where it is legally enforced, mainly in the countries EEA (European Economic Area).

La marque CE est valable uniquement dans les pays où elle a force de loi, c'est-à-dire principalement dans les pays de l'EEE (Espace Economique Européen).

CE 标志的有效性，仅限于那些有法律限制的国家，主要在 EEA（欧洲经济区）国家。

http://www.sony.net/

\*WALKMAN® is a registered trademark of Sony Corporation.

™ WALKMAN is a trademark of Sony Corporation.

\*WALKMAN® est une marque déposée de Sony Corporation.

™ WALKMAN est une marque commerciale de Sony Corporation.

### English

## For customers in the United States Owner's Record

The model number is located on the bottom and the serial number is located inside the battery compartment lid. Record these numbers in the space provided below. Refer to them whenever you call upon your Sony dealer regarding this product.

Model No. \_\_\_\_\_  
Serial No. \_\_\_\_\_

## Product registration

Please register this product on line at [www.sony.com/productregistration](http://www.sony.com/productregistration).  
<<http://www.sony.com/productregistration>>

Proper registration will enable us to send you periodic mailings about new products, services, and other important announcements. Registering your product will also allow us to contact you in the unlikely event that the product needs adjustment or modification. Thank you.

## INFORMATION

This device complies with Part 15 of the FCC Rules. Operation is subject to the following two conditions: (1) This device may not cause harmful interference, and (2) this device must accept any interference received, including interference that may cause undesired operation.

You are cautioned that any changes or modifications not expressly approved in this manual could void your authority to operate this equipment.

## Preparations

### To Insert Batteries **A**

- Slide open the battery compartment lid, and insert two R6 (size AA) dry batteries with correct polarity.

Replace the batteries with new ones when " " flashes in the display.

## Playing a Tape

- Insert a cassette. **B**
  - Press ►PLAY.
- Adjust the volume with VOLUME.

To	Press
Stop playback	■STOP
Wind rapidly*	►►FF or ◄◄REW

\* If you leave the unit after the tape has been wound or rewound, the battery will be consumed rapidly. Be sure to press ■STOP.

**Note**  
• Do not open the cassette holder while the tape is running.

## Listening to the Radio

- If the HOLD function is turned on, slide the HOLD switch in the opposite direction of the arrow to unlock the controls.
- Press FM or AM to select the desired band and to turn on the radio.
- Press TUNING +/- to tune in to the desired station.  
If you hold down TUNING+/- for a few seconds, the Walkman starts scanning for stations and stops for 3 seconds each time a station is tuned. When the desired frequency digits appear, press TUNING +/- to stop.

### To turn off the radio

Press OFF.

### To improve broadcast reception **C**

- For FM:** Extend the headphones/earphones cord (antenna) or adjust DX•LOCAL or ST•FM MONO.
- For AM:** Reorient the unit itself.

## Presetting Radio Stations

You can preset up to 40 stations.  
For Canada, the U.S.A. and Central/South America: 30 for FM and 10 for AM.

For other countries: 35 for FM and 5 for AM.

## Presetting Automatically Scanned Stations

- Press FM or AM.
- Press ENTER for more than 3 seconds. Preset number 1 will flash in the display and the Walkman starts scanning the stations from the lower frequencies and stops for about 3 seconds when a station is received.
- If you wish to preset the received station, press ENTER while the preset number is flashing. The received station is preset on preset number 1 and the unit starts scanning for the next receivable station.
- Repeat step 3 until all receivable stations are preset.

### To stop scanning

Press OFF. The radio is turned off at the same time.

### Note

- If stations are already stored, the newly preset stations replace the old ones when the above procedure is completed.

## Presetting Stations Manually

- Press FM or AM.
- Press ENTER. The frequency digits and a preset number flash in the display.
- While the frequency digits and the preset number are flashing, tune in to a station you wish to store using TUNING+/-, and select a preset number using PRESET+/-.
- While the frequency digits and the preset number are flashing, press ENTER.

### Notes

- If you cannot complete step 3 or 4 while the indications are flashing, repeat from step 2.
- If a station is already stored, the new station replaces the old one.

### To cancel the stored station

Follow the procedure above and in step 3, press and hold TUNING +/- until “- - -” is displayed and select the preset number you want to cancel using PRESET +/- . Press ENTER while “- - -” is flashing.

### Playing the preset radio stations

- Press FM or AM.
- Press PRESET+/- to select the stations that you want to play.

## Using Other Functions

### Locking the controls

Set the HOLD switch in the direction of the ► mark to lock the controls.  
The HOLD function only locks the radio operation buttons and MEGA BASS.

### Emphasizing bass sound

Press MEGA BASS.  
“MEGA BASS” appears in the display.

### Notes

- If the sound is distorted when MEGA BASS is activated, turn down the volume of the main unit or press MEGA BASS again to turn off the MEGA BASS function.
- Bass emphasis may not show great effect if the volume is turned up too high.

## Protecting your hearing — AVLS (Automatic Volume Limiter System)

Set AVLS to LIMIT. The maximum volume is kept down to protect your ears.

## Precautions

### On batteries

- Do not carry dry batteries with coins or other metallic objects. It can generate heat if the positive and negative terminals of the batteries are accidentally contacted by a metallic object.
- When you are not going to use your Walkman for a long time, remove the batteries to prevent damage from battery leakage and corrosion.

### On handling

- Do not leave the unit in a location near heat sources, or in a place subject to direct sunlight, excessive dust or sand, moisture, rain, mechanical shock, or in a car with its windows closed.
- We do not recommend the use of tape longer than 90 minutes. They are very thin and tend to be stretched easily. This may cause malfunction of the unit or sound deterioration.
- The LCD display may become hard to see or slow down when using the unit at high temperatures (above 40°C/104°F) or at low temperatures (below 0°C/32°F). At room temperature, the display will return to its normal operating condition.
- If the unit has not been used for a long time, set it in the playback mode to warm it up for a few minutes before you start using it again.

## On headphones/earphones Road safety

Do not use headphones/earphones while driving, cycling, or operating any motorized vehicle. It may create a traffic hazard and is illegal in some areas. It can also be potentially dangerous to play your headphones/earphones at high volume while walking, especially at pedestrian crossings. You should exercise extreme caution or discontinue use in potentially hazardous situations.

### Preventing hearing damage

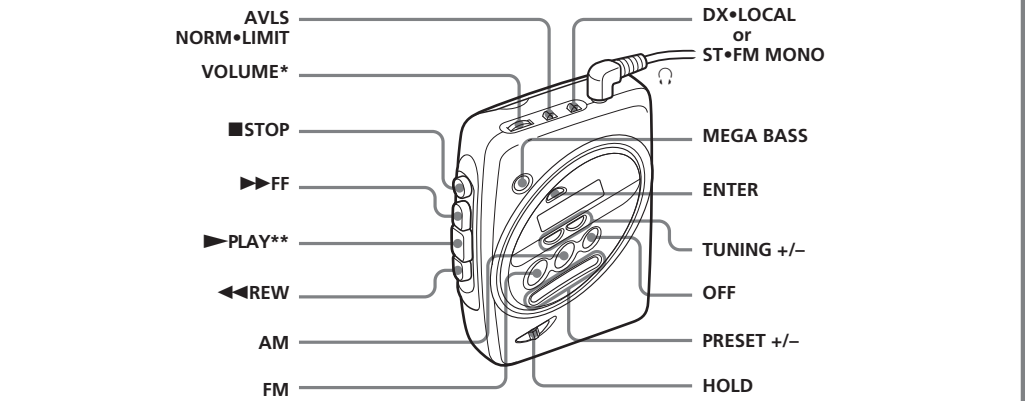
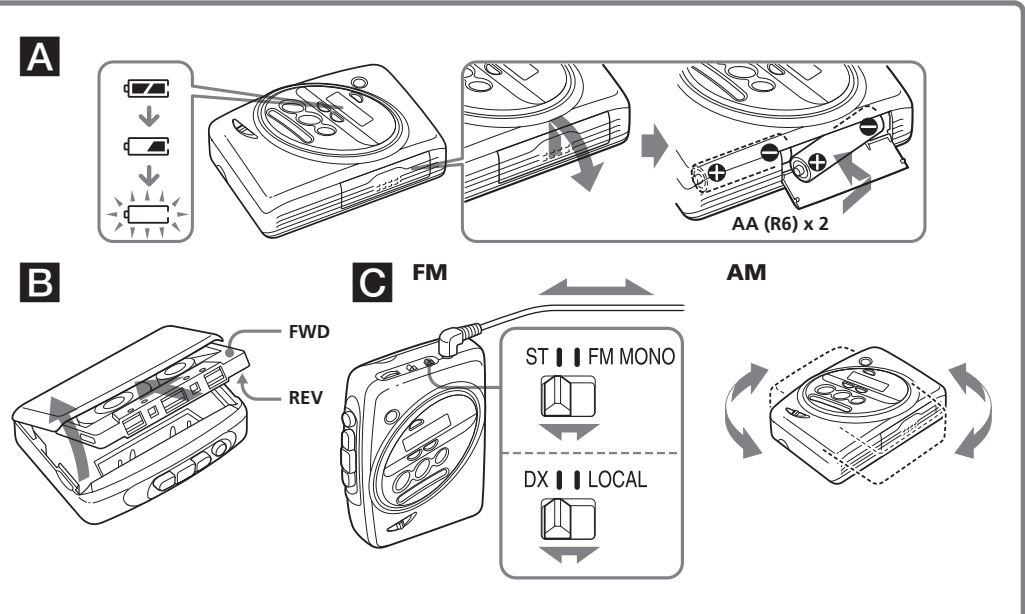
Do not use headphones/earphones at high volume. Hearing experts advise against continuous, loud and extended play. If you experience a ringing in your ears, reduce the volume or discontinue use.

### Caring for others

Keep the volume at a moderate level. This will allow you to hear outside sounds and to be considerate to the people around you.

### On maintenance

- Clean the tape head and tape path using a cotton swab and commercially available cleaning solvent after every 10 hours of use.
- To clean the exterior, use a soft cloth slightly moistened in water. Do not use alcohol, benzine or thinner.
- Clean the headphones/earphones plugs periodically.



- \* There is a tactile dot beside VOLUME on the main unit to show the direction to turn up the volume.
- \*\* The button has a tactile dot.

### Specifications

- Frequency range**  
FM: 87.5 - 108 MHz  
AM: 530 - 1 710 kHz (North, Central and South America)  
531 - 1 602 kHz (Other countries)
  - Power requirements**  
3V DC, batteries R6 (size AA) × 2
  - Dimensions (w/h/d)**  
Approx. 91.4 × 115.5 × 37.8 mm (3 5/8 × 4 3/8 × 1 1/2 inches) excl. projecting parts and controls
  - Mass**  
Approx. 149 g (5.3 oz) (main unit only)
  - Supplied accessories**  
Stereo headphones or Stereo earphones (1)  
Carrying case with belt clip or Carrying pouch (1)
- Design and specifications are subject to change without notice.

### Battery life\* (approximate hours)

	Sony alkaline LR6 (SG)**	Sony R6P (SR)
Tape playback	25	7.5
Radio reception	40	14

\* Measured value by the standard of JEITA (Japan Electronics and Information Technology Industries Association). (Using a Sony HF series cassette tape)

\*\*When using Sony LR6(SG) “STAMINA” alkaline dry batteries (produced in Japan).

### Note

- The battery life may be shorter depending on the operating condition, the surrounding temperature and battery type.

This warranty is valid only in the United States.

Cette carte n'est valide qu'aux Etats-Unis.

本保修卡仅限美国使用。

**SONY** Tape Cassette Player/Recorder/CD Player/Mini Disc  
DAT/Radio/Head Phone/Speaker/MIC/Personal

Portable Audio

## LIMITED WARRANTY (U.S. Only)

Sony Electronics Inc. ("Sony") warrants this product against defects in material or workmanship for the time periods and as set forth below. Pursuant to this Limited Warranty, Sony will, at its option, (i) repair the product using new or refurbished parts or (ii) replace the product with a new or refurbished product. For purposes of this Limited Warranty, "refurbished" means a product or part that has been returned to its original specifications. In the event of a defect, these are your exclusive remedies.

**Labor:** For a period of ninety (90) days from the original date of purchase of the product ("Labor Warranty"), Sony will, at its option, repair or replace with new or refurbished product, product determined to be defective. If Sony elects to replace the product after this Labor Warranty has expired but while the Parts Warranty below is in effect, it will do so for the applicable labor charge.

**Parts:** For a period of one (1) year from the original date of purchase of product ("Parts Warranty"), Sony will supply new or refurbished replacement parts in exchange for parts determined to be defective.

This Limited Warranty covers only the hardware components packaged with the Product. It does not cover technical assistance for hardware or software usage and it does not cover any software products whether or not contained in the Product, any such software is provided "AS IS" unless expressly provided for in any end-user software Limited Warranty. Please refer to the End User License Agreements included with the Product for your rights and obligations with respect to the software.

**Instructions:** To obtain warranty service, you must deliver the product, freight prepaid, in either its original packaging or packaging affording an equal degree of protection to the Sony authorized service facility specified. It is your responsibility to backup any data, software or other materials you may have stored or prepared on your units. It is likely that such data, software, or other materials will be lost or reformatted during service and Sony will not be responsible for any such damage or loss. A dated purchase receipt is required. For specific instructions on how to obtain warranty service for your product.

Visit Sony's Web Site:  
[www.sony.com/service](http://www.sony.com/service)

Or call the Sony Customer Information Service Center  
1-800-222-SONY (7669)

For an accessory or part not available from your authorized dealer, call:  
1-800-488-SONY (7669)

**Repair / Replacement Warranty:** This Limited Warranty shall apply to any repair, replacement part or replacement product for the remainder of the original Limited Warranty period or for ninety (90) days, whichever is longer. Any parts or product replaced under this Limited Warranty will become the property of Sony.

This Limited Warranty only covers product issues caused by defects in material or workmanship during ordinary consumer use; it does not cover product issues caused by any other reason, including but not limited to product issues due to commercial use, acts of God, misuse, limitations of technology, or modification of or to any part of the Sony product. This Limited Warranty does not cover: Sony products sold AS IS or WITH ALL FAULTS or consumables (such as fuses or batteries). This Limited Warranty is invalid if the factory-applied serial number has been altered or removed from the product. This Limited Warranty is valid only in the United States.

**LIMITATION ON DAMAGES:** SONY SHALL NOT BE LIABLE FOR ANY INCIDENTAL OR CONSEQUENTIAL DAMAGES FOR BREACH OF ANY EXPRESS OR IMPLIED WARRANTY ON THIS PRODUCT.

**DURATION OF IMPLIED WARRANTIES:** EXCEPT TO THE EXTENT PROHIBITED BY APPLICABLE LAW, ANY IMPLIED WARRANTY OF MERCHANTABILITY OR FITNESS FOR A PARTICULAR PURPOSE ON THIS PRODUCT IS LIMITED TO THE DURATION OF THIS WARRANTY.

Some states do not allow the exclusion or limitation of incidental or consequential damages, or other limitations on how long an implied warranty lasts, so the above limitations or exclusions may not apply to you. This Limited Warranty gives you specific legal rights and you may have other rights which vary from state to state.

