

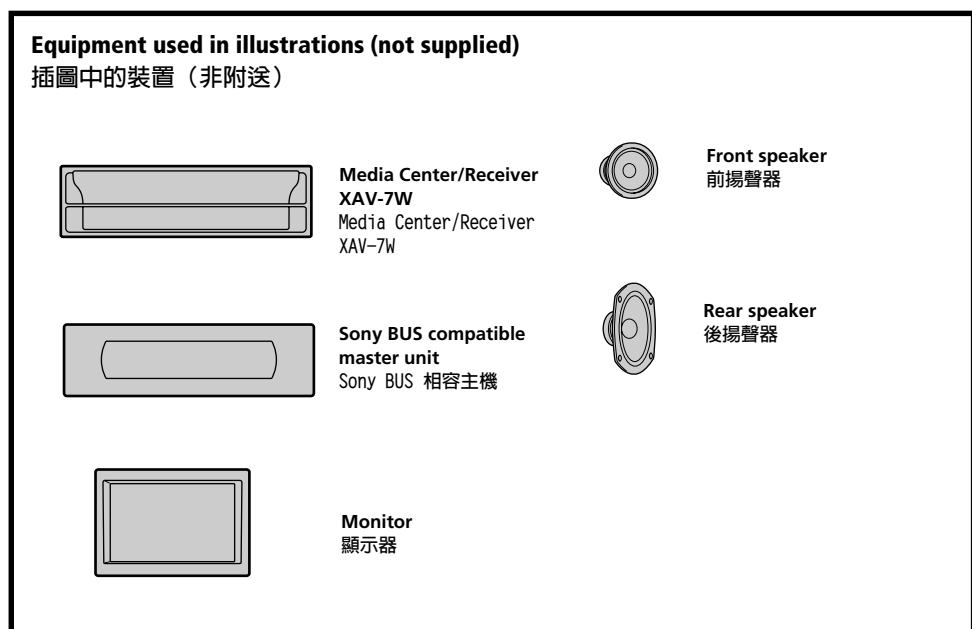
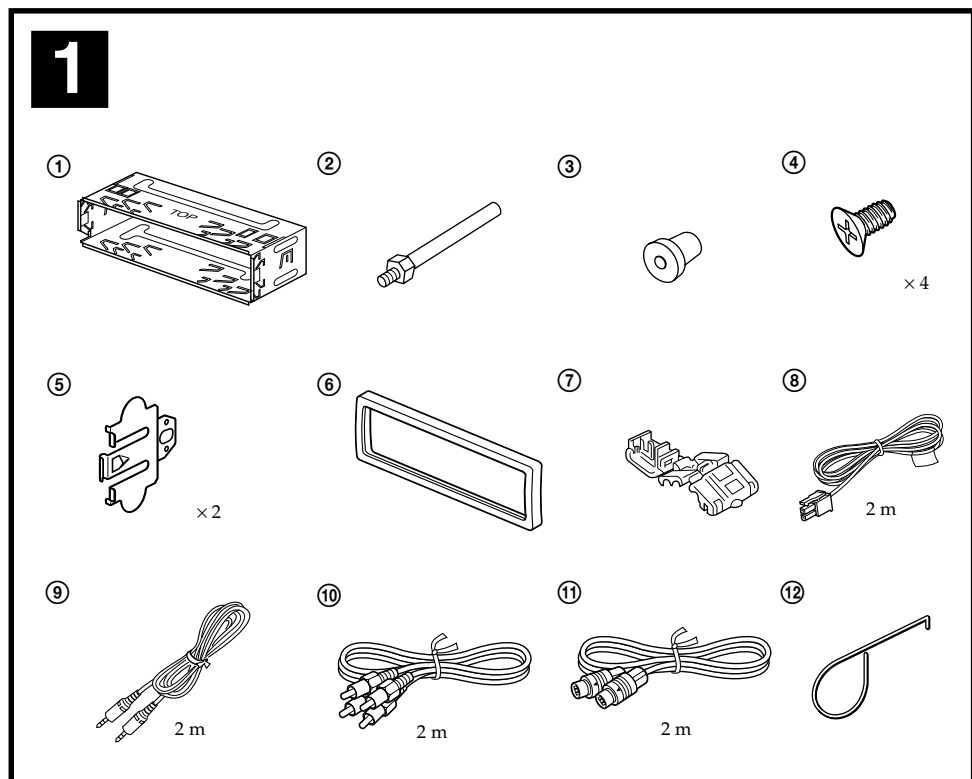
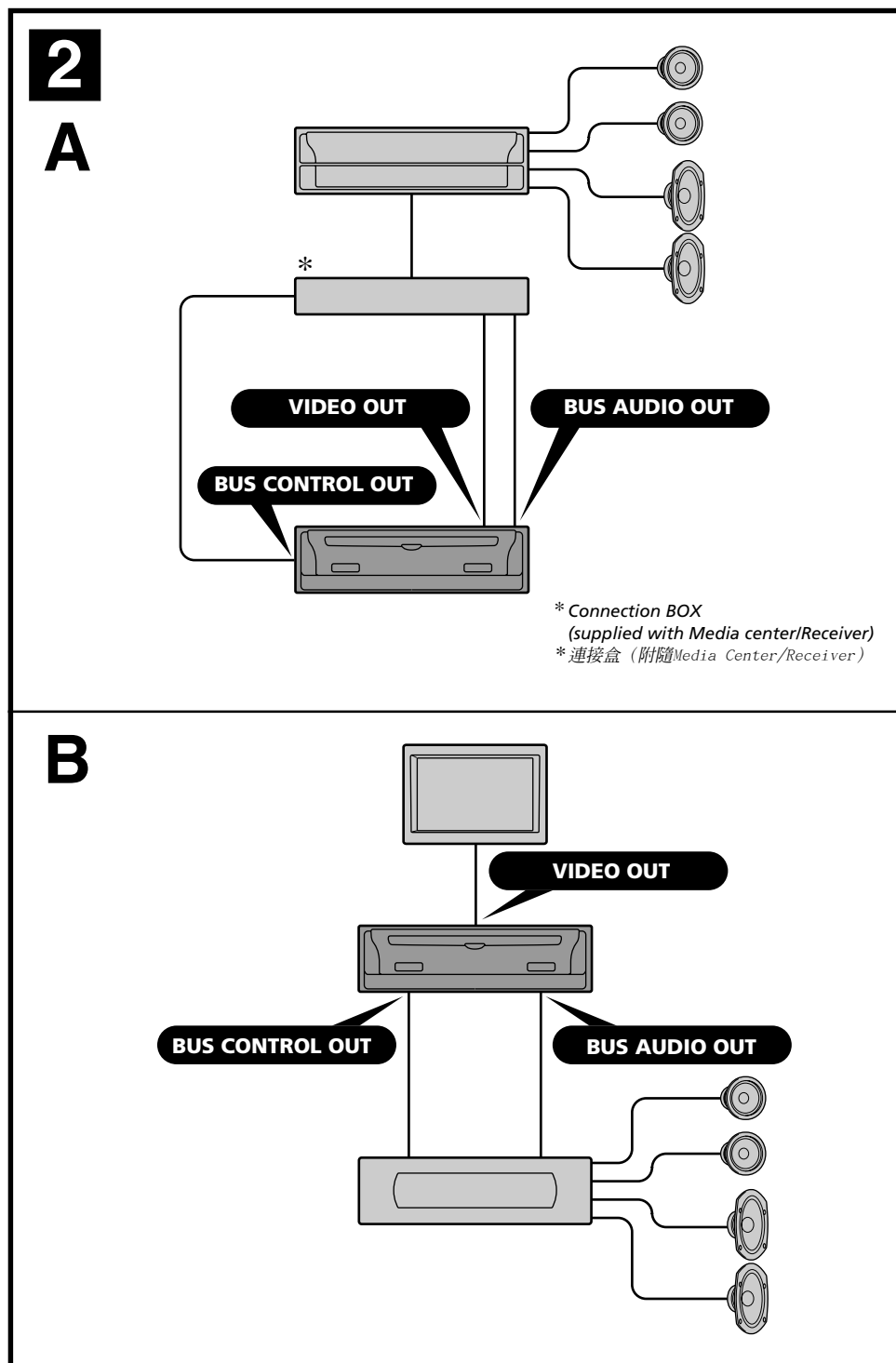
# System up VCD/MP3 Player

Installation/Connections

安裝／線路連接

CSX-V58MP

Sony Corporation © 2002 Printed in Korea



## Cautions

- This unit is designed for negative earth 12 V DC operation only.
- Do not get the wires under a screw, or caught in moving parts (e.g., seat railing).
- Before making connections, turn the car ignition off to avoid short circuits.
- **Read carefully the Installation/Connections manual supplied with both this unit and optional units, before making connections.**
- Be sure to insulate any loose unconnected wires with electrical tape for safety.
- For your safety, the monitor connected to the VIDEO OUT of this unit can only be viewed when the car is stopped and the parking brake is applied.
- Be sure to connect the parking brake cord ⑧ (light green) to the car's parking brake switch cord.

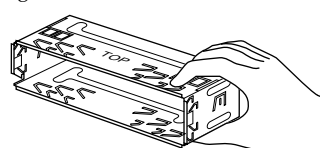
## Parts list (1)

The numbers in the list are keyed to those in the instructions.

The supplied tool ⑫ is necessary for removing the unit. For details, refer to "Removing the unit" in the supplied operating instructions.

## Caution

Handle the bracket ① carefully to avoid injuring your fingers.



## Connection example (2)

This unit must be connected to an optional Sony master unit with BUS control functions, such as Media Center/Receiver XAV-7W.

To use the unit with:

- an optional Media Center/Receiver XAV-7W connected (A).
- an optional monitor and an optional Sony BUS compatible master unit connected (B).

## Connection diagram (3)

## Connecting the parking brake cord (4)

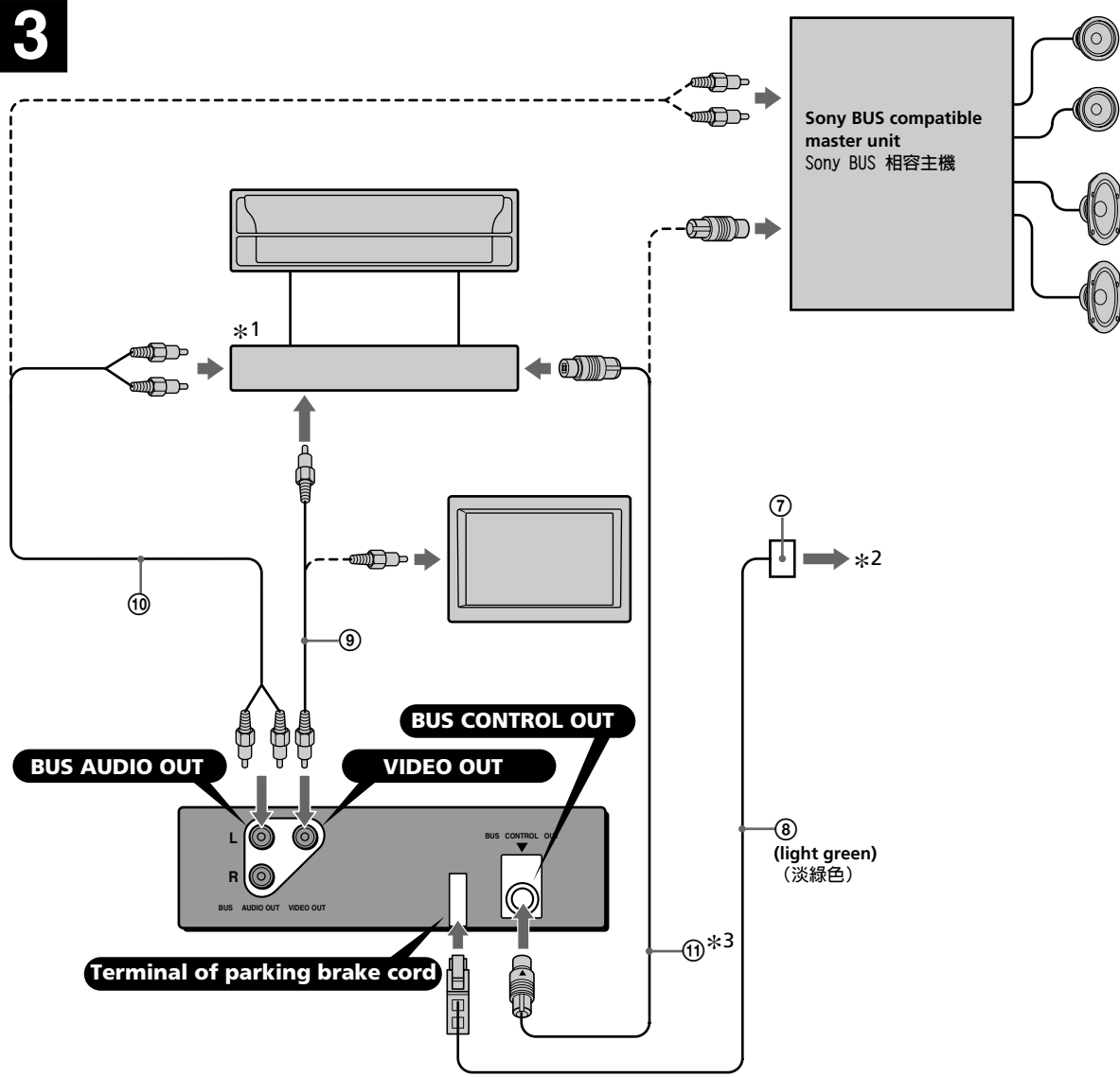
Be sure to connect the parking brake cord ⑧ (light green) to the car's parking brake switch cord, whose mounting position depends on your car. Please consult your car dealer or your nearest Sony dealer for further details.

## Using the pressure terminal

Clasp the end of the parking brake cord ⑧ (light green) and the car's parking brake switch cord with the pressure terminal ⑦.

## Note

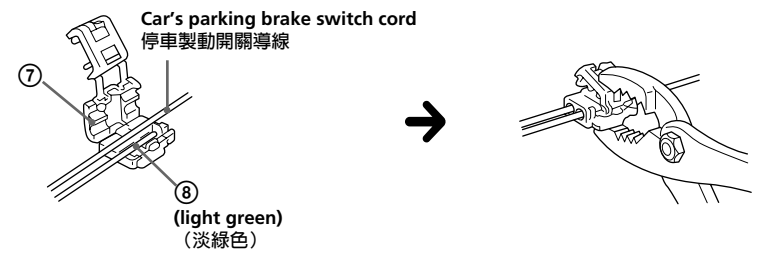
If the car's parking brake switch cord is too thin, connect the parking brake cord ⑧ (light green) to the car's parking brake switch cord directly without using the pressure terminal ⑦.

**3**

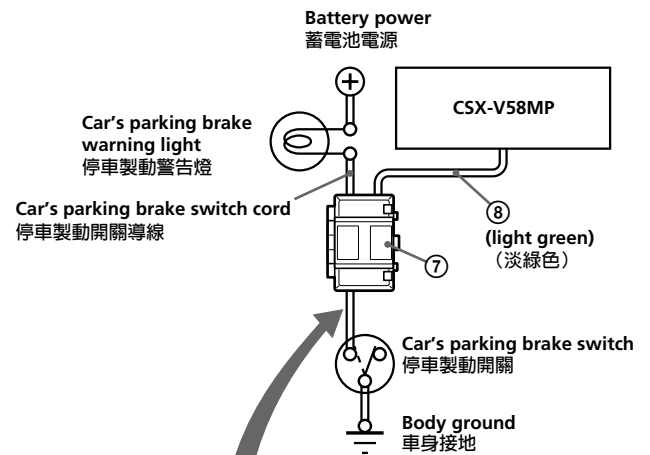
- \*1 Connection BOX (supplied with Media Center/Receiver XAV-7W).  
 \*2 To car's parking brake switch cord.  
 For details, see "Connecting the parking brake cord (4)."  
 \*3 Connect the BUS cable to its terminal with the unit's ▼ mark and the BUS cable's ▲ mark aligned.
- \*1 連接盒 (附隨Media Center/Receiver XAV-7W)。  
 \*2 連接至汽車的停車製動開關導線。詳細說明，請參見“連接停車製動導線 (4)”。  
 \*3 將總線電纜標有 ▲ 標誌的一端連接至本機標有 ▼ 標誌的端子。

**4**

### Using the pressure terminal ⑦ 使用壓力接頭 ⑦

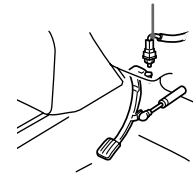


### Connecting the parking brake cord ⑧ (light green) 連連接停車製動導線 ⑧ (淡綠色)



#### Foot parking brake type 腳 (踏) 剎車型

Car's parking brake switch cord  
停車製動開關導線



#### Hand parking brake type 手 (拉) 剎車型

Car's parking brake switch cord  
停車製動開關導線



## 注意

- 本機只能使用負極接地 12 V 直流電源。
  - 不要使導線夾在螺栓下，或繞掛在移動部件上（如：座椅扶手上）。
  - 進行連接之前，請先關閉汽車的點火器，以避免短路。
  - 進行連接之前，請仔細閱讀隨本機和選購裝置一起提供的安裝/線路連接手冊。
  - 為了安全，請確認把沒有連接的導線用電器膠帶包紮進行絕緣。
  - 為了安全，您只能在停車時並使用了停車製動後，才能觀看連接在 VIDEO OUT 電纜上的監視器。
- 請確信將停車製動導線 ⑧ (淡綠色) 連接至汽車的停車製動開關導線。

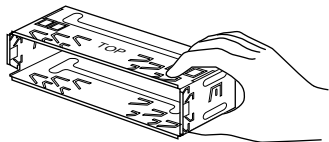
## 零件一覽表 (1)

圖示數字與說明書中的數字是一致的。

取出本裝置需要使用所提供的工具 ⑫。請參見隨機附送使用說明書中的“如何取出本裝置”。

### 注意

移動裝卸支架 ① 時，請特別注意別傷到手指。



## 線路連接圖例 (2)

本裝置必須連接具有BUS功能的選購裝置Sony主機，如 Media Center/Receiver XAV-7W。  
 與下列裝置配合使用：  
 一選購裝置 Media Center/Receiver XAV-7W，按照 (A) 圖連接。  
 一選購的監視器和選購的 Sony BUS 相容主機，按照 (B) 圖連接。

## 線路連接圖 (3)

### 連接停車製動導線 (4)

必須將停車製動導線 ⑧ (淡綠色) 連接至汽車的停車製動開關導線。停車製動開關導線的安裝位置視您的汽車而定。詳細情況請向您的汽車經銷商或就近的 Sony 經銷商諮詢。

#### 使用壓力接頭

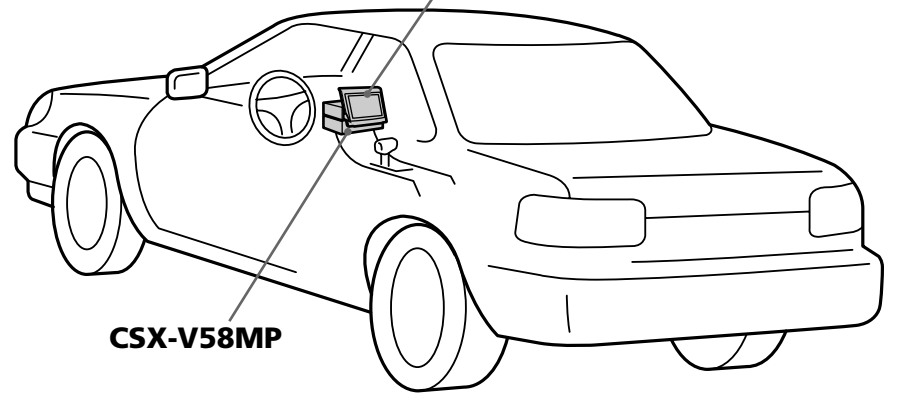
用壓力接頭 ⑦ 將停車製動導線 ⑧ (淡綠色) 的末端和停車製動開關導線扣緊。

#### 註

如果停車製動開關導線很細，可不使用壓力接頭 ⑦，直接將停車製動導線 ⑧ (淡綠色) 連接至停車製動開關導線。

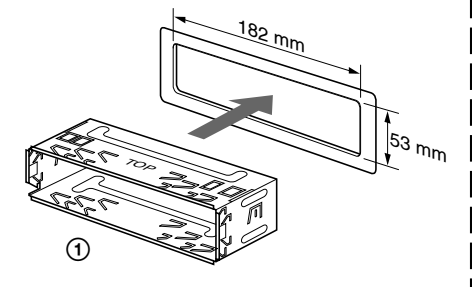
**5**

Media Center/Receiver  
XAV-7W  
Media Center/Receiver  
XAV-7W



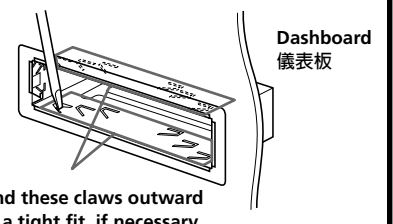
CSX-V58MP

**1**



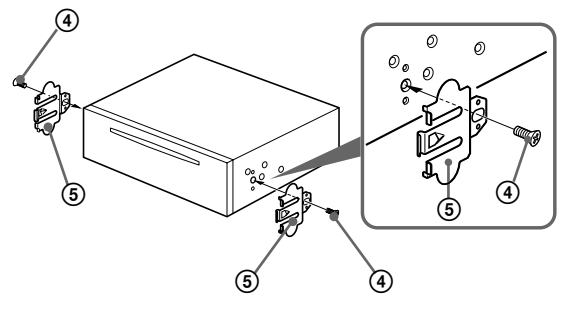
with the TOP marking up  
要使帶 TOP 標記面朝上

**2**

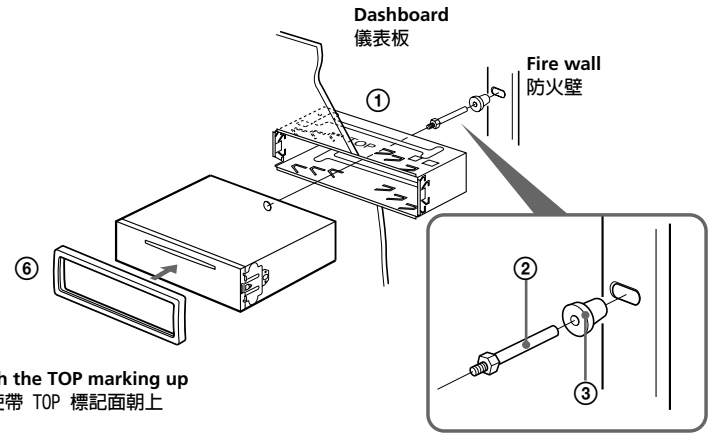


Bend these claws outward  
for a tight fit, if necessary.  
若有必要，則可向外彎曲這些卡爪，  
以便牢固安裝。

**3**

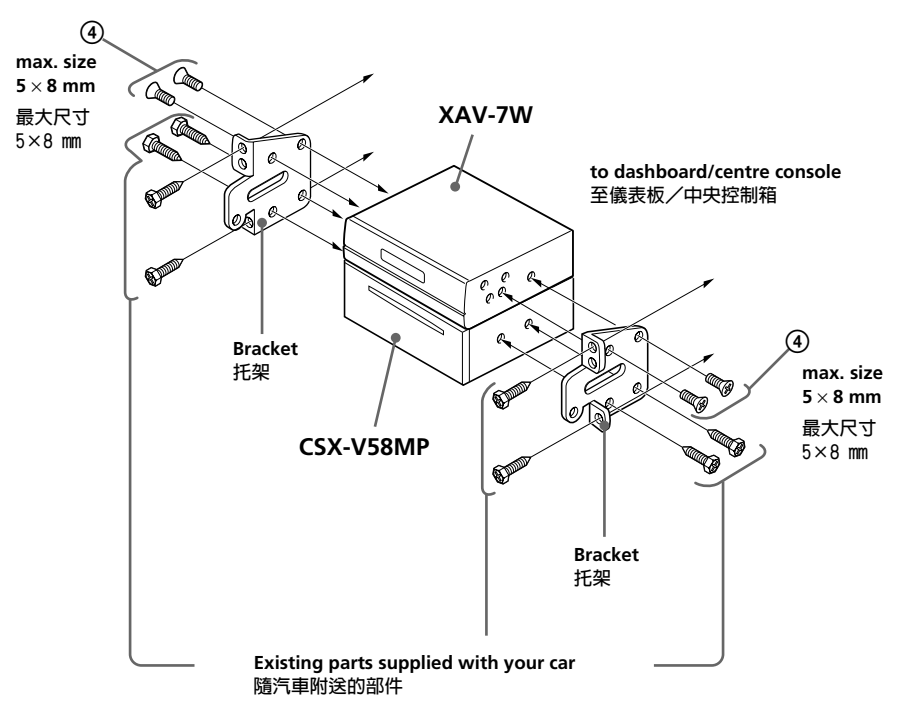


**4**

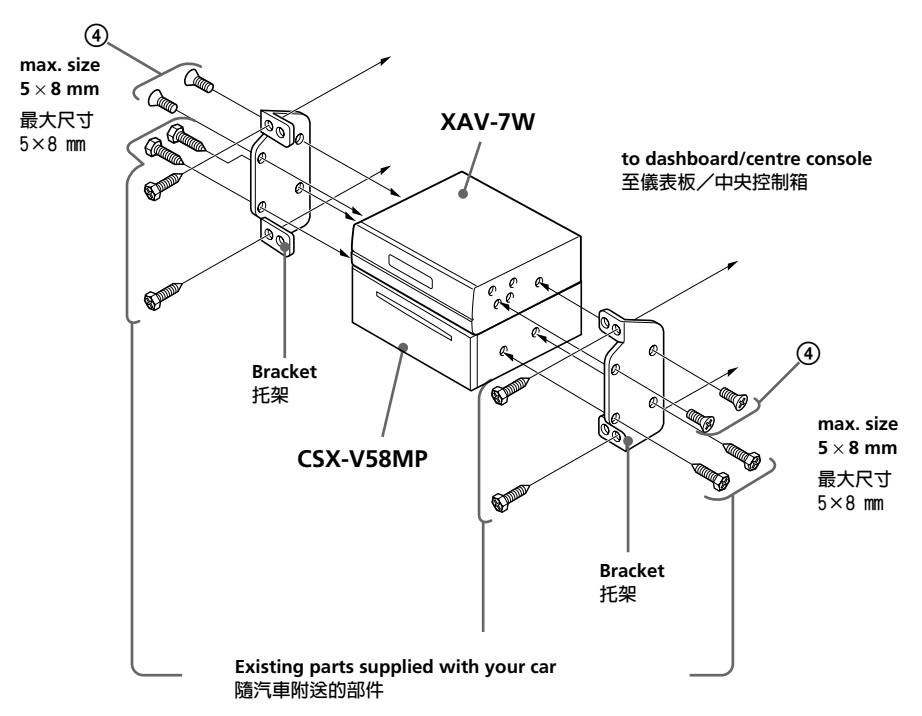


with the TOP marking up  
要使帶 TOP 標記面朝上

**6 A TOYOTA**



**B NISSAN**



## Precaution

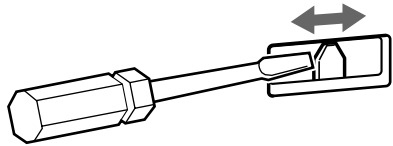
- Choose the installation location carefully so that the unit will not interfere with normal driving operations.
- Avoid installing the unit in areas subject to dust, dirt, excessive vibration, or high temperatures, such as in direct sunlight or near heater ducts.
- Use only the supplied mounting hardware for a safe and secure installation.

### Mounting angle adjustment

Adjust the mounting angle to less than 60°.

## NTSC/PAL select switch

The TV colour system of this unit is factory-set to the NTSC position. If the TV colour system of your country is PAL, set the select switch on the bottom of the unit to PAL.



## Mounting example (5)

### Installation in the dashboard

## Mounting the unit in a Japanese car (6)

You may not be able to install this unit in some makes of Japanese cars. In such a case, consult your Sony dealer.

### Note

To prevent malfunction, install only with the supplied screws ④.

## 使用前注意事項

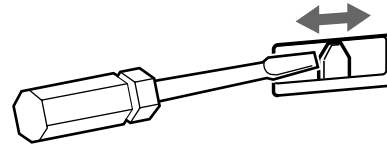
- 仔細選擇安裝位置，使之不妨礙正常的駕駛操作。
- 避免將本機安裝在多塵、髒亂、易受震動、或高溫（如陽光直射或加熱器排氣管附近）等地方。
- 為使安裝安全和可靠，祇能使用提供的安裝零件。

### 安裝角度之調整

請在 60 度以內調整安裝角度。

## NTSC/PAL選擇開關

本裝置的 TV 彩色系統出廠設定在 NTSC 位置。如果您國家的 TV 彩色系統是 PAL，請將位於本裝置底部的選擇開關設定至 PAL。



## 安裝示例 (5)

### 安裝在儀錶板裡

## 將本機安裝於日本產汽車上時 (6)

有的日本產汽車不能安裝本機，在這種情形下，請您向當地的 Sony 經銷商諮詢。

### 註

為防止發生故障，安裝時只能使用附送的螺絲 ④。