

# Microcassette™ - Corder

## Operating Instructions

Xxxxx

Kezelési utasítás (a hátoldalon)

Инструкция по эксплуатации

(см. на обороте)

## M-640V/540V/430

Sony Corporation ©2001 Printed in China

Sony online <http://www.world.sony.com/>

## About This Manual

The instructions in this manual are for 3 models. The M-640V is the model used for illustration purposes. Their differences are shown in the table below:

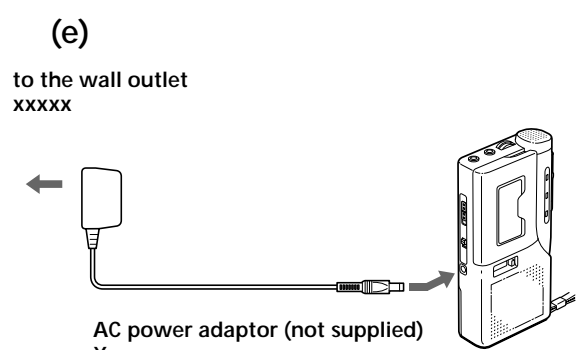
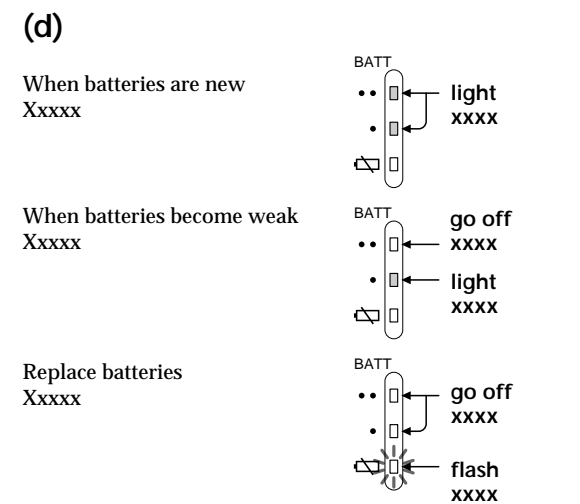
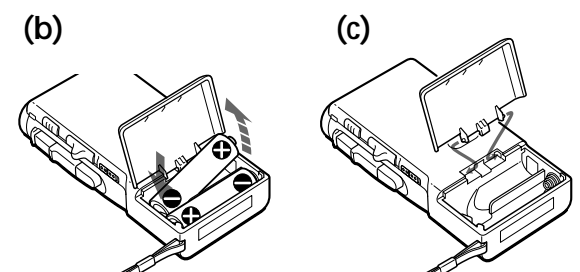
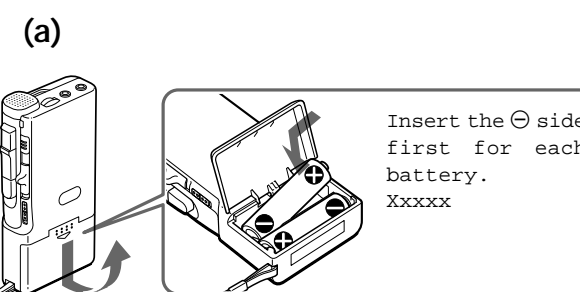
	M-640V	M-540V	M-430
TAPE COUNTER	○	○	—
MIC jack	○	—	—
BATT lamp	○	○	○
		(REC/BATT)	
REC lamp	○	—	—
		(REC/BATT)	
VOR	○	○	—
FAST PB	○	—	—
Handstrap	○	○	—

○: provided or supplied —: not provided or not supplied

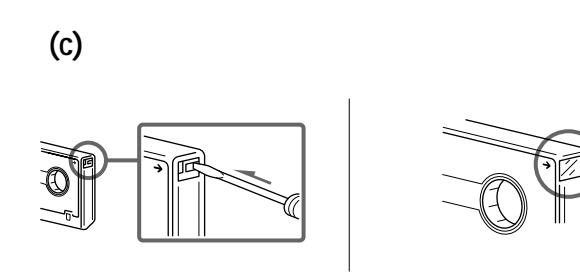
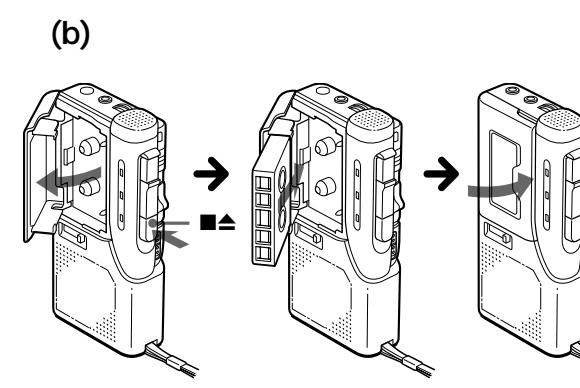
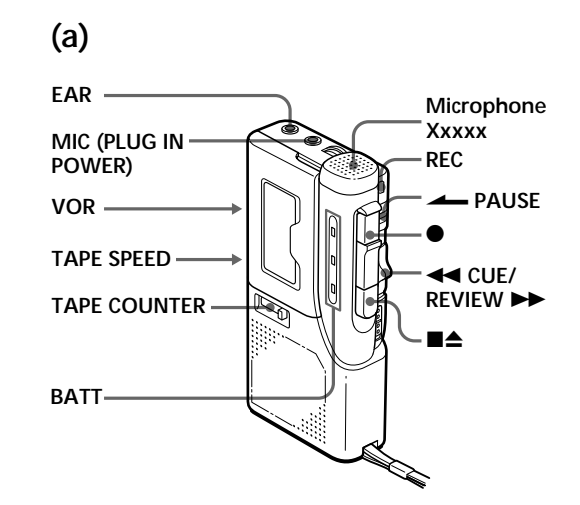
## Xxxxx

Xxxx

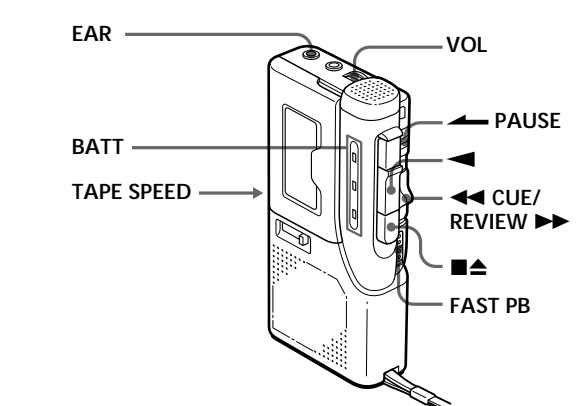
## A



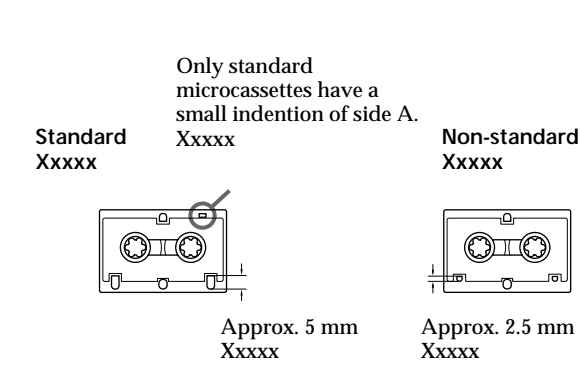
## B



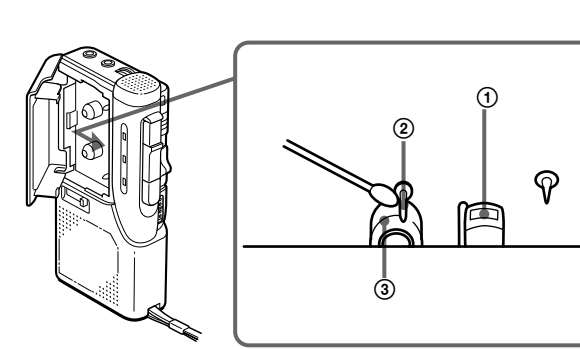
## C



## D



## E



## Preparing Power Sources

Choose one of the following power sources.

### Dry Batteries (see Fig. A-(a))

Make sure that nothing is connected to the DC IN 3V jack.  
 1 Open the battery compartment lid.  
 2 Insert two R6 (size AA) batteries with correct polarity and close the lid.

### To take out the batteries (see Fig. A-(b))

**If the battery compartment lid is accidentally detached (see Fig. A-(c))**  
 Attach it as illustrated.

### When to replace the batteries

For M-540V/430  
 Replace the batteries with new ones when the REC/BATT (M-540V) or BATT (M-430) lamp dims.

For M-640V  
 Replace the batteries with new ones when the BATT lamps go off and the CUE lamp flashes.  
 The BATT lamps change as illustrated. (see Fig. A-(d))

### Notes

- The unit will play back normally for a while, even after the CUE lamp flashes. However, replace the batteries as soon as you can. If you do not, the playback cannot be made with normal sound, noise may be recorded and the recorded sound will not be loud enough (M-640V only).
- In the following cases you do not need to replace the batteries:
  - If the REC/BATT or BATT lamp, or BATT lamps flash with the playback sound when you turn up the volume.
  - If the CUE lamp lights momentarily when the tape starts running or at the end of the tape (M-640V only).
  - If the CUE lamp flashes during FF (CUE) or REW (REVIEW) (M-640V only).

### Battery life (Approx. hours) (EIAJ\*)

Batteries	Recording
Sony manganese R6P (SR)	7
Sony alkaline LR6 (SG)	24

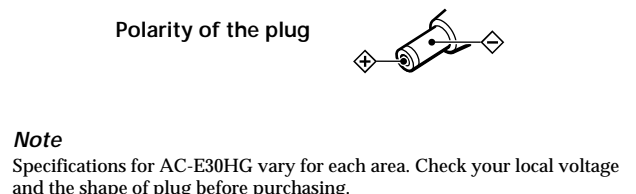
\* Measured valued by the standard of EIAJ (Electronic Industries Association of Japan) (Using a Sony Microcassette)

### Note

The battery life may shorten depending on the operation of the unit.

### House current (see Fig. A-(e))

Connect the AC power adaptor to DC IN 3V and to a wall outlet. Use the AC-E30HG AC power adaptor (not supplied) (For "Sony World Model": in Japan, use the AC-E30M, not supplied). Do not use any other AC power adaptor.



### Note

Specifications for AC-E30HG vary for each area. Check your local voltage and the shape of plug before purchasing.

## Recording (see Fig. B-(a))

Make sure that nothing is connected to MIC (M-640V only).

- Press the reset button of the TAPE COUNTER (M-640V/540V only).
- Press PAUSE and insert a standard microcassette with the side to start recording facing the lid (see Fig. B-(b)).
- Select the desired tape speed.  
 2.4 cm for optimum sound (recommended for normal use): A 30-minute recording can be made using both sides of the MC-30 microcassette.  
 1.2 cm for longer recording time: A 60-minute recording can be made using both sides of the MC-30 microcassette.  
 If you set VOR to H, L or OFF (M-640V/540V only), the unit automatically starts recording the sound and pauses when there is no sound (you can save tapes and batteries).  
 H: To record at meeting or in a quiet and/or spacious place.  
 L: To record for dictation or in a noisy place.  
 When the sound is not loud enough, set it to OFF, or the unit may not start recording.
- Set VOR to H, L or OFF (M-640V/540V only).  
 If you set VOR to H or L, the unit automatically starts recording the sound and pauses when there is no sound (you can save tapes and batteries).  
 H: To record at meeting or in a quiet and/or spacious place.  
 L: To record for dictation or in a noisy place.  
 When the sound is not loud enough, set it to OFF, or the unit may not start recording.
- Press PAUSE. PAUSE is pressed simultaneously and recording starts. While the tape runs, the REC lamp or REC/BATT lamp lights and flashes depending on the strength of the sound (M-640V/540V only). Recording level is fixed.

To	Press or slide
Stop recording	PAUSE
Start recording during playback	PAUSE during playback (the unit becomes in the recording mode)
Review the portion just recorded	Push up CUE/REVIEW toward CUE/REVIEW during the recording. Release the button at the point to start playback.
Pause recording	Slide PAUSE in the direction of the arrow. The REC/BATT (M-540V), BATT (M-430) or REC (M-640V) lamp goes off.
Take out a cassette	PAUSE

### Note

Select the 2.4 cm tape speed for recording. If you play back the recorded tape with another unit. Otherwise, the sound quality may be changed.

### Notes on VOR (Voice Operated Recording) (M-640V/540V only)

- The VOR system depends on the environmental conditions. If you cannot get the desired results, set VOR to OFF.
- When you use the system in a noisy place, the unit will stay in the recording mode. If the sound is too soft, on the contrary, the unit will not start recording. Set VOR to H (high) or L (low) depending on the conditions.

**To monitor the sound**  
 Connect an earphone (not supplied) to EAR jack. The monitor volume cannot be adjusted by VOL.

**To prevent a cassette from being accidentally recorded over (see Fig. B-(c))**  
 Break out and remove the cassette tabs. To reuse the cassette for recording, cover the tab hole with adhesive tape.

## Playing a Tape (see Fig. C)

- Insert a cassette with the side to start playing facing the lid.
- Select the tape speed to the same speed as that used for recording.
- Press PAUSE.
- Adjust the volume.

To	Press or slide
Stop playback/stop fast forward or rewind*	PAUSE
Pause playback	Slide PAUSE in the direction of the arrow. The REC/BATT (M-540V) or BATT (M-430) lamp, or BATT lamps (M-640V) go off.
Fast forward	Slide CUE/REVIEW toward CUE during stop.
Rewind	Slide CUE/REVIEW toward REVIEW during stop.
Search forward during playback (CUE)	Keep CUE/REVIEW pushed down during playback and release it at the point you want.
Search backward during playback (REVIEW)	Keep CUE/REVIEW pushed up during playback and release it at the point you want.

\* If you leave the unit after the tape has been wound or rewound, the batteries will be consumed rapidly. Be sure to depress PAUSE.

### Note

If the tape is completely wound or rewound while searching forward/backward during playback (CUE/REVIEW), the CUE/REVIEW switch may not return to the center position when you release the switch. In this case, push back the switch to the center to start playback.

If you plug in headphones (not supplied) to the EAR jack, you will get monaural output from both left and right channels.

**To increase the playback speed (M-640V only)**  
 Slide the FAST PB switch in the direction of the arrow. The playback speed will be increased. To return to the original speed, slide the FAST PB switch to the original position.

### At the end of the tape

In the recording or playback mode, the tape stops at the end of the tape and the locked buttons will be released automatically (Automatic shut-off mechanism). After fast forward or rewind, be sure to set CUE/REVIEW back to the center.

## Recording/Playback with the Connected Equipment (M-640V only)

### Recording from another tape recorder

Connect another tape recorder to the MIC jack using the RK-C64HG connecting cord (not supplied) (For "Sony World Model": in Japan, use the RK-G64, not supplied). Set this unit to the recording mode and another tape recorder to the playback mode. In this case set VOR to OFF.

### Recording with an External Microphone

Connect a microphone to the MIC jack. Use a microphone of low impedance (less than 3 kilohms) such as ECM-T6 (not supplied). When using a plug-in-power system microphone, the power to the microphone is supplied from this unit.

### Note

When recording with an external microphone, the VOR system may not work properly because of the difference in sensitivity.

## Precautions

### On power

- Operate the unit only on 3 V DC.
- For AC operation, use the AC adaptor recommended for the unit. Do not use any other type. For battery operation, use two R6 (size AA) batteries.

### On the unit

- Use only the MICROCASSETTE™ (standard microcassettes) with this unit. Non-standard cassettes cannot be used because their "L" dimension (see illustration) is different (see Fig. D).
- Do not leave the unit in a location near heat sources, or in a place subject to direct sunlight, excessive dust or mechanical shock.
- Should any solid object or liquid fall into the unit, remove the batteries or disconnect the AC power adaptor, and have the unit checked by qualified personnel before operating it any further.
- Keep personal credit cards using magnetic coding or spring-wound watches etc. away from the unit to prevent possible damage from the magnet used for the speaker.
- When you do not use the unit for long, remove the batteries to avoid damage caused by battery leakage and subsequent corrosion.
- If the unit has not been used for long, set it in the playback mode and warm it up for a few minutes before inserting a cassette.

If you have any questions or problems concerning your unit, please consult your nearest Sony dealer.

## Troubleshooting

Should any problem persist after you have made these checks, consult your nearest Sony dealer.

- A cassette cannot be inserted.**
  - The cassette is being inserted in the wrong way.
  - PAUSE has been already pressed.
- Playback cannot be made.**
  - The tape has reached the end. Rewind the tape.
  - The batteries are weak. Replace both batteries with new ones.
  - The head is contaminated.
- Recording cannot be made.**
  - There is no cassette in the cassette compartment.
  - The cassette tab has been removed.
  - The batteries are weak. Replace both batteries with new ones.
  - The head is contaminated.
  - Improper setting of the VOR switch (M-640V/540V only).
- Recording is interrupted.**
  - The VOR switch (M-640V/540V only) is set to H or L.
  - When you do not use VOR, set it to OFF.
- During CUE/REVIEW the tape stops or does not run. You cannot fast-forward or rewind.**
  - The batteries are weak. Replace both batteries with new ones.
- The unit does not operate.**
  - The batteries have been inserted with incorrect polarity.
  - The batteries are weak. Replace both batteries with new ones.
  - PAUSE is slid in the direction of the arrow.
  - The AC power adaptor is connected to the unit only and you are going to use the unit on batteries.
- No sound comes from the speaker.**
  - The earphone is plugged in.
  - The volume is turned down completely.
- The sound drops out or comes with excessive noise.**
  - The volume is turned down completely.
  - The batteries are weak. Replace both batteries with new ones.
  - The head is contaminated. See "Maintenance".
- Tape speed is too fast or too slow in the playback mode.**
  - Improper setting of the TAPE SPEED switch. Set it to the same speed as that used for recording.
- Tape speed is faster than the normal playback speed.**
  - The FAST PB switch (M-640V only) is slid in the direction of the arrow.
- Recording cannot be erased completely.**
  - The head is contaminated.

## Maintenance (see Fig. E)

### To clean the tape head and path

Press PAUSE and wipe the head ①, capstan ② and the pinch roller ③ with a cotton swab, moistened with alcohol every 10 hours of use.

### To clean the exterior

Use a soft cloth slightly moistened in water. Do not use alcohol, benzine or thinner.

## Specifications

- Tape: MICROCASSETTE™ (normal position type)
- Recording system: 2-track 1-channel monaural
- Speaker: Approx. 3.6 cm (1 1/8 in.) dia.
- Tape speed: 2.4 cm/s (1 1/8 ips), 1.2 cm/s (1/2 ips)
- Frequency range: 300 - 4,000 Hz (with TAPE SPEED switch at 2.4 cm/s)
- Input (M-640V only): Microphone input jack (minijack/PLUG IN POWER) sensitivity 0.24 mV for 3 kilohms or lower impedance microphone
- Output: Earphone jack (minijack) for 8 - 300 ohms earphone
- Power output (at 10% harmonic distortion): M-640V/540V: 250 mW, M-430: 160 mW
- Power requirements: 3 V DC batteries R6 (size AA) x 2/External DC 3V power sources
- Dimensions (w/h/d): Approx. 62.2 x 121.5 x 24.3 mm (2 1/2 x 4 7/8 x 3/4 in.) incl. projecting parts and controls
- Mass: Approx. 125 g (4.5 oz)
- Supplied accessories: Microcassette tape MC-30 (1) (M-640V/540V for Europe only), Batteries R6P (SR) (2) (M-640V for Europe and "Sony World Model" only), Carrying pouch (1) (M-640V for Europe and "Sony World Model" only)

Design and specifications are subject to change without notice.



