

Video Cassette Recorder

Mode d'emploi

FR

Operating instruction

CT

VHS

Hi-Fi



SLV-N51

Table of contents

This manual shows the basic setup to use the VCR.
For details, refer to the English or French Operating Instructions.

2 Hookups

- 2 Hookup A (Plug and Play) : You have no cable box, or a cable box with only a few scrambled channels
- 3 Hookup A : VCR setup
- 4 Hookup B : Connecting a cable box with many scrambled channels
- 5 Hookup B : VCR setup

6 Setting the clock

Back Cover

Quick reference to using the VCR

Hookups

Hookup A (Plug and Play)

You have no cable box, or a cable box with only a few scrambled channels

Recommended use

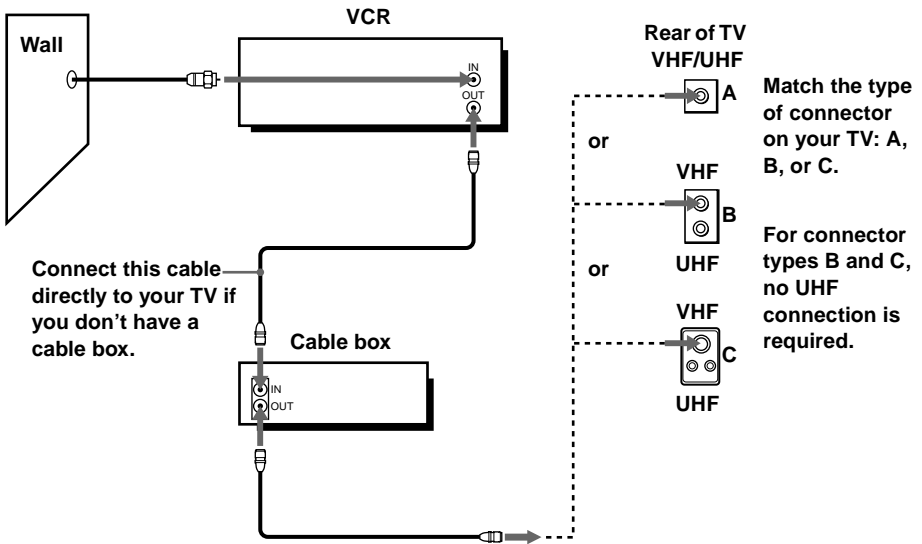
Use this hookup if you do not have a cable box. Also use this hookup if your cable system scrambles only a few channels.

What you can do with this hookup

- Record any unscrambled channel by selecting the channel on the VCR

What you can't do

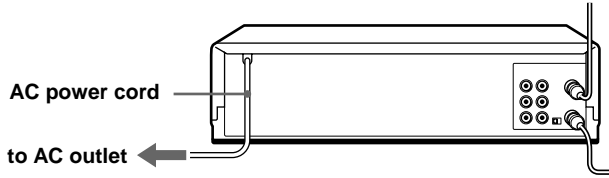
- Record scrambled channels that require a cable box



Hookup A : VCR setup

Plug the VCR into the AC outlet.

The VCR automatically presets the VCR's clock and TV channels when the VCR is plugged into the AC outlet.



The VCR starts presetting the clock and channels.



When Auto preset is completed, the current time appears in the display window.



You have now completed VCR setup.

Notes

- If you connect the AC power cord before the antenna connections are completed, the channels may be incorrectly set. If this happens, see step 3 of "Hookup B : VCR setup" on page 5.
- Do not press any buttons on the VCR or remote commander during Auto preset.

continued

Hookup B

Connecting a cable box with many scrambled channels

Recommended use

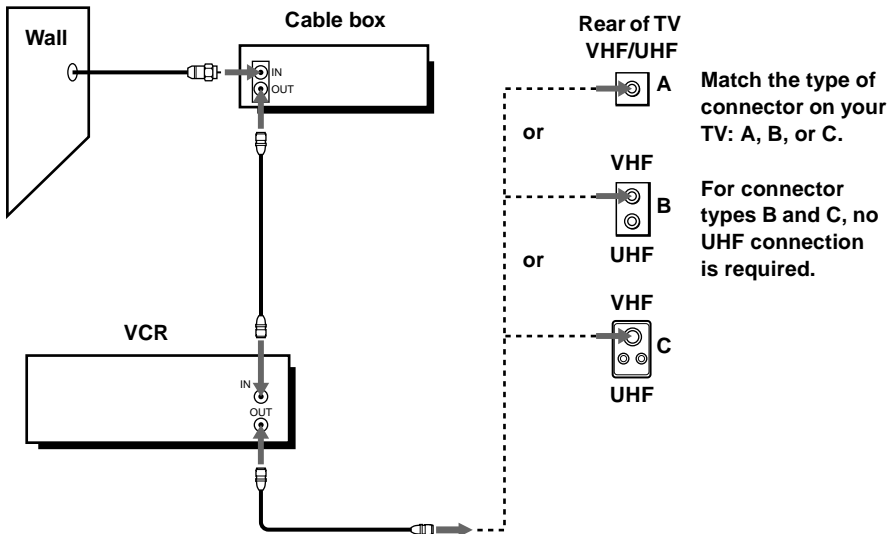
Use this hookup if your cable system scrambles all or most channels.

What you can do with this hookup

- Record any channel by selecting the channel on the cable box

What you can't do

- Record with the cable box turned off
- Record one channel while watching another channel

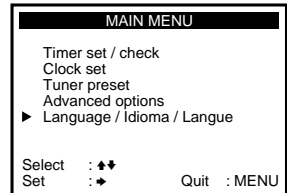


Hookup B : VCR setup

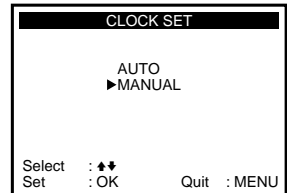
Before you start...

- Turn on the VCR and the TV.
- Set the CH switch on the rear of the VCR to 3 or 4, whichever channel is not used in your area. If both are used, set the switch to either channel. If your TV is connected to the VCR using A/V connections, set the TV to video input.
- Press TV/VIDEO to display the VCR indicator in the VCR's display window.
- Turn on your cable box.

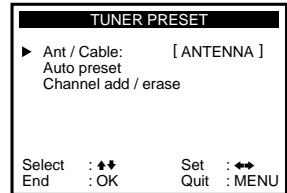
- 1** Change the on-screen display language to Spanish or French if desired. Press MENU, then press **↑/↓** to select "Language/Idioma/Langue." Press **→** to select the language.



- 2** Press **↑/↓** to select "Clock set," then press OK. Select MANUAL and press OK. Then set the clock manually and press OK. For details, see page 6.



- 3** Press **↑/↓** to select "Tuner preset," then press OK. Select "Ant/Cable" and press **←/→** to select ANTENNA. Select "Auto preset," then press OK.

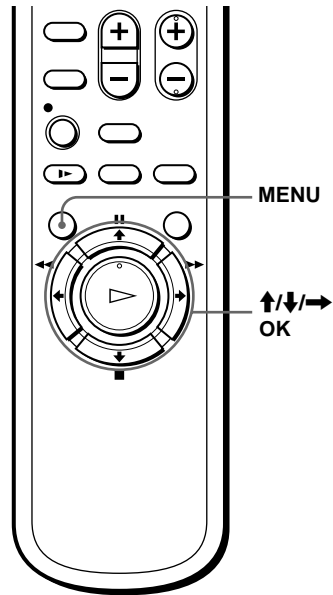


Setting the clock

Set the time and date to use the timer feature for recording programs.

Before you start...

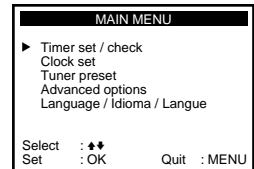
- Turn on the VCR and the TV.
- Set the TV to the VCR channel (channel 3 or 4). If your TV is connected to the VCR using A/V connections, set the TV to video input.
- Press TV/VIDEO to display the VCR indicator in the VCR's display window.



1



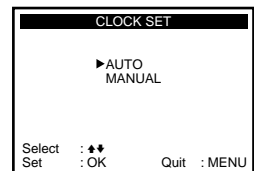
Press MENU.



2



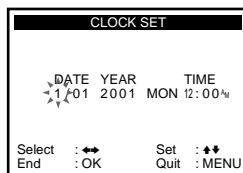
Press **↑/↓** to move the cursor (▶) to “Clock set,” then press OK.



3



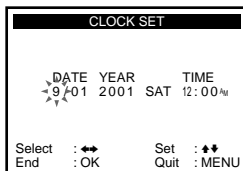
Press **↑/↓** to select MANUAL, then press OK.



4



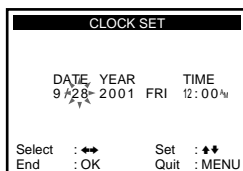
Press **↑/↓** to set the month.



5



Press **→** to flash the day and press **↑/↓** to set the day.



6

Set the year, hour, and minutes in the same way as the day.
The day of the week is set automatically.

7



Press OK or MENU to start the clock.

MENU



Quick reference to using the VCR

Hookup A

To play a tape

- 1 If you made A/V connections, set the TV to video input. If you didn't use A/V hookup:
 - Turn on the cable box.
 - Set the cable box to channel 3 or 4.
 - Set the TV to the output channel of the cable box (usually 2, 3, or 4).
- 2 Insert a tape and press ▷ PLAY.

To record a program

- 1 Press MENU and select "Timer set/check."
- 2 Set the channel, time, date, and tape speed.
- 3 Press OK.
- 4 Insert a tape.
- 5 Press I/⏻ to turn off the VCR.

To watch TV

- 1 Turn off your VCR, or press the VCR's TV/VIDEO button until the VCR indicator in the display window turns off.
- 2 Select the channel with your cable box (if you have one) or with your TV.

Hookup B

To play a tape

- 1 Set the TV to channel 3 or 4 (or to video input, if you made A/V connections).
- 2 Insert a tape and press ▷ PLAY.

To record a program

- 1 Turn on the cable box.
- 2 Set the cable box to the channel you want to record.
- 3 Press MENU and select "Timer set/check."
- 4 Set the channel, time, date, and tape speed.
- 5 Press OK.
- 6 Insert a tape.
- 7 Press I/⏻ to turn off the VCR.
Leave the cable box on.

To watch TV

- 1 Turn off your VCR, or press the VCR's TV/VIDEO button until the VCR indicator in the display window turns off.
- 2 Turn on your cable box.
- 3 Set the TV to the cable box output channel (usually 2, 3, or 4).
- 4 Set the cable box to the channel you want to watch.