

# Sports Pack

Operating Instructions  
Mode d'emploi  
Manual de instrucciones  
Gebruiksaanwijzing

## SPK-PC3

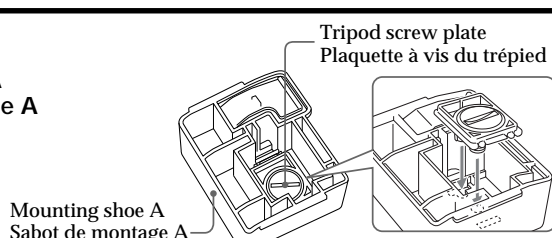
Sony Corporation ©2000 Printed in Japan

### A

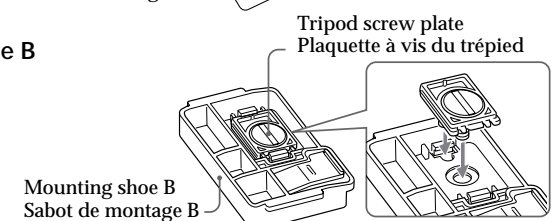
mounting shoe sabot de montage	model modèle
A	DCR-PC5/PC5E/PC4E
B	DCR-PC3/PC3E/PC2E/PC1
C	DCR-PC10/PC7

### B

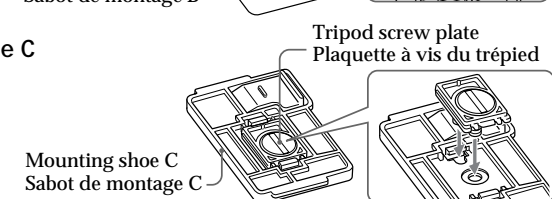
#### Mounting shoe A Sabot de montage A



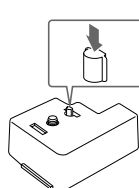
#### Mounting shoe B Sabot de montage B



#### Mounting shoe C Sabot de montage C



#### To disassemble after using Pour le démontage après utilisation



### C



## English

### Owner's Record

The model and serial numbers are located on the bottom. Record the serial number in the space provided below. Refer to these numbers whenever you call upon your Sony dealer regarding this product.

Model No. **SPK-PC3** Serial No. \_\_\_\_\_



This mark indicates that this product is a genuine accessory for Sony video products. When purchasing Sony video products, Sony recommends that you purchase accessories with this "GENUINE VIDEO ACCESSORIES" mark.

Usable at the depth as low as 2 meters (6.5 feet) under water.

For using your video camera recorder with this pack, refer to the operating instructions of the recorder.

The splash-proof sports pack SPK-PC3 is water- and moisture- resistant, making it possible to use the Sony Digital Handycam camcorder such as DCR-PC5/PC5E/PC4E/PC3/PC3E/PC2E/PC1, in the rain or at the beach.

#### Notice

- Before you start recording, make sure that the camcorder is working correctly and there is no water leakage.
- Sony does not accept liability for damage to the camcorder, battery, etc., when using the sports pack or for the cost of recording if water leakage occurs as a result of incorrect use.

### Precaution

- Do not subject the front glass to strong shock, as it may crack.
- Avoid opening the sports pack in the sea or at the beach. Preparation such as installing and changing a cassette tape should be done in a place with low humidity and no salty air.
- Do not throw the sports pack into the water.
- Avoid using the sports pack under the following situations:
  - In a very hot or humid place.
  - In water hotter than 40°C (104°F).
  - at temperatures lower than 0°C.
- In these situations moisture condensation or water leakage may occur and damage the equipment.
- Use the sports pack for no longer than one hour at a time in temperatures above 35°C (95°F).
- Do not leave the sports pack under direct sunlight for a long period of time. If you cannot avoid leaving the sports pack under direct sunlight, be sure to cover the pack with a towel or other protection.

### Before You Begin

To make sure that you do not miss good shooting opportunities, go over the following checklist before installing your camcorder into the sports pack.

#### Notes

- When using DCR-PC10 or DCR-PC7, prepare the VMC-LM7 adaptor (not supplied).
- When recording with this pack, we recommend you to use the battery pack of larger capacity, such as NP-FS31/FS21/F30/F20/F300/F200.

Battery pack	Fully charged.
Cassette tape	<ul style="list-style-type: none"> <li>• The tape length will cover the planned recording time.</li> <li>• The tape is wound to the point where you want to start recording.</li> <li>• The safety tab on the cassette is in the correct position. (The red portion is not visible.)</li> </ul>
Waterproof gasket	<ul style="list-style-type: none"> <li>• No scratches or cracks. No dust, sand or hair around the gasket.</li> <li>• Correctly set in the groove. (See "Note on the Waterproof gasket" for details.)</li> </ul>

### Maintenance and Precautions

#### Water Leakage

If water happens to leak in, stop exposing the sports pack to water immediately. If the camcorder gets wet, take it to the nearest Sony service facility immediately.

#### Note on the Waterproof Gasket

- Check that there are no scratches or cracks on the waterproof gasket, the groove which may allow water to leak in. If there are scratches or cracks, replace the damaged waterproof gasket with a new one.
- Do not remove the waterproof gasket with a metal tool or a tool with a sharp point.
- Put the waterproof gasket in the grooves evenly, with the tapering side up. Never twist it. (See illustration **B**.)
- Remove foreign materials such as dust, sand or hair from the waterproof gasket, the groove and from any surface the gasket touches. If the body is closed with such materials present, these areas may be damaged and water may leak in.
- After checking that there are no cracks or dust on the waterproof gasket, coat it slightly with the supplied grease using your finger. This will prevent wearing.
- While applying the grease, recheck for cracks or dust.
- Never use cloth or paper for greasing as the fibers may cling.
- Do not use any type of grease other than that supplied, as it may damage the waterproof gasket.
- The useful life of the waterproof gasket depends upon the maintenance and the frequency of use, but we recommend changing it once a year. To replace the waterproof gasket, please consult the nearest Sony dealer. Be sure to check the water leakage after replacing the waterproof gasket.

#### Checking for the water leakage after replacing the waterproof gasket

Check for the water leakage before installing the camcorder.

Close the sports pack without installing the camcorder, and keep the sports pack submerged under water at a depth of about 15 cm (6 inches) for about 3 minutes and then check for water leakage.

#### After Recording

After recording in a location subject to sea breezes, wash the sports pack with fresh water with the buckles fastened thoroughly, then wipe with a soft dry cloth. If water remains on the sports pack, the metal parts may rust. Clean the inside of the pack with a soft dry cloth. Do not wash the inside of the pack. Do not use any type of solvent such as alcohol, benzine or thinner for cleaning, as this might damage the finish.

#### Preventing the surface of the glass from fogging up

Coat the surface of the glass with the supplied anti-fogging lens solution. This is effective in preventing from fogging.

#### How to use the glass cleaner

Apply 1 or 2 drops of cleaner liquid to the front glass and the glass of the eye cup and wipe evenly to spread the liquid out by using swabs, a soft cloth or tissue paper.

#### When storing the sports pack

- Attach the spacer supplied with your sports pack to prevent wear of the waterproof gasket. (See illustration **M**.)
- Prevent dust from collecting on the waterproof gasket.
- Avoid storing the sports pack in a cold, very hot or humid place, or together with naphthalene or camphor, as these conditions might damage the unit.

### Specifications

#### Material

Plastic (PC, ABS), glass

#### Waterproof

Waterproof gasket, buckle

#### Available operations with the unit attached

- Turning on/off the POWER switch when recording or playing back.
- Recording a still image on a tape (DCR-PC5/PC5E/PC4E/PC3/PC3E/PC2E/PC1 only)
- Zooming

#### Built-in microphone

Stereo

#### Dimension

Approx. 150 × 170 × 110 mm (w / h / d)

#### Mass

Approx. 550 g (only sports pack)

#### Supplied accessories

- Shoulder strap (1)
- Camera mounting shoe A(1)/B(1)/C(1)
- Tripod screw plate (1, pre-installed on the camera mounting shoe A)
- Reflex prevention ring (2)
- Grease (1)
- Anti-fogging lens solution (1)
- Operating Instructions (1)

Design and specifications subject to change without notice.

### Preparing

For details, please refer to the operating instructions supplied with your camcorder.

#### A Selecting the Camera Mounting Shoe

Depending on the location of the screw hole for attaching the camera mounting shoe of your camcorder, you have a choice of three types of camera mounting shoe. Check list **A** to identify the appropriate mounting shoe.

#### B Preparing the Camera Mounting Shoe

Align the tripod screw plate to the notch of the mounting shoe A, B or C. The tripod screw plate is pre-installed on the camera mounting shoe A.

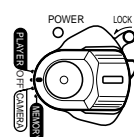
#### C Preparing the Camcorder

For details, please refer to the operating instructions supplied with your camcorder.

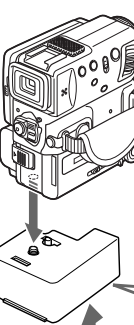
- 1 Remove the shoulder strap, lens cap, filter or conversion lens from the camcorder.
- 2 Install the battery pack. Be sure to use a fully charged battery pack.
- 3 Insert the cassette tape.
- 4 When shooting with the LCD screen, turn the LCD panel over and move back to the camcorder with the LCD screen facing out.
- 5 Set all the adjustments of the camcorder to automatic mode.
- 6 Set the FOCUS switch to AUTO.
- 7 Set the finder power save function to OFF in the menu.
- 8 Set the START/STOP MODE switch to **▶**.
- 9 When using DCR-PC10 or DCR-PC7, attach the VMC-LM7 adaptor (not supplied).
- 10 When shooting with the viewfinder using DCR-PC5/PC5E/PC4E/PC3/PC3E/PC2E/PC1, pull out the viewfinder to its fullest. When the viewfinder is not pulled out until it clicks, the picture does not appear in the viewfinder even if the LCD panel is closed. (DCR-PC5/PC5E/PC4E/PC3/PC3E/PC2E only)

### D

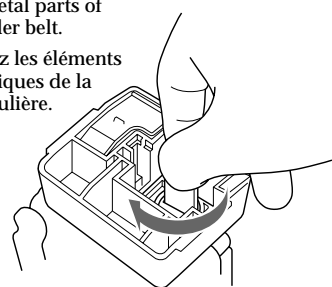
#### 1



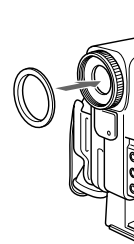
#### 2



Use metal parts of shoulder belt.  
Utilisez les éléments métalliques de la bandoulière.



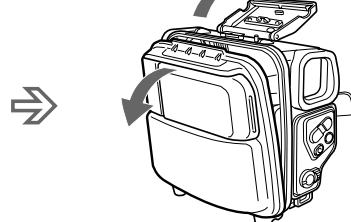
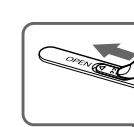
#### 3



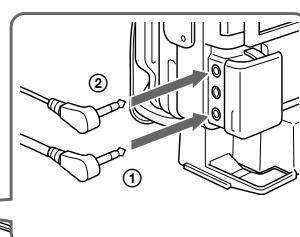
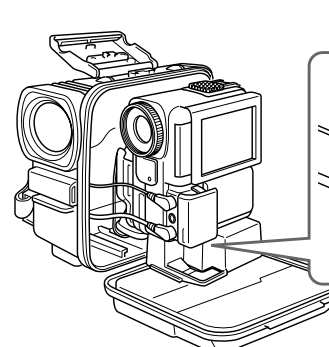
#### 4



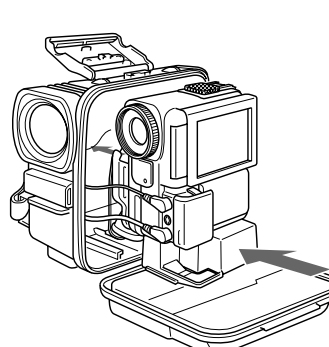
#### 5



#### 7



#### 8



### D Installing the Camcorder

- 1 Set the POWER switch of the camcorder to OFF.
- 2 Attach the camera mounting shoe. Use the metal parts of shoulder strap as shown in the illustration.
- 3 Attach the reflex prevention ring. For DCR-PC5/PC5E/PC4E/PC3/PC3E/PC2E/PC1 (mounting shoe A): Use the small ring with 30 mm in filter diameter. For DCR-PC10/PC7 (mounting shoe B): Use the large ring with 37 mm in filter diameter.

#### Note

Do not tighten the reflex prevention ring too tightly. This may make it harder for you to remove the reflex prevention ring.

- 4 Check the POWER switch of the sports pack is set to OFF.
- 5 Release the buckle.
  - ① Slide the unlock button in the direction of the arrow, and release the buckle.
  - ② Open the side body. The black rubber part is a spacer. Keep the spacer since you will need it to store the unit.
- 6 Remove the sand or dust. Check there are no dust, sand or cracks on the waterproof gasket or the surface where it touches, and grease them slightly.
- 7 Connect the remote control plug to LANK **⚡** (remote) jack sliding the camera mounting shoe a short way into the sports pack (①), and the microphone plug to MIC (plug in power) jack (②). When using DCR-PC10 or DCR-PC7, connect the plugs to the VMC-LM7 adaptor (not supplied).
- 8 Install the camcorder. Check the lens and the LCD screen is clean before installing the camcorder. Push the camera mounting shoe until it clicks.
- 9 Close the side body. Secure the side body, and fasten the buckle until it clicks.

#### Notes

- You cannot change the battery pack after attaching the mounting shoe (DCR-PC3/PC3E/PC2E/PC1 only).
- When closing the side body, be careful not to pinch the cable. Otherwise, these parts may be damaged or water may leak in. When using DCR-PC3/PC3E/PC2E, fit the jack cover rightly to S video jack before installing the camcorder. Otherwise, the jack cover may rotate and be pinched.
- Fold the grip strap as illustrated, and attach the camera mounting shoe. (See illustration **D-2**.) (DCR-PC5/PC5E/PC4E only)

#### E How to place the connecting cord

If the connecting cord is not placed correctly when closing the side body, water leakage may occur. Place the cord correctly. (See illustration **E**.)

#### F Preparing the Sports Pack

- 1 Adjust the grip strap. Holding the sports pack so that the tips of your finger can easily touch the POWER switch, START/STOP button and ZOOM button, pull the strap to adjust its length.
- 2 Attach the shoulder strap. The Sony mark should be on the outside.

### Using the Sports Pack

#### G Recording

- 1 Turn the POWER switch to CAMERA.
- 2 Press START/STOP button to start recording.

#### To stop recording

Press START/STOP. Press again to resume recording.

#### To finish recording

Press START/STOP button then turn the POWER switch to OFF.

#### Zooming

- Keep the W side pressed for wide-angle.
- Keep the T side pressed for telephoto. Press it gently for a relatively slow zoom.

#### Notes on recording

- If you leave the camcorder for 5 minutes or more with a cassette inserted in Standby mode, the camcorder goes off automatically. This prevents battery and tape wear. To resume Standby mode, turn the POWER switch to OFF and then turn it to CAMERA again.
- During recording when the LCD screen is facing out, the counter does not appear.
- The POWER switch of the sports pack has priority over the POWER switch of the camcorder.
- If a drop of water sticks to the front glass, press the zoom button to adjust the focus.

### Troubleshooting

Symptom	Cause	Corrective Actions
The sound is not recorded.	The microphone plug is not connected.	Connect it to MIC (plug in power) jack on the camcorder.
There are drops of water inside of the sports pack.	<ul style="list-style-type: none"> <li>• The buckles are not fastened.</li> <li>• The waterproof gasket is not set correctly.</li> <li>• There are scratches or cracks on the waterproof gasket.</li> </ul>	<ul style="list-style-type: none"> <li>• Fasten the buckles until they click.</li> <li>• Put the gasket in the groove evenly.</li> <li>• Replace the gasket with a new one.</li> </ul>
The recording and playback function does not work.	<ul style="list-style-type: none"> <li>• The battery pack is run out.</li> <li>• The tape has run out.</li> <li>• The safety tab on the cassette is set to unrecordable position.</li> </ul>	<ul style="list-style-type: none"> <li>• Recharge the battery pack fully.</li> <li>• Wind the tape or use a new one.</li> <li>• Slide the safety tab or install a new cassette tape.</li> </ul>





