

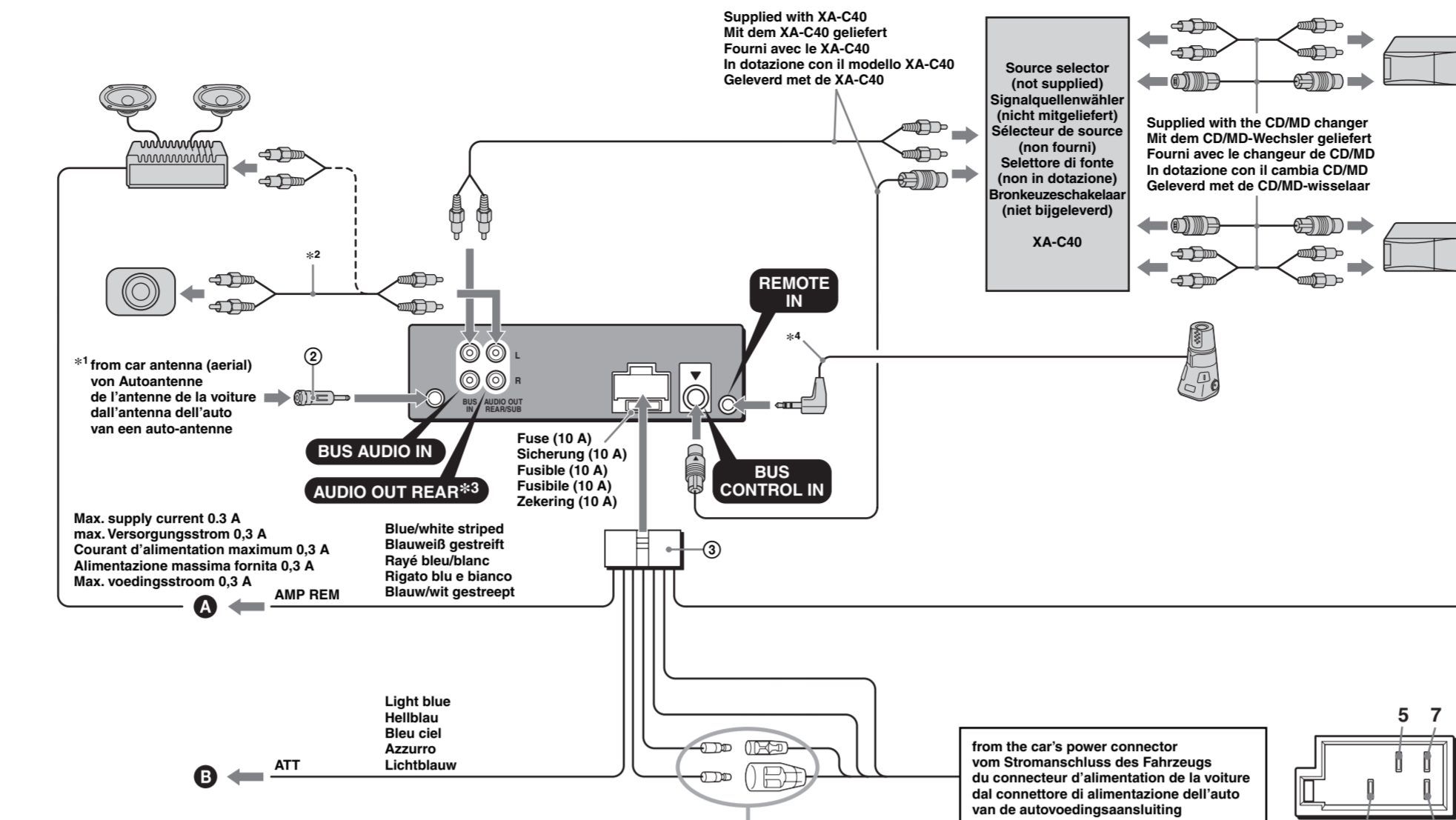
# FM/MW/LW Compact Disc Player

- Installation/Connections
- Installation/Anschluss
- Installation/Connexions
- Installazione/Collegamenti
- Montage/Aansluitingen

## CDX-GT315C

© 2006 Sony Corporation Printed in Thailand

3



**Note for the antenna (aerial) connecting**  
If your car antenna (aerial) is an ISO (International Organization for Standardization) type, use the supplied adaptor (2) to connect it. First connect the car antenna (aerial) to the supplied adaptor, then connect it to the antenna (aerial) jack of the master unit.

**RCA pin cord (not supplied)**  
AUDIO OUT can be switched SUB or REAR. For details, see the supplied Operating Instructions.

**Insert with the cord upwards.**

**Hinweis zum Anschließen der Antenne**  
Wenn Ihre Autoantenne der ISO-Norm (Internationale Normungsgemeinschaft) entspricht, schließen Sie sie mithilfe des mitgelieferten Adaptors (2) an. Verbinden Sie zuerst die Autoantenne mit dem mitgelieferten Adapter und verwenden Sie diesen dann mit der Antennenbuchse des Hauptgeräts.

**Cinchkabel (nicht mitgeliefert)**  
AUDIO OUT kann zwischen SUB und REAR umgeschaltet werden. Näheres hierzu finden Sie in der Bedienungsanleitung.

**Mit dem Kabel nach oben einsetzen.**

**Remarque sur le raccordement de l'antenne**  
Si votre antenne de voiture est de type ISO (Organisation internationale de normalisation), utilisez l'adaptateur fourni (2) pour la raccorder. Raccordez d'abord l'antenne de votre voiture à l'adaptateur fourni (2), ensuite, à la prise d'antenne de l'appareil principal.

**Cordon à broche RCA (non fourni)**  
AUDIO OUT peut être commuté sur SUB ou REAR. Pour obtenir plus de détails, reportez-vous au mode d'emploi.

**Insérez avec le câble vers le haut.**

**Note per il collegamento dell'antenna**  
Se l'antenna dell'auto è di tipo ISO (International Organization for Standardization), utilizzare l'adattatore (2) in dotazione per collegarla. Collegare prima l'antenna della macchina all'adattatore in dotazione, quindi collegarla alla presa dell'antenna dell'apparecchio principale.

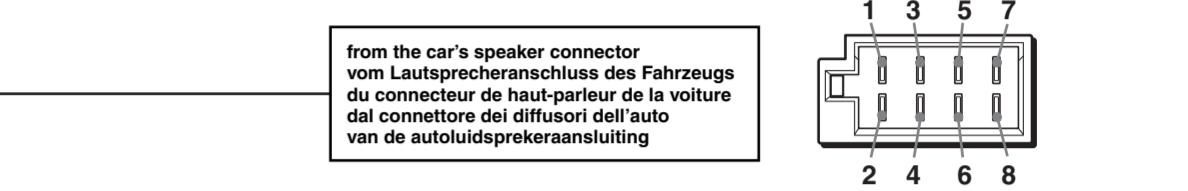
**Cavo a piedini RCA (non in dotazione)**  
AUDIO OUT può essere impostato su SUB o REAR. Per ulteriori informazioni, consultare il manuale di istruzioni per l'uso.

**Inserire con il cavo rivolto verso l'alto.**

**Opmerking bij de antenne-aansluiting**  
Indien uw auto is uitgerust met een antenne van het type ISO (International Organization for Standardization), moet u die aansluiten met behulp van de bijgeleverde adapter (2). Sluit eerst de auto-antenne aan op de bijgeleverde adapter en vervolgens de antennestekker op het hoofd toestel.

**Tulpstekkersnoer (niet bijgeleverd)**  
AUDIO OUT kan worden ingesteld op SUB of REAR. Raadpleeg de gebruiksaanwijzing voor meer informatie.

**Plaatsen met het snoer naar boven.**



from the car's speaker connector  
du connecteur de haut-parleur de la voiture  
dal connettore dei diffusori dell'auto  
van de auto-luidsprekeransluiting

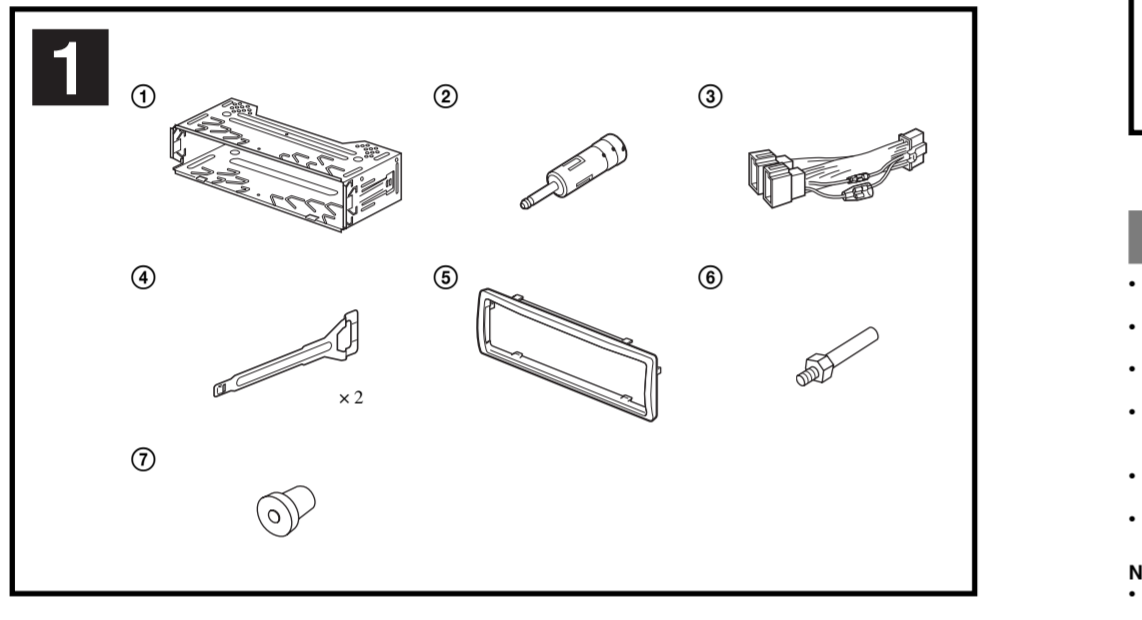
1	Purple Violet	+	Speaker, Rear, Right Lautsprecher hinten rechts Haut-parleur, arrière, droit Diffusor, posteriore, destro	5	White Blanc Bianco Wit	+	Speaker, Front, Left Lautsprecher vorne links Haut-parleur, avant, gauche Diffusor, antérieur, gauche
2	Paars	-	Speaker, Rear, Right Lautsprecher hinten rechts Haut-parleur, arrière, droit Diffusor, posteriore, destro	6		-	Speaker, Front, Left Lautsprecher vorne links Haut-parleur, avant, gauche Diffusor, antérieur, gauche
3	Gray Gris	+	Speaker, Front, Right Lautsprecher vorne rechts Haut-parleur, avant, droit Diffusor, antérieur, droit	7	Green Vert Verde Groen	+	Speaker, Rear, Left Lautsprecher hinten links Haut-parleur, arrière, gauche Diffusor, postérieur, gauche
4		-	Speaker, Front, Right Lautsprecher vorne rechts Haut-parleur, avant, droit Diffusor, antérieur, droit	8		-	Speaker, Rear, Left Lautsprecher hinten links Haut-parleur, arrière, gauche Diffusor, postérieur, gauche

Negative polarity positions 2, 4, 6, and 8 have striped leads.  
An den negativ gepolten Positionen 2, 4, 6 und 8 sind farbige gestreifte Adern.  
Les positions de polarité négative 2, 4, 6 et 8 sont dotées de cordons rayés.  
De posities 1, 2, 4, 6 en 8 hebben gestreepte kabels.

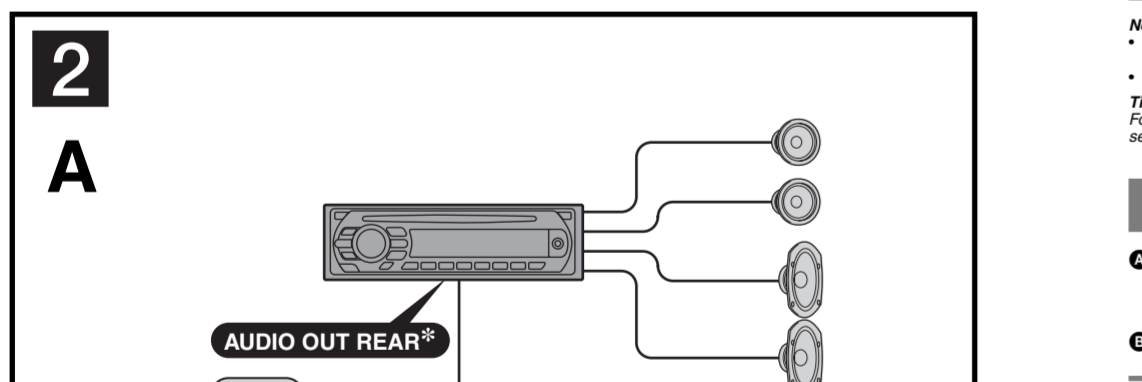
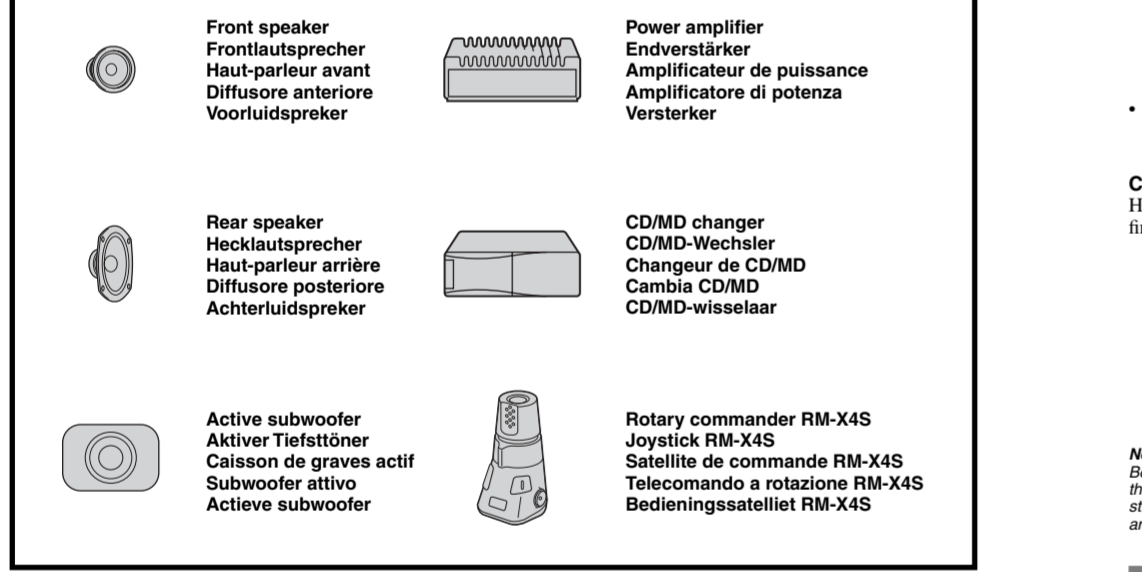
See "Power connection diagram" on the reverse side for details.  
Näheres dazu finden Sie im „Stromanschlußdiagramm“. Blättern Sie dazu bitte um.  
Voir le « Schéma de raccordement d'alimentation » au verso pour plus de détails.  
Per ulteriori informazioni, vedere "Diagramma dei collegamenti di alimentazione" che si trova sul retro.  
Zie "Voedingsaansluitschema" op de achterkant voor meer details.

4	Yellow Gelb Jaune Giallo Geel	continuous power supply permanente Stromversorgung alimentation continue alimentazione continua contínu voeding	7	Red Rot Rouge Rosso Rood	switched power supply geschaltete Stromversorgung alimentation commutée alimentazione commutata geschakelde voeding
5	Blue Blau Bleu Blu Blauw	power antenna (aerial) control Motorantennensteuerung antenne électrique comando dell'antenna elettrica elektrische antenne	8	Black Schwarz Noir Nero Zwart	ground (earth) Masse masse terra aarding

Positions 1, 2, 3, and 6 do not have pins.  
An Position 1, 2, 3 und 6 befinden sich keine Stifte.  
Les positions 1, 2, 3 et 6 ne comportent pas de broches.  
De posities 1, 2, 3 en 6 hebben geen pins.

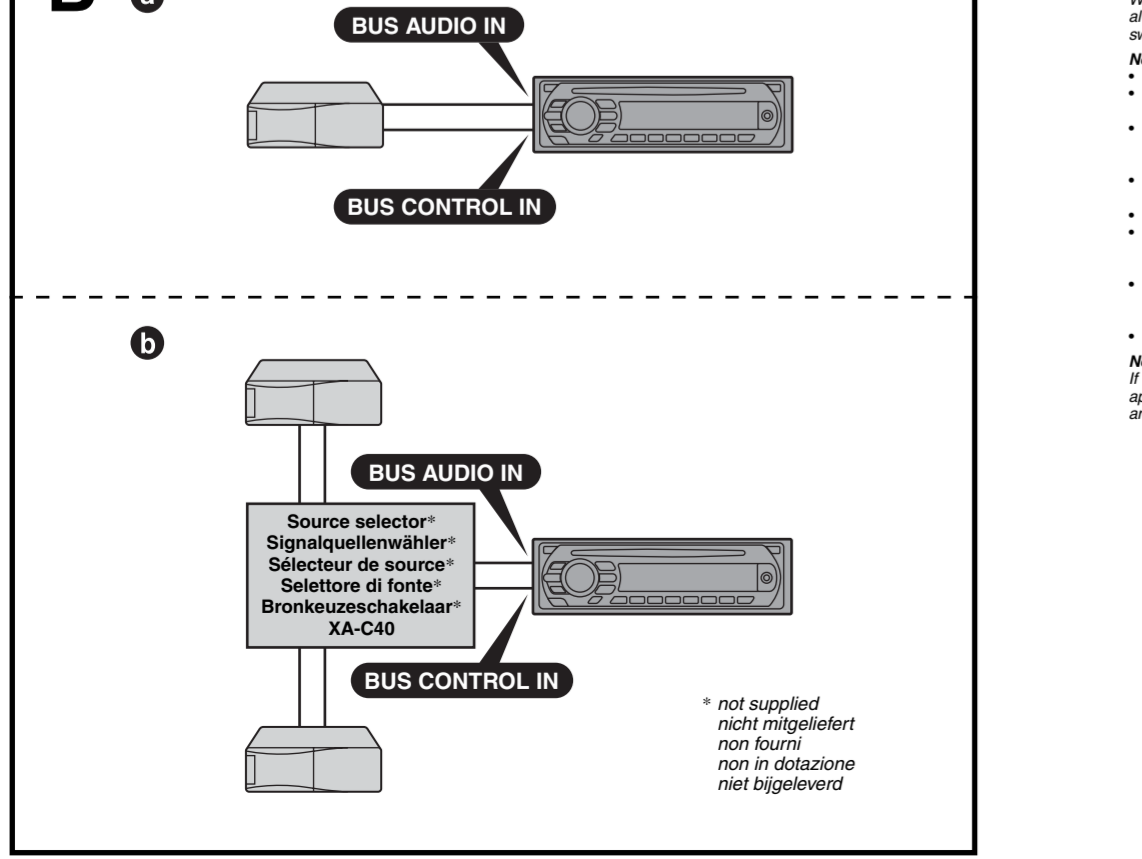


**Equipment used in illustrations (not supplied)**  
In Abbildungen dargestellte Geräte (nicht mitgeliefert)  
Appareils utilisés dans les illustrations (non fournis)  
Apparecchiatura utilizzata nelle illustrazioni (non in dotazione)  
Apparatuur gebruikt in de afbeeldingen (niet bijgeleverd)



**Notes (2-A)**  
• Be sure to connect the ground (earth) lead before connecting the amplifier.  
• The alarm will only sound if the built-in amplifier is used.

**Tip (2-B-0)**  
For connecting two or more CD/MD changers, the source selector XA-C40 (not supplied) is necessary.



\* not supplied  
nicht mitgeliefert  
non fornito  
niet bijgeleverd

### Cautions

- This unit is designed for negative ground (earth) 12 V DC operation only.
- Do not get the leads under a screw, or caught in moving parts (e.g. seat rattle).
- Before making connections, turn the car ignition off to avoid short circuits.
- Connect the power connecting lead (2) to the unit and speakers before connecting it to the auxiliary power connector.
- Run all ground (earth) leads to a common ground (earth) point.
- Be sure to insulate any loose unconnected leads with electrical tape for safety.

### Notes on the power supply lead (yellow)

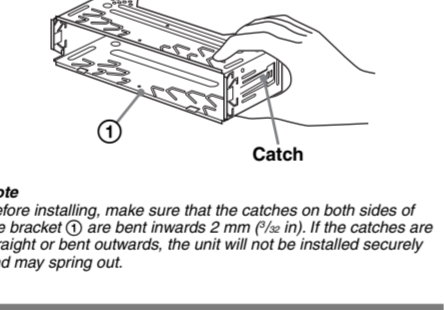
- When connecting this unit in combination with other stereo components, the combined car circuit's rating must be higher than the sum of each component's fuse.
- When no car circuits are rated high enough, connect the unit directly to the battery.

### Parts list

- The numbers in the list are keyed to those in the instructions.
- The bracket (1) and the protection collar (2) are attached to the unit before shipping. Before mounting the unit, use the release keys (3) to remove the bracket (1) and the protection collar (2) from the unit. For details, see "Removing the protection collar and the bracket (1)" on the reverse side of the sheet.
- Keep the release keys (3) for future use as they are also necessary if you remove the unit from your car.

### Caution

Handle the bracket (1) carefully to avoid injuring your fingers.



**Note**  
Before installing, make sure that the catches on both sides of the bracket (1) are bent inwards 2 mm (1/8 in). If the catches are straight or bent outwards, the unit will not be installed securely and may spring out.

### Connection example

- Notes (2-A)
- Tip (2-B-0)

### Connection diagram

- To AMP REMOTE IN of an optional power amplifier
- To the interface cable of a car telephone

### Warning

If you have a power antenna (aerial) without a relay box, connecting this unit with the supplied power connecting lead (2) may damage the antenna (aerial).

### Notes on the control power and supply leads

- The power antenna (aerial) control lead (blue) supplies +12 V DC when you turn the tuner, or when you activate the AF (Alternative Frequency) or TA (Traffic Announcement) function.
- When your car has built-in FM/MW/LW antenna (aerial) in the rear side glass, connect the power antenna (aerial) control lead (blue) or the accessory power supply lead (red) to the power terminal of the existing antenna (aerial) booster. For details, consult your dealer.
- A power antenna (aerial) without a relay box cannot be used with this unit.

### Memory hold connection

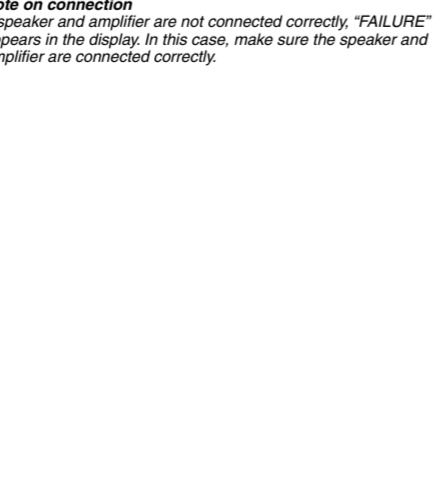
When the yellow power supply lead is connected, power will always be supplied to the memory circuit even when the ignition switch is turned off.

### Notes on speaker connection

- Before connecting with the speakers, turn the unit off.
- Use speakers with an impedance of 4 Ω or more, and with adequate power handling capacities to avoid its damage.
- Do not connect the speaker terminals to the car chassis, or connect the terminals of the right speakers with those of the left speaker.
- Do not connect the ground (earth) lead of this unit to the negative (-) terminal of the speaker.
- Do not connect the speaker terminals in parallel.
- Connect only passive speakers. Connecting active speakers (with built-in amplifiers) to the speaker terminals may damage the unit.
- To avoid a malfunction, do not use the built-in speaker leads installed in your car if the unit shares a common negative (-) lead for the right and left speakers.
- Do not connect the unit's speaker leads to each other.

### Note on connection

If speaker and amplifier are not connected correctly, "FAILURE" appears in the display. In this case, make sure the speaker and amplifier are connected correctly.



### Warnhinweise

- Dieses Gerät ist ausschließlich für den Betrieb bei 12 V Gleichstrom (negative Erdung) bestimmt.
- Achten Sie darauf, dass die Kabel nicht unter einer Schraube oder zwischen beweglichen Teilen wie z. B. in einer Sitzschiene eingeklemmt werden.
- Schalten Sie, bevor Sie irgendwelche Anschlüsse vornehmen, die Zündung des Fahrzeugs aus, um Kurzschlüsse zu vermeiden.
- Verbinden Sie das Stromversorgungs-kabel (2) mit dem Gerät und den Lautsprechern, bevor Sie es mit dem Hilfsstromanschluss verbinden.
- Schließen Sie alle Erdungskabel an einen gemeinsamen Massepunkt an.
- Aus Sicherheitsgründen müssen alle losen, nicht angeschlossenen Drähte mit Isolierband isoliert werden.

### Hinweise zum Stromversorgungs-kabel (gelb)

- Wenn Sie dieses Gerät zusammen mit anderen Stereokomponenten anschließen, muss der Autostromkreis, an den die Geräte angeschlossen sind, eine höhere Leistung aufweisen als die Summe der Sicherungen der einzelnen Komponenten.
- Wenn kein Autostromkreis eine so hohe Leistung aufweist, schließen Sie das Gerät direkt an die Batterie an.

### Teilliste

- Die Nummern in der Liste sind dieselben wie im Schaltplan.
- Die Halterung (1) und die Schutzumrandung (2) werden vor dem Ausliefern am Gerät angebracht. Bevor Sie das Gerät montieren, nehmen Sie die Halterung (1) und die Schutzumrandung (2) mithilfe der Löseschlüssel (3) bitte vom Gerät ab. Einzelheiten dazu finden Sie unter "Abnehmen der Schutzumrandung und der Halterung (1)" auf der Rückseite dieses Blatts.
- Bewahren Sie die Löseschlüssel (3) für den späteren Gebrauch auf. Sie werden z. B. benötigt, wenn Sie das Gerät aus dem Fahrzeug ausbauen wollen.

### Vorsicht

Seien Sie beim Umgang mit der Halterung (1) vorsichtig, damit Sie sich nicht die Hände verletzen.



**Hinweis**  
Vor der Installation, assurez-vous que les loquets des deux côtés du support (1) sont bien pliés de 2 mm vers l'intérieur. Si les loquets sont droits ou pliés vers l'extérieur, l'appareil ne peut pas être fixé solidement et peut se détacher.

### Anschlussbeispiel

- Notes (2-A)
- Tip (2-B-0)

### Anschlussdiagramm

- To AMP REMOTE IN des gesondert erhältlichen Endverstärkers
- To the interface cable of a car telephone

### Warning

If you have a power antenna (aerial) without a relay box, connecting this unit with the supplied power connecting lead (2) may damage the antenna (aerial).

### Notes on the control power and supply leads

- The power antenna (aerial) control lead (blue) supplies +12 V DC when you turn the tuner, or when you activate the AF (Alternative Frequency) or TA (Traffic Announcement) function.
- When your car has built-in FM/MW/LW antenna (aerial) in the rear side glass, connect the power antenna (aerial) control lead (blue) or the accessory power supply lead (red) to the power terminal of the existing antenna (aerial) booster. For details, consult your dealer.
- A power antenna (aerial) without a relay box cannot be used with this unit.

### Memory hold connection

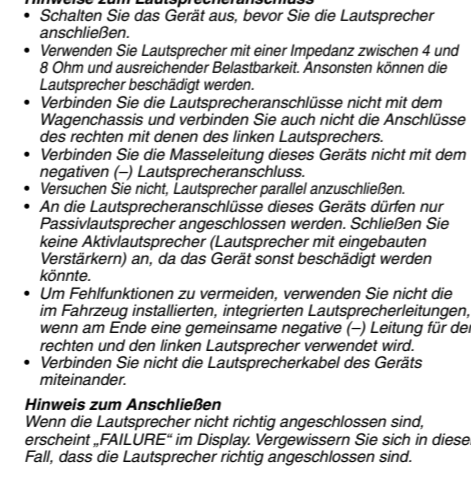
When the yellow power supply lead is connected, power will always be supplied to the memory circuit even when the ignition switch is turned off.

### Notes on speaker connection

- Before connecting with the speakers, turn the unit off.
- Use speakers with an impedance of 4 Ω or more, and with adequate power handling capacities to avoid its damage.
- Do not connect the speaker terminals to the car chassis, or connect the terminals of the right speakers with those of the left speaker.
- Do not connect the ground (earth) lead of this unit to the negative (-) terminal of the speaker.
- Do not connect the speaker terminals in parallel.
- Connect only passive speakers. Connecting active speakers (with built-in amplifiers) to the speaker terminals may damage the unit.
- To avoid a malfunction, do not use the built-in speaker leads installed in your car if the unit shares a common negative (-) lead for the right and left speakers.
- Do not connect the unit's speaker leads to each other.

### Note on connection

If speaker and amplifier are not connected correctly, "FAILURE" appears in the display. In this case, make sure the speaker and amplifier are connected correctly.



\* not supplied  
nicht mitgeliefert  
non fornito  
niet bijgeleverd

### Précautions

- Cet appareil est conçu pour fonctionner sur un courant continu de 12 V avec masse négative.
- Évitez de coincer les câbles sous des vis ou dans des pièces mobiles (par exemple, armature de siège).
- Avant d'effectuer des raccordements, coupez le moteur pour éviter les courts-circuits.
- Branchez le câble d'alimentation (2) sur l'appareil et les haut-parleurs avant de le brancher sur le connecteur d'alimentation auxiliaire.
- Rassemblez tous les câbles de mise à la masse en un point de masse commun.
- Veillez à isoler tout câble non connecté avec du ruban isolant.

### Remarques sur le câble d'alimentation (jaune)

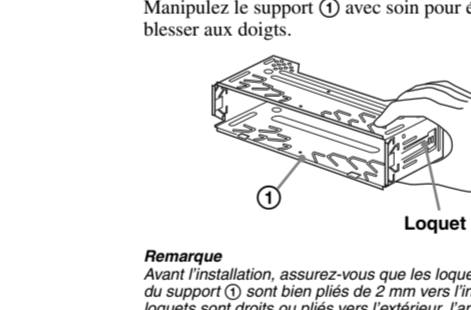
- Lorsque cet appareil est raccordé à d'autres équipements stéréo, la valeur nominale des circuits du véhicule raccorés doit être supérieure à la somme des fusibles de chaque élément.
- Si aucun circuit de la voiture n'est assez puissant, raccordez directement l'appareil à la batterie.

### Liste des composants

- Les numéros de la liste correspondent à ceux des instructions.
- Le support (1) et le tour de protection (2) sont fixés à l'appareil en usine. Avant le montage de l'appareil, utilisez les clés de déblocage (3) pour détacher le support (1) et le tour de protection (2) de l'appareil.
- Plus de plus amples détails, reportez-vous à la section « Retrait du tour de protection et du support (1) » au verso de la feuille.
- Conservez les clés de déblocage (3) pour une utilisation ultérieure car vous en aurez également besoin pour retirer l'appareil de votre véhicule.

### Avertissement

Manipulez le support (1) avec soin pour éviter de vous blesser aux doigts.



**Remarque**  
Avant l'installation, assurez-vous que les loquets des deux côtés du support (1) sont bien pliés de 2 mm vers l'intérieur. Si les loquets sont droits ou pliés vers l'extérieur, l'appareil ne peut pas être fixé solidement et peut se détacher.

### Exemple de raccordement

- Notes (2-A)
- Tip (2-B-0)

### Schémas de raccordement

- To AMP REMOTE IN of an optional power amplifier
- To the interface cable of a car telephone

### Warning

If you have a power antenna (aerial) without a relay box, connecting this unit with the supplied power connecting lead (2) may damage the antenna (aerial).

### Notes on the control power and supply leads

- The power antenna (aerial) control lead (blue) supplies +12 V DC when you turn the tuner, or when you activate the AF (Alternative Frequency) or TA (Traffic Announcement) function.
- When your car has built-in FM/MW/LW antenna (aerial) in the rear side glass, connect the power antenna (aerial) control lead (blue) or the accessory power supply lead (red) to the power terminal of the existing antenna (aerial) booster. For details, consult your dealer.
- A power antenna (aerial) without a relay box cannot be used with this unit.

### Memory hold connection

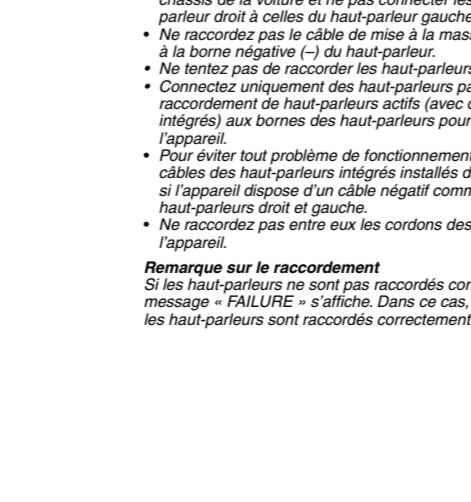
When the yellow power supply lead is connected, power will always be supplied to the memory circuit even when the ignition switch is turned off.

### Notes on speaker connection

- Before connecting with the speakers, turn the unit off.
- Use speakers with an impedance of 4 Ω or more, and with adequate power handling capacities to avoid its damage.
- Do not connect the speaker terminals to the car chassis, or connect the terminals of the right speakers with those of the left speaker.
- Do not connect the ground (earth) lead of this unit to the negative (-) terminal of the speaker.
- Do not connect the speaker terminals in parallel.
- Connect only passive speakers. Connecting active speakers (with built-in amplifiers) to the speaker terminals may damage the unit.
- To avoid a malfunction, do not use the built-in speaker leads installed in your car if the unit shares a common negative (-) lead for the right and left speakers.
- Do not connect the unit's speaker leads to each other.

### Note on connection

If speaker and amplifier are not connected correctly, "FAILURE" appears in the display. In this case, make sure the speaker and amplifier are connected correctly.



\* not supplied  
nicht mitgeliefert  
non fornito  
niet bijgeleverd

### Attenzione

- Questo apparecchio è stato progettato per l'uso solo a 12 V CC con massa negativa.
- Evitare che i cavi rimangano bloccati da una vite o incastrati nelle parti mobili (ad esempio nelle guide scorrevoli dei sedili).
- Prima di effettuare i collegamenti, spegnere il motore dell'automobile ed evitare la causa di cause cortocircuiti.
- Collegare il cavo di alimentazione (2) all'apparecchio e ai diffusori prima di collegarlo al connettore di alimentazione ausiliario.
- Portare tutti i cavi di messa a terra a un punto di massa comune.
- Per sicurezza, assicurarsi di isolare qualsiasi cavo non collegato utilizzando del nastro adesivo.

### Note sul cavo di alimentazione (giallo)

- Se questo apparecchio viene collegato in combinazione con altri componenti stereo, la potenza nominale dei circuiti dell'automobile deve essere superiore a quella prodotta dalla somma dei fusibili di ciascun componente.
- Se la potenza nominale dei circuiti dell'automobile non è sufficiente, collegare l'apparecchio direttamente alla batteria.

### Elenco dei componenti

- I numeri nella lista corrispondono a quelli riportati nelle istruzioni.
- La staffa (1) e la cornice protettiva (2) vengono erlancati in fabbrica. Prima di installare l'unità, utilizzare le chiavette di rilascio (3) per rimuovere la staffa (1) e la cornice protettiva (2) dall'apparecchio. Per ulteriori informazioni, vedere "Rimozione della staffa e della cornice protettiva (2)" sul lato opposto del foglio.
- Conservare le chiavette di rilascio (3) per un uso futuro in quanto necessarie per rimuovere l'unità dall'auto.

### Attenzione

Maneggiare la staffa (1) con cautela per evitare di ferirsi le mani.



**Nota**  
Prima di installare l'unità, accertarsi di ripiegare i fermi presenti ai due lati della staffa (1) verso l'interno di 2 mm. Se i fermi sono diritti o ripiegati verso l'esterno, l'apparecchio non verrà installato in modo sicuro e potrebbe fuoriuscire.

### Esempio di collegamento

- Notes (2-A)
- Tip (2-B-0)

### Schema di collegamento

- To AMP REMOTE IN of an optional power amplifier
- To the interface cable of a car telephone

### Warning

If you have a power antenna (aerial) without a relay box, connecting this unit with the supplied power connecting lead (2) may damage the antenna (aerial).

### Notes on the control power and supply leads

- The power antenna (aerial) control lead (blue) supplies +12 V DC when you turn the tuner, or when you activate the AF (Alternative Frequency) or TA (Traffic Announcement) function.
- When your car has built-in FM/MW/LW antenna (aerial) in the rear side glass, connect the power antenna (aerial) control lead (blue) or the accessory power supply lead (red) to the power terminal of the existing antenna (aerial) booster. For details, consult your dealer.
- A power antenna (aerial) without a relay box cannot be used with this unit.

### Memory hold connection

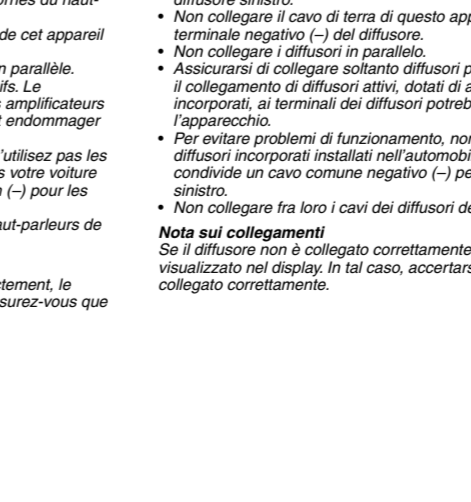
When the yellow power supply lead is connected, power will always be supplied to the memory circuit even when the ignition switch is turned off.

### Notes on speaker connection

- Before connecting with the speakers, turn the unit off.
- Use speakers with an impedance of 4 Ω or more, and with adequate power handling capacities to avoid its damage.
- Do not connect the speaker terminals to the car chassis, or connect the terminals of the right speakers with those of the left speaker.
- Do not connect the ground (earth) lead of this unit to the negative (-) terminal of the speaker.
- Do not connect the speaker terminals in parallel.
- Connect only passive speakers. Connecting active speakers (with built-in amplifiers) to the speaker terminals may damage the unit.
- To avoid a malfunction, do not use the built-in speaker leads installed in your car if the unit shares a common negative (-) lead for the right and left speakers.
- Do not connect the unit's speaker leads to each other.

### Note on connection

If speaker and amplifier are not connected correctly, "FAILURE" appears in the display. In this case, make sure the speaker and amplifier are connected correctly.



\* not supplied  
nicht mitgeliefert  
non fornito  
niet bijgeleverd

### Let op

- Dit apparaat is ontworpen voor gebruik op een auto-accu van 12 V gelijkstroom, negatieve aarde.
- Zorg ervoor dat de kabels niet onder een schroef of in tussen bewegende onderdelen (bv. zetschalen) terecht komen.
- Voordat u de aansluitingen maakt, moet u het contact uitschakelen om kortsluiting te vermijden.
- Sluit de voedingskabel (2) aan op het apparaat en de luidsprekers voordat u het aansluit op de hulpvoedingsaansluiting.
- Sluit alle aardingskabels op een gemeenschappelijk aardpunt aan.
- Voorziet niet aangesloten kabels om veiligheidsredenen altijd van isolatieband.

### Opmerkingen bij de voedingskabel (geel)

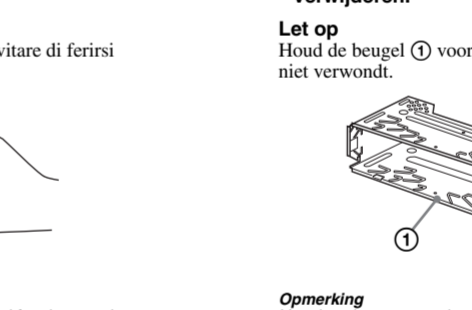
- Wanneer u dit apparaat aansluit samen met andere componenten, moet het vermogen van de aangesloten auto-stroomkring groter zijn dan de som van de zekeringen van elke component afzonderlijk.
- Wanneer het vermogen ontbrekend is, moet u het apparaat rechtstreeks aansluiten op de accu.

### Onderdeel en lijst

- De nummers in de afbeelding verwijzen naar die in de instructies.
- De beugel (1) en de beschermende rand (2) worden bevestigd op het apparaat voordat dit wordt verzonden. Voordat u het apparaat plaats, moet u de bevestigingsklemmen (3) gebruiken om de beugel (1) en de beschermende rand (2) te verwijderen van het apparaat. Zie "De beschermende rand en de beugel verwijderen (1)" op de achterkant van dit vel voor meer informatie.
- Bewaar de ontgrendelingsleuzels (3) voor toekomstig gebruik omdat u ze ook nodig hebt om het apparaat uit de auto te verwijderen.

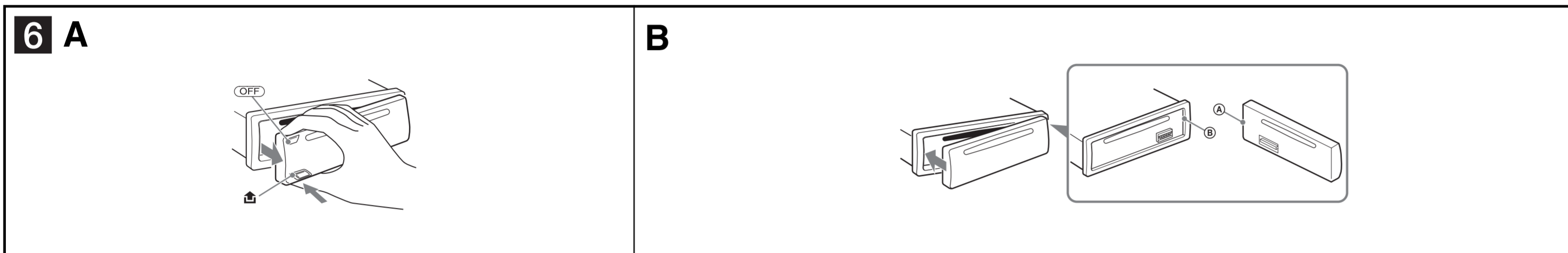
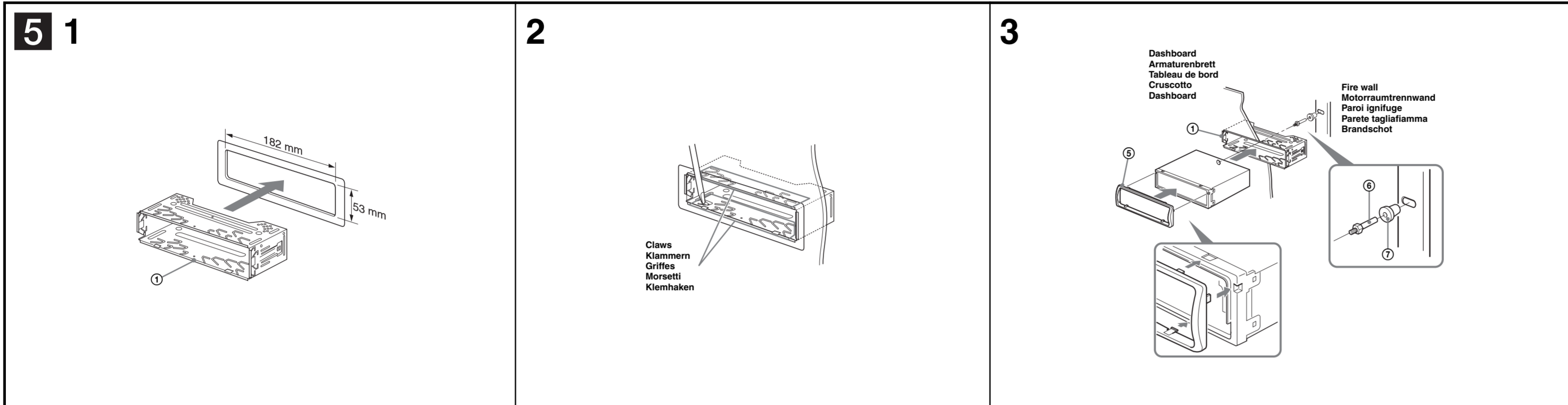
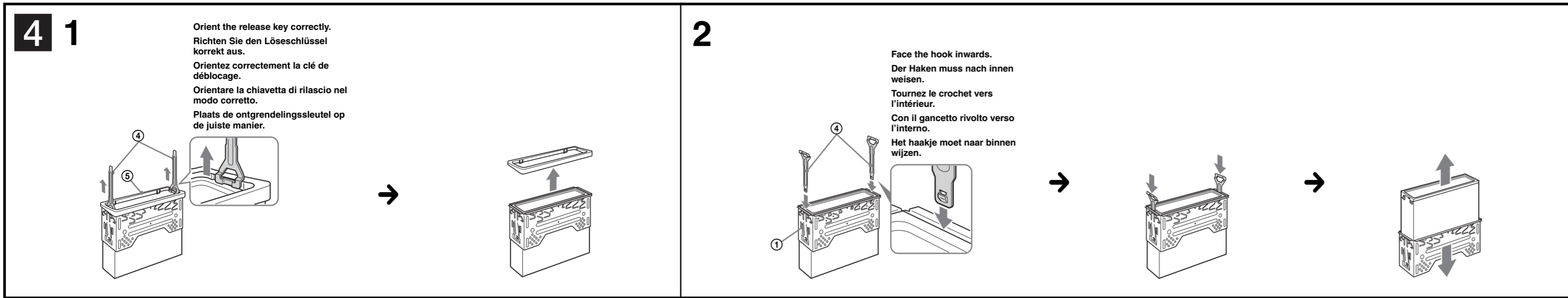
### Let op

Houd de beugel (1) voorzichtig vast zodat u uw vingers niet verwondt.



**Opmerking**  
Voordat u het apparaat installeert, moet u de grepen aan beide zijden van de beugel (1) 2 mm naar binnen buigen. Als de grepen recht zijn of naar buiten gebogen, kan het apparaat niet goed worden bevestigd en kan dit losraken.

### Voorbeeldaansluitingen



#### Precautions

- Choose the installation location carefully so that the unit will not interfere with normal driving operations.
- Avoid installing the unit in areas subject to dust, dirt, excessive vibration, or high temperature, such as in direct sunlight or near heater ducts.
- Use only the supplied mounting hardware for a safe and secure installation.

#### Mounting angle adjustment

Adjust the mounting angle to less than 45°.

#### Removing the protection collar and the bracket 4

Before installing the unit, remove the protection collar ④ and the bracket ① from the unit.

- Remove the protection collar ④.**
  - Engage the release keys ② together with the protection collar ④.
  - Pull out the release keys ② to remove the protection collar ④.
- Remove the bracket ①.**
  - Insert both release keys ② together between the unit and the bracket ① until they click.
  - Pull down the bracket ①, then pull up the unit to separate.

#### Mounting example 5

**Installation in the dashboard**  
**Notes**

- Beard these claws outward for a tight fit, if necessary (B-2).
- Make sure that the 4 catches on the protection collar ④ are properly engaged in the slots of the unit (B-3).

#### How to detach and attach the front panel 6

Before installing the unit, detach the front panel.

**6-A To detach**  
Before detaching the front panel, be sure to press OFF. Press ⑤, and pull it off towards you.

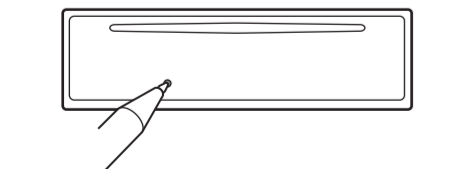
**6-B To attach**  
Engage part ⑥ of the front panel with part ⑥ of the unit, as illustrated, and push the left side into position until it clicks.

#### Warning if your car's ignition has no ACC position

Be sure to set the Auto Off function. For details, see the supplied Operating Instructions.  
The unit will shut off completely and automatically in the set time after the unit is turned off, which prevents battery drain.  
If you do not set the Auto Off function, press and hold ⑤ until the display disappears each time you turn the ignition off.

#### RESET button

When the installation and connections are completed, be sure to press the RESET button with a ball-point pen, etc., after detaching the front panel.



#### Taste RESET

Wenn Sie das Gerät eingebaut und alle Anschlüsse vorgenommen haben, müssen Sie die Frontplatte abnehmen und mit einem Kugelschreiber oder einem anderen spitzen Gegenstand die Taste RESET drücken.



#### Sicherheitshinweise

- Wählen Sie den Einbaort sorgfältig so aus, dass das Gerät beim Fahren nicht hinderlich ist.
- Basen Sie das Gerät so ein, dass es keinen hohen Temperaturen (keinem direkten Sonnenlicht, keiner Warmluft von der Heizung), keinem Staub, keinem Schmutz und keinen starken Vibrationen ausgesetzt ist.
- Für eine sichere Befestigung verwenden Sie stets die mitgelieferten Montageteile.

#### Hinweis zum Montagewinkel

Das Gerät sollte in einem Winkel von weniger als 45° montiert werden.

#### Abnehmen der Schutzumrandung und der Halterung 4

Nehmen Sie vor dem Installieren des Geräts die Schutzumrandung ④ und die Halterung ① vom Gerät ab.

- Entfernen Sie die Schutzumrandung ④.**
  - Setzen Sie beide LÖSeschlüssel ② an der Schutzumrandung ④ an.
  - Ziehen Sie die Schutzumrandung ④ mithilfe der LÖSeschlüssel ② heraus.
- Entfernen Sie die Halterung ①.**
  - Führen Sie beide LÖSeschlüssel ② zwischen dem Gerät und der Halterung ① ein, bis sie mit einem Klicken einrasten.
  - Ziehen Sie die Halterung ① nach unten und das Gerät nach oben, um die beiden zu trennen.

#### Montagebeispiel 5

**Installation im Armaturenbrett**  
**Hinweise**

- Falls erforderlich, biegen Sie diese Klammern für einen sicheren Halt nach außen (B-2).
- Achten Sie darauf, die 4 Verriegelungen an der Schutzumrandung ④ korrekt in die Aussparungen am Gerät einzusetzen (B-3).

#### Abnehmen und Anbringen der Frontplatte 6

Nehmen Sie die Frontplatte vor dem Einbau des Geräts ab.

**6-A Abnehmen**  
Schalten Sie das Gerät vor dem Abnehmen der Frontplatte unbedingt mit OFF aus. Drücken Sie ⑤ und ziehen Sie sie auf sich zu heraus.

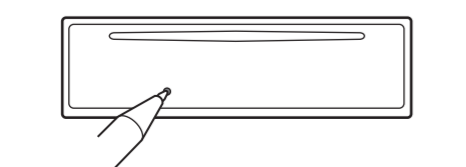
**6-B Anbringen**  
Setzen Sie Teil ⑥ der Frontplatte wie in der Abbildung dargestellt an Teil ⑥ des Geräts an und drücken Sie die linke Seite der Frontplatte an, bis sie mit einem Klicken einrastet.

#### Warnhinweis, wenn die Zündung Ihres Fahrzeugs nicht über eine Zubehörposition (ACC oder I) verfügt

Aktivieren Sie unbedingt die Abschaltautomatik. Näheres dazu finden Sie in der mitgelieferten Bedienungsanleitung.  
Nach dem Ausschalten wird das Gerät dann nach der voreingestellten Zeit automatisch vollständig abgeschaltet, so dass der Autobatterie kein Strom mehr entzogen wird.  
Wenn Sie die Abschaltautomatik nicht aktivieren, müssen Sie jedes Mal, wenn Sie die Zündung ausschalten, die Taste OFF gedrückt halten, bis die Anzeige ausgeblendet wird.

#### Taste RESET

Wenn Sie das Gerät eingebaut und alle Anschlüsse vorgenommen haben, müssen Sie die Frontplatte abnehmen und mit einem Kugelschreiber oder einem anderen spitzen Gegenstand die Taste RESET drücken.



#### Précautions

- Choisissez soigneusement l'emplacement de l'installation afin que l'appareil ne gêne pas la conduite normale du véhicule.
- Évitez d'installer l'appareil dans un endroit exposé à de la poussière, de la saleté, des vibrations violentes ou à des températures élevées, comme en plein soleil ou à proximité d'un conduit de chauffage.
- Pour garantir un montage sûr, n'utilisez que le matériel fourni.

#### Réglage de l'angle de montage

Régalez l'inclinaison à un angle inférieur à 45°.

#### Retrait du tour de protection et du support 4

Avant d'installer l'appareil, retirez le tour de protection ④ et le support ① de l'appareil.

- Retirez le tour de protection ④.**
  - Enclenchez les clés de déblocage ② simultanément dans le tour de protection ④.
  - Tirez sur la clé de déblocage ② pour retirer le tour de protection ④.
- retirez le support ①.**
  - Insérez les deux clés de déblocage ② simultanément entre l'appareil et le support ① jusqu'au déclat indiquant qu'elles sont en place.
  - Tirez le support ① vers le bas, puis tirez l'appareil vers le haut pour les séparer.

#### Exemple de montage 5

**Installation dans le tableau de bord**  
**Remarques**

- Pliez ces griffes vers l'extérieur pour assurer une prise correcte si nécessaire (B-2).
- Assurez-vous que les 4 loquets du tour de protection ④ sont correctement insérés dans les fentes de l'appareil (B-3).

#### Retrait et fixation de la façade 6

Avant d'installer l'appareil, retirez la façade.

**6-A Pour la retirer**  
Avant de retirer la façade, n'oubliez pas d'appuyer sur OFF. Appuyez ensuite sur ⑤, puis faites glisser la façade vers vous.

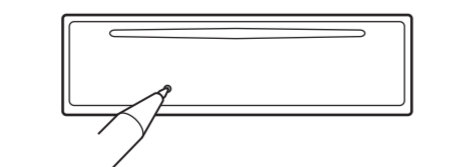
**6-B Pour la fixer**  
Fixez la partie ⑥ de la façade sur la partie ⑥ de l'appareil, comme indiqué sur l'illustration, puis appuyez sur le côté gauche jusqu'à déclick.

#### Avertissement si le contact de votre voiture ne comporte pas de position ACC

Veillez à régler la fonction de mise hors tension automatique. Pour obtenir davantage d'informations, reportez-vous au mode d'emploi fourni.  
L'appareil s'éteint complètement et automatiquement après le laps de temps choisi une fois l'appareil mis hors tension afin d'éviter que la batterie ne se décharge. Si vous ne réglez pas la fonction de mise hors tension automatique, appuyez sur la touche OFF et maintenez-la enfoncée jusqu'à ce que l'affichage disparaisse à chaque fois que vous coupez le contact.

#### Touche RESET

Une fois que l'installation et les raccordements sont terminés, retirez la façade et appuyez sur la touche RESET à l'aide d'un stylo à bille ou d'un autre objet pointu.



#### Precauzioni

- Scegliere con attenzione la posizione per l'installazione in modo che l'apparecchio non interferisca con le operazioni di guida del conducente.
- Evitare di installare l'apparecchio dove sia soggetto ad alte temperature, come alla luce solare diretta o al getto di aria calda dell'impianto di riscaldamento, o dove possa essere soggetto a polvere, sporcizia e vibrazioni eccessive.
- Usare solo il materiale di montaggio in dotazione per un'installazione stabile e sicura.

#### Regolazione dell'angolo di montaggio

Regolare l'angolo di montaggio in modo che sia inferiore a 45°.

#### Rimozione della staffa e della cornice protettiva 4

Prima di installare l'apparecchio, rimuovere la cornice protettiva ④ e la staffa ① dall'apparecchio.

- Rimuovere la cornice protettiva ④.**
  - Inserire le chiavette di rilascio ② nella cornice protettiva ④.
  - Per rimuovere la cornice di protettiva ④ estrarre le chiavette di rilascio ②.
- Rimuovere la staffa ①.**
  - Inserire contemporaneamente entrambe le chiavette di rilascio ② tra l'apparecchio e la staffa ① fino a che non scattano in posizione.
  - Estrarre la staffa ①, quindi sollevare l'apparecchio per rimuoverlo.

#### Esempio di montaggio 5

**Installazione nel cruscotto**  
**Note**

- Piegare verso l'esterno questi morsetti per un'installazione più sicura, se necessario (B-2).
- Assicurarsi che i 4 fermi sulla cornice protettiva ④ siano correttamente inseriti negli alloggiamenti dell'apparecchio (B-3).

#### Rimozione e applicazione del pannello anteriore 6

Prima di installare l'apparecchio rimuovere il pannello anteriore.

**6-A Per rimuoverlo**  
Prima di rimuovere il pannello anteriore, premere OFF. Premere ⑤, quindi tirare verso di sé il pannello anteriore.

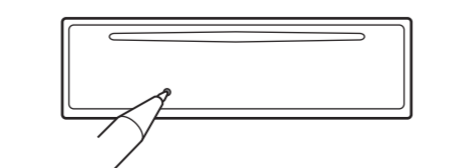
**6-B Per reinserirlo**  
Applicare la parte ⑥ del pannello anteriore alla parte ⑥ dell'apparecchio come mostrato nell'illustrazione e premere il lato sinistro fino a sentire uno scatto.

#### Avvertenza relativa all'installazione su un'auto sprovvista della posizione ACC (accessoria) sul blocchetto di accensione

Accertarsi di impostare la funzione di spegnimento automatico. Per ulteriori informazioni, fare riferimento alle istruzioni per l'uso in dotazione.  
L'apparecchio si spegne completamente e automaticamente all'ora impostata dopo che è stato disattivato, onde evitare che la batteria si scarichi. Se la funzione di spegnimento automatico non è stata impostata, ogni volta che il motore viene spento tenere premuto OFF finché il display non viene disattivato.

#### Tasto RESET

Una volta completate le procedure di installazione e i collegamenti, accertarsi di premere il tasto RESET con una penna a sfera o un oggetto simile dopo avere rimosso il pannello anteriore.



#### Voorzorgsmaatregelen

- Kies de installatieplaats zorgvuldig zodat het apparaat de bestuurder niet hindert tijdens het rijden.
- Installeer het apparaat niet op plaatsen waar het blootgesteld wordt aan hoge temperaturen, b.v. in direct zonlicht of bij de warme luchtstroom van de autoverwarming, aan sterke stromingen, of waar het in contact komt met veel stof of vuil.
- Gebruik voor het veilig en stevig monteren van het apparaat uitsluitend de bijgeleverde montage-onderdelen.

#### Maximale montagehoek

Installeer het apparaat nooit onder een hoek van meer dan 45° met het horizontale vlak.

#### De beschermende rand en de beugel verwijderen 4

Voordat u het apparaat gaat installeren, moet u de beschermende rand ④ en de beugel ① verwijderen van het apparaat.

- Verwijder de beschermende rand ④.**
  - Bevestig de ontgrendelingsleutels ② op de beschermende rand ④.
  - Trek de ontgrendelingsleutels ② naar u toe om de beschermende rand ④ te verwijderen.
- Verwijder de beugel ①.**
  - Plaats de ontgrendelingsleutels ② tussen het apparaat en de beugel ① tot deze vastklikken.
  - Trek de beugel ① omlaag en trek het apparaat omhoog om deze van elkaar te scheiden.

#### Montagevoorbeeld 5

**Montage in het dashboard**  
**Opmerkingen**

- Indien nodig kunt u deze klemhaken omhoog voor een stevigere bevestiging (B-2).
- De 4 grepen op de beschermende rand ④ moeten goed in de sleuven van het apparaat zijn geplaatst (B-3).

#### Het voorpaneel verwijderen en bevestigen 6

Verwijder, alvorens met het installeren te beginnen, het voorpaneel.

**6-A Verwijderen**  
Vergeet niet, voordat u het voorpaneel verwijdert, eerst op OFF te drukken. Druk vervolgens op de ⑤ toets en trek het naar u toe.

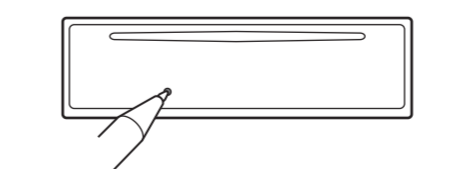
**6-B Bevestigen**  
Breng deel ⑥ van het voorpaneel aan op deel ⑥ van het apparaat zoals afgebeeld en druk op de linkerzijde tot deze vastklikt.

#### Waarschuwing als het contactslot van de auto geen ACC-positie heeft

Zorg ervoor dat u de functie voor automatisch uitschakelen instelt. Raadpleeg de bijgeleverde gebruiksaanwijzing voor meer informatie.  
Het apparaat wordt na de ingestelde tijd automatisch volledig uitgeschakeld nadat het apparaat is uitgeschakeld. Zo wordt voorkomen dat de accu leegloopt.  
Als u de functie voor automatisch uitschakelen niet instelt, moet u met een puntig voorwerp, zoals de punt van een balpen, op RESET drukken nadat u het voorpaneel hebt verwijderd.

#### RESET-toets

Als u de installatie en aansluitingen hebt voltooid, moet u met een puntig voorwerp, zoals de punt van een balpen, op RESET drukken nadat u het voorpaneel hebt verwijderd.



#### Power connection diagram

Auxiliary power connector may vary depending on the car. Check your car's auxiliary power connector diagram to make sure the connections match correctly. There are three basic types (illustrated below). You may need to switch the positions of the red and yellow leads in the car stereo's power connecting lead.  
After matching the connections and switched power supply leads correctly, connect the unit to the car's power supply. If you have any questions and problems connecting your unit that are not covered in this manual, please consult the car dealer.

#### Stromanschlusdiagramm

Der Hilfsstromanschluss kann je nach Fahrzeugtyp unterschiedlich sein. Sehen Sie im Hilfsstromanschlussdiagramm für Ihr Fahrzeug nach, wie die Verbindung ordnungsgemäß vorgenommen werden muss. Es gibt, wie unten abgebildet, drei grundlegende Typen. Sie müssen möglicherweise die rote und gelbe Leitung des Stromversorgungs Kabels der Autostereoanlage vertauschen.  
Stellen Sie die Anschlüsse her, schließen Sie die geschalteten Stromversorgungsleitungen richtig an und verbinden Sie dann das Gerät mit der Stromversorgung Ihres Fahrzeugs. Wenn beim Anschließen des Geräts Fragen oder Probleme auftreten, die in dieser Bedienungsanleitung nicht erläutert werden, wenden Sie sich bitte an den Autobändler.

#### Schéma de raccordement d'alimentation

Le connecteur d'alimentation auxiliaire peut varier suivant le type de voiture. Vérifiez le schéma du connecteur d'alimentation auxiliaire de votre voiture pour vous assurer que les connexions correspondent. Il en existe trois types de base (illustrés ci-dessous). Il se peut que vous deviez commuter la position des câbles rouge et jaune du câble d'alimentation de l'autoradio. Après avoir établi les connexions et connecté correctement les câbles d'alimentation, raccordez l'appareil à l'alimentation de la voiture. Si vous avez des questions ou des difficultés à propos de cet appareil qui ne sont pas abordées dans le présent mode d'emploi, consultez votre concessionnaire automobile.

#### Diagramma dei collegamenti di alimentazione

Il connettore di alimentazione ausiliaria può variare a seconda della macchina. Controllare il diagramma del connettore di alimentazione ausiliaria della macchina per essere sicuri che i collegamenti corrispondano correttamente. Vi sono tre tipi di base (illustrazione sotto). Potrà essere necessario cambiare le posizioni dei fili rosso e giallo nel cavo di alimentazione dello stereo della macchina.  
Dopo aver fatto corrispondere i collegamenti e aver commutato i cavi di alimentazione, collegare l'apparecchio all'alimentazione della macchina. Se si hanno domande o se sorgono problemi che non sono stati trattati nel manuale nel collegare l'apparecchio, contattare l'autocessionario.

#### Voedingsaansluitschema

De hulpvoedingsaansluiting kan verschillen afhankelijk van de auto. Controleer het hulpvoedingsaansluitschema dat bij dit apparaat wordt geleverd om te zien of de aansluitingen kloppen. Er zijn drie basistypen (zie afbeelding hieronder). Het is mogelijk dat u de posities van de rode en gele kabels in de voedingskabel van het car audiosysteem moet omwisselen.  
Als de aansluitingen en geschakelde voedingskabels kloppen, sluit u het apparaat aan op de voeding van de auto. Indien u nog vragen of problemen hebt in verband met het aansluiten van het apparaat die niet in deze handleiding vermeld staan, raadpleeg dan de autobedrijver.

