

Sports Pack

Operating Instructions
Mode d'emploi
Manual de instructions
Gebruiksaanwijzing

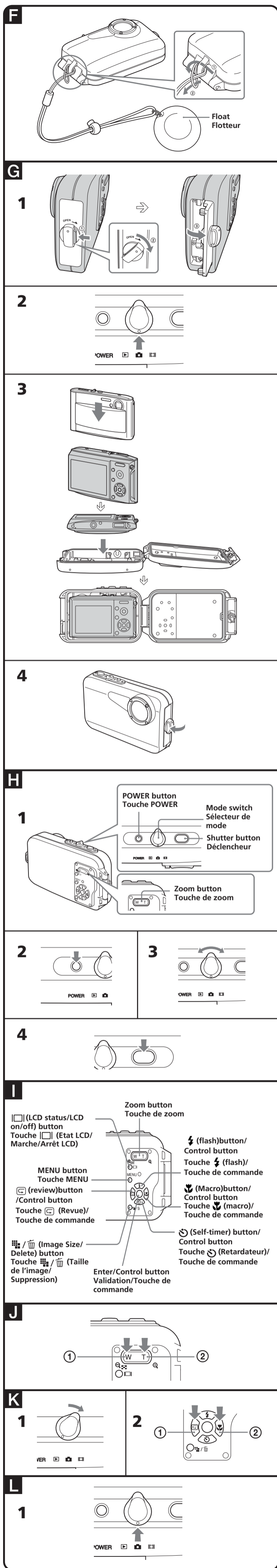
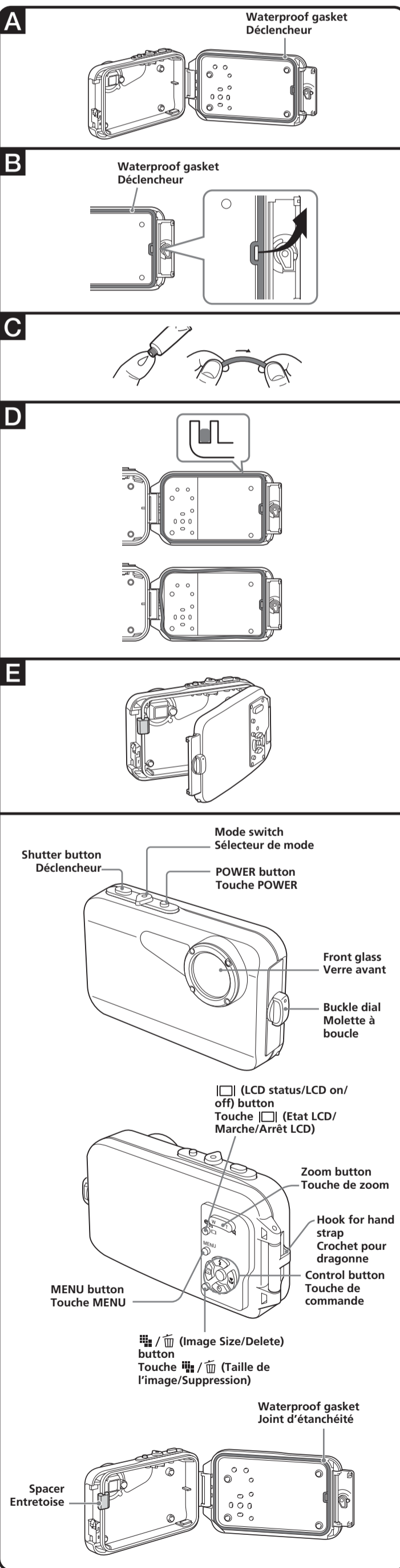
SPK-THB

© 2005 Sony Corporation Printed in Japan

Owner's Record

The model and serial numbers are located inside of the unit. Record the serial number in the space provided below. Refer to them whenever you call upon your Sony dealer regarding this product.

Model No. SPK-THB Serial No.



Main Feature

Usable at a depth of up to 3 m (10 feet) underwater.

- This sports pack SPK-THB is exclusively for use with the Sony Digital Still Camera DSC-T5.
- This sports pack is water-resistant, enabling the digital still camera to be used in the rain, snow or at the beach.

A loose or nipped waterproof gasket, sand or dirt on the waterproof gasket may cause water leaks under water. Be sure to check the waterproof gasket before use.

Notice

- For using your digital still camera with this pack, refer to the operating instructions of the digital still camera.
- In the unlikely event that a malfunction of the sports pack causes damage due to water leakage, Sony does not guarantee against damages to the equipment contained in it (digital still camera, battery pack, etc.) and the recorded contents, nor expenses entailed in the photography.

Precautions

- Do not subject the front glass to strong shock, as it may crack.
- Avoid opening the sports pack at the beach or on the water. Preparation such as installing the digital still camera and changing the "Memory Stick Duo" should be done in a place with low humidity and no salty air.
- Do not throw the sports pack into the water.
- Avoid using the sports pack in places with strong waves.
- Avoid using the sports pack under the following situations:
 - in a very hot or humid place
 - in water hotter than 40 °C (104 °F)
 - at temperatures lower than 0 °C (32 °F).

In these situations moisture condensation or water leakage may occur and damage the equipment.

- Use the sports pack for no longer than 30 minutes at a time in temperatures above 35 °C (95 °F).
- Be careful not to let the digital still camera fall when removing it from or putting it in the sports pack.
- Do not leave the sports pack under direct sunlight in a very hot and humid place for a long period of time. If you cannot avoid leaving the sports pack under direct sunlight, be sure to cover the pack with a towel or other protection.
- The digital still camera heats up if it is used inside the sports pack for a long time. Before removing the digital still camera from the sports pack, leave the sports pack in the shade or other cool place for a while to cool down.

If sun oil on the sports pack, be sure to wash it off thoroughly using lukewarm water. If the sports pack is left with sun oil on its body, the surface of the sports pack may become discolored or damaged (such as cracks on the surface).

Water leakage

If water happens to leak in, stop exposing the sports pack to water immediately. If the digital still camera gets wet, take it to the nearest Sony dealer immediately. Repair costs must be borne by the customer.

Handling the waterproof gasket

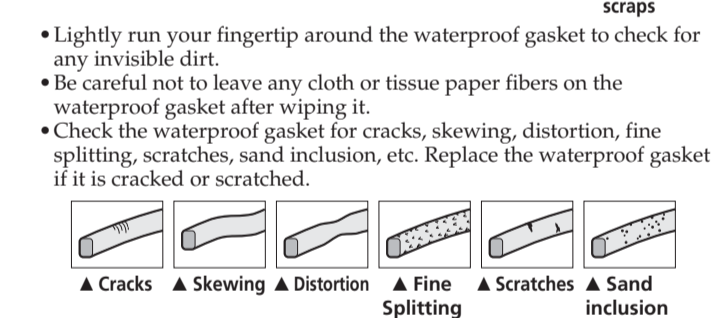
The waterproof gasket ensures the waterproof qualities of the sports pack or other equipment. (See illustration **F**.)

Waterproof gasket maintenance is very important. Failure to carry out waterproof gasket maintenance according to the instructions may lead to water leakage and cause the sports pack to sink.

Handling the waterproof gasket

Fit the waterproof gasket
Avoid fitting the waterproof gasket in dusty or sandy locations.

- Remove the waterproof gasket. (See illustration **B**.)
 - You can easily remove the waterproof gasket by lifting it in the direction of the arrow as illustrated.
 - Be careful not to scratch the waterproof gasket with your fingernail.
 - Do not use a pointed or metal object to remove the waterproof gasket.
 - This kind of object may scratch or damage the sports pack groove or waterproof gasket.
- Inspect the waterproof gasket.
 - Check carefully for the following. If found, wipe off with a soft cloth or tissue paper.
 - Is there any dirt, sand, hair, dust, salt, thread scraps, etc. on the waterproof gasket?
 - Is there any old grease on the waterproof gasket?



- Inspect the waterproof gasket groove.
 - Grains of sand or hardened salt sometimes get into the groove. Carefully remove them by blowing with an air spray or by wiping them with a cotton wool bud. Be careful not to leave any fibers from the cotton wool bud inside.
- Inspect the contact surface on the other side of the waterproof gasket in the same way.
- Apply a coating of grease to the waterproof gasket.
 - Use your fingertips to thinly coat the entire surface of the waterproof gasket with a small drop of grease. (See illustration **G**.)
 - Do not use paper or cloth as fibers may stick to the waterproof gasket.
 - Make sure there is always a thin coating of grease on the surface of the waterproof gasket. Grease protects the waterproof gasket and prevents wear.
 - Fit the waterproof gasket immediately after coating it with grease. Do not leave the greased waterproof gasket on a table or other surface.
- Fit the waterproof gasket into the groove paying attention to the following points:
 - Check for dirt on the waterproof gasket.
 - Check the waterproof gasket is not twisted. (See illustration **H**.)

How to check for water leakage
After replacing the waterproof gasket, close the sports pack without inserting the equipment you are going to use. Immerse the sports pack in water to a depth of about 15 cm for about three minutes and check that no water leaks in.

Maintenance

If the sports pack is allowed to dry with sea water still in the waterproof gasket groove, salt crystals form which may impair the waterproof gasket's functions.

Waterproof gasket serviceable life
The serviceable life of the waterproof gasket varies with frequency of use of the sports pack and conditions. Generally, it is about one year. Even if the waterproof gasket is not cracked or scratched, deformation or wear reduces its waterproof qualities. Replace the waterproof gasket with a new one if you find cracks, skewing, distortion, fine splitting, scratches, sand inclusion, etc. After replacing, check that no water leaks in.

Grease

Use the grease supplied. Using other manufacturer's grease will damage the waterproof gasket, and cause water leaks.

Anti-fogging lens solution

Coat the surface of the glass with the supplied anti-fogging lens solution. This is effective in preventing from fogging.

How to use the anti-fogging lens solution
Apply 2 or 3 drops of the liquid to the front glass and wipe evenly to spread the liquid out by using the swabs, a soft cloth or tissue paper.

Waterproof gasket, grease and anti-fogging lens solution
You can obtain the waterproof gasket and grease at the nearest Sony dealer. Waterproof gasket (model No. 2-591-534-01) Grease (model No. 2-582-620-01) Anti-fogging lens solution (model No. 3-072-039-01)

Maintenance

- After recording in a location with a sea breeze, wash the sports pack thoroughly in fresh water with the buckles fastened to remove salt and sand, then wipe with a soft dry cloth. It is recommended that you submerge the sports pack in fresh water for about 30 minutes. If it is left with salt on it, metal portions may be damaged or rust may form and cause water leakage.
- If sun oil is on the sports pack, be sure to wash it off thoroughly using lukewarm water.
- Clean the inside of the sports pack with a soft dry cloth. Do not wash the inside of the sports pack.
- Be sure to perform the above maintenance each time you use the sports pack. Do not use any type of solvent such as alcohol, benzene or thinner for cleaning, as this might damage the surface finish of the sports pack.

When storing the sports pack
Attach the spacer supplied with your sports pack to prevent wear of the waterproof gasket. (See illustration **I**.)
Close the pack without fastening the buckles to prevent wear of the waterproof gasket.
Prevent dust from collecting on the waterproof gasket.
Avoid storing the sports pack in a cold, very hot or humid place, or together with naphthalene or camphor, as these conditions might damage the unit.

Preparation

Preparing the digital still camera

Install the digital still camera in a low-humidity room or a similar environment. Opening or closing the sports pack in hot or humid locations may result in fogging of the front glass.

For details, refer to the operating instructions supplied with the digital still camera.

- Remove the strap from the digital still camera.
- Insert the battery pack.
 - Be sure to use a fully charged battery pack.
- Insert the "Memory Stick Duo".
- Open the lens cover and turn on the power of the digital still camera.
 - When opening the lens cover, be careful not to touch the lens.
- Set the LCD screen of the digital still camera to "ON".
 - Set the mode switch of the digital still camera to **[M]** and then open the lens cover to turn on the digital still camera. The LCD screen comes "ON".
- Set each of the settings on the digital still camera to "AUTO" mode.
- Set the AF illuminator on the digital still camera to "OFF".
 - This disables use of the AF illuminator.

Attach the digital still camera's lens and LCD screen for any dirt. **F** Check the digital still camera

We recommend attaching the hand strap (supplied) before using the sports pack. (See illustration **I**.)
Notes
Be careful not to pinch the hand strap when you open and close the sports pack body. If the hand strap is caught it causes water to leak into the sports pack.
The float attached to the hand strap is for preventing loss of the sport pack underwater. Use the hand strap with the float attached.

Installing the digital still camera inside the sports pack

- Set the POWER button of the digital still camera to "OFF."
 - Set the mode button of the digital still camera to **[M]**.
- Open the sports pack. (**G**-1)
 - Keep the lock release button **[L]** pressed down, turn the buckle dial **[B]** and open the buckle in the direction of the arrow **[A]**.
- Prepare the sports pack.
 - Be sure to read the separate "Handling the waterproof gasket". Important details regarding maintenance and handling of the waterproof gasket are described in this manual.

- Remove the waterproof gasket.
 - Remove the waterproof gasket.
 - Coat the waterproof gasket with grease.
 - Clean off any sand or dirt on the waterproof gasket, in the seating groove, or on the sports pack's body where it touches the waterproof gasket. Coat the waterproof gasket with a light, even layer of grease.
- Inspect the waterproof gasket.
 - Note: The sports pack's body may be scratched or water may leak if the cover is closed with sand or dirt on the waterproof gasket.
- Set the Mode switch of the sports pack as illustrated. (**H**-2)
 - Install the digital still camera inside the sports pack. (**H**-3)
- Leave the lens cover of the digital still camera open. Forcing the sports pack closed while the lens cover is closed can lead to a malfunction.
 - Check that the digital still camera is placed correctly.
- Close the sports pack's body and fasten the buckle. (**H**-4)
 - Secure the sports pack's body, and fasten the buckle until it clicks.

Using the Sports Pack

- Recording (See illustration **I**-1)
 - Turn on the power. (**I**-2)
 - Check that the Mode switch operates normally. (**I**-3)
 - The mode is switched in the following order by sliding the Mode switch:
 - [M] → [S] → [M]
 - For details of each mode, check in the LCD screen.
 - Set the Mode switch to the desired mode.
 - You can record pictures while looking at the LCD screen.
 - To record still images, set the Mode switch of the sports pack to **[M]**.
 - To record moving images, set the Mode switch of the sports pack to **[S]**.
 - Sound cannot be recorded while recording moving images.

For details, refer to the operating instructions supplied with the digital still camera.

- Using/Setting various functions (See illustration **I**)
You can use the various functions of the digital still camera installed in the sports pack.
 - Use the zoom
 - Slide the zoom button. (See illustration **I**.)
 - Press on the W side for wide-angle. (Subject appears farther away.)
 - Press on the T side for telephoto. (Subject appears closer.)
 - Notes
 - The shooting distance may decrease when using the flash with the sports pack attached.
 - If you do not operate the digital still camera with the power on for a certain time, the digital still camera turns off automatically to prevent the battery pack from wearing down. To use the digital still camera again, turn on the power again. For details, refer to the operating instructions supplied with the digital still camera.

Playing back with the control button
You can play back images on the LCD screen using the control button. You cannot hear the sound.

- Turn on the power.
- Set the Mode switch to **[M]**. (**K**-1)
- Select the desired image with the control button. (**K**-2)
 - [P]** → To previous image
 - [N]** → To next image

Removing the digital still camera

- Turn off the power.
- Set the Mode switch of the sports pack as illustrated. (**L**-1)
- Remove the digital still camera from the sports pack.
 - When the digital still camera has been used for a long time, the digital still camera heats up. Turn off the power and leave for a while to cool down before removing the digital still camera from the sports pack.

Be careful not to drop the digital still camera when removing it.

Note
Carefully wipe any water off the sports pack and your body before opening the sports pack so that no drops get onto the digital still camera.

Troubleshooting

Symptom	Cause/Corrective Actions
There are drops of water inside the sports pack.	<ul style="list-style-type: none"> There are scratches or cracks on the waterproof gasket. Replace the waterproof gasket with a new one. The waterproof gasket is not set correctly. Place the waterproof gasket evenly in the groove. The buckle is not fastened. Fasten the buckle until it clicks.
The recording function does not work.	<ul style="list-style-type: none"> The battery pack has run out. Charge the battery pack fully. The "Memory Stick Duo" is full. Insert another "Memory Stick Duo" or erase unneeded data from the "Memory Stick Duo." The write-protect tab on the "Memory Stick Duo" is set to LOCK. Set the tab to the recording position or insert a new "Memory Stick Duo."

Specifications

Material	Plastic (PC, ABS), stainless steel, glass
Water-resistance	Waterproof gasket, buckle
Pressure-resistance	To a depth of up to 3 m (10 feet) underwater
Switches that can be externally operated	Power, Mode, Shutter, Zoom, Flash, Macro, Control, Self-timer, Review, Menu, Image Size/Delete, LCD status/LCD on/off
Dimension	Approx. 123 × 77 × 36 mm (4 7/8 × 3 1/8 × 1 7/16 inches) (w./h./d. (excluding projecting parts))
Mass	Approx. 130 g (4.6 oz.) (sports pack only)
Included items	Sports pack (1) Float (1) Greas (1) Anti-fogging lens solution (1) Spacer (1) Set of printed documentation (1)

Design and specifications subject to change without notice.

Caractéristique principale

Utilisable jusqu'à une profondeur de 3 mètres (10 pieds) sous l'eau.

- Le caisson étanche SPK-THB est conçu spécialement pour l'appareil photo numérique Sony DSC-T5.
- Le caisson est étanche à l'eau, ce qui permet d'utiliser l'appareil photo numérique sous la pluie, la neige ou au bord de la plage.

Un joint d'étanchéité relié ou pincé ou la présence de sable ou de graviers sur le joint peut entraîner des infiltrations d'eau. Vérifiez le joint d'étanchéité avant d'utiliser l'équipement.

Avertissement

- Pour utiliser votre appareil photo numérique avec ce caisson, reportez-vous au mode d'emploi de l'appareil photo.
- Dans le cas très improbable où une anomalie du caisson causerait des dommages dus à une infiltration d'eau, notez que la garantie Sony ne couvre pas les dommages subis par le matériel (appareil photo numérique, batterie, etc.) à l'intérieur du caisson, le contenu enregistré ou les frais encourus pour la prise de vues.

Précautions

- Ne soumettez pas le verre avant à des chocs importants, car il pourrait se craqueler.
- N'ouvrez pas le caisson sur la plage ou dans l'eau. Les opérations préparatoires, telles que le mise en place de l'appareil photo numérique et le changement de la "Memory Stick Duo", doivent être effectuées à l'abri de l'humidité et de l'air salin.
- Ne jetez pas le caisson dans l'eau.
- N'utilisez pas le caisson par fortes vagues.
- N'utilisez pas le caisson dans les conditions suivantes:
 - dans un endroit très chaud ou humide
 - dans de l'eau chaude à plus de 40 °C (104 °F)
 - à des températures inférieures à 0 °C (32 °F).
- Dans de telles conditions, le matériel pourrait être endommagé par une condensation ou une infiltration d'eau.
- N'utilisez pas le caisson plus de 30 minutes d'affilée par une température supérieure à 35 °C (95 °F).
- Prenez garde à ne pas faire tomber l'appareil photo numérique lorsque vous le retirez et que vous le remettez dans le caisson.
- N' laissez pas le caisson en plein soleil ou dans un endroit très chaud et humide pendant une longue période. Si vous n'avez pas d'autres choix, que de le laisser en plein soleil, recouvrez-le d'une serviette ou d'une autre protection.
- L'appareil photo numérique s'échauffe s'il est utilisé pendant longtemps à l'intérieur du caisson. Avant de retirer l'appareil photo numérique du caisson, laissez temporairement le caisson à l'ombre ou dans un endroit frais pour qu'il se refroidisse.

S'il y a de la crème solaire sur le caisson, prenez soin de l'éliminer convenablement avec de l'eau tiède. Si la surface du boîtier du caisson est souillée avec de la crème solaire, retirez-la immédiatement avec de l'eau tiède. Si la surface du boîtier du caisson est souillée avec de la crème solaire, retirez-la immédiatement avec de l'eau tiède. Si la surface du boîtier du caisson est souillée avec de la crème solaire, retirez-la immédiatement avec de l'eau tiède. Si la surface du boîtier du caisson est souillée avec de la crème solaire, retirez-la immédiatement avec de l'eau tiède.

Infiltration d'eau
Si de l'eau s'infiltre dans le caisson, arrêtez immédiatement de l'exposer à l'eau. Si l'appareil photo numérique est mouillé, portez-le immédiatement chez le revendeur Sony le plus proche. Les frais de réparation seront à la charge de l'utilisateur.

Manipulation du joint d'étanchéité

Qu'est-ce qu'un joint d'étanchéité ?
Le joint d'étanchéité garantit l'étanchéité du caisson ou de tout autre équipement. (Voir illustration **A**.)

L'entretien du joint d'étanchéité est très important. Le non-respect des instructions d'entretien du joint d'étanchéité peut entraîner des infiltrations d'eau et faire couler le caisson.

Manipulation du joint d'étanchéité
Fixation du joint d'étanchéité
N'installez pas le joint d'étanchéité dans des endroits sablonneux ou poussiéreux.

- Retirez le joint d'étanchéité. (Voir illustration **A**.)
 - Vous pouvez facilement retirer le joint d'étanchéité en le soulevant dans le sens de la flèche indiquée sur l'illustration.
 - Prenez garde à ne pas gratter le joint d'étanchéité avec vos ongles.
 - N'utilisez pas d'objets pointus ou métalliques pour retirer le joint d'étanchéité.
 - Ce type d'objet risque d'érafler ou d'endommager la rainure du caisson ou le joint d'étanchéité.
- Inspectez le joint d'étanchéité.
 - Vérifiez les points suivants. En cas d'anomalie, nettoyez le joint à l'aide d'un chiffon doux ou d'un mouchoir en papier.
 - Présence de saletés, de sable, de cheveux, de poussière, de sel, de particules, etc.
 - Présence de graisse.

- Inspectez la rainure du joint d'étanchéité.
 - Des grains de sable ou de sel s'incrustent parfois dans la rainure. Retirez-les soigneusement à l'aide d'un pulvérisateur à air ou d'un disque de coton. Prenez garde à ne pas laisser de fibres de coton à l'intérieur.
- Inspectez de la même manière la surface de contact de l'autre côté du joint d'étanchéité.
- Appliquez une couche de graisse sur le joint d'étanchéité.
 - Àvec les doigts, enduisez légèrement toute la surface du joint d'étanchéité d'une petite goutte de graisse. (Voir illustration **B**.)
 - N'utilisez pas de mouchoir en papier ni de tissu, car les fibres risquent de coller au joint d'étanchéité.
 - Veillez à ce qu'il y ait toujours une fine couche de graisse sur la surface du joint d'étanchéité. La graisse protège le joint et prévient l'usure.
 - Fixez le joint d'étanchéité immédiatement après l'avoir enduit de graisse. Ne posez pas le joint enduit de graisse sur une table ou une autre surface.
- Fixez le joint d'étanchéité dans la rainure du caisson.
 - Fixez le joint uniformément dans la rainure, en respectant les points suivants:
 - Vérifiez qu'il n'y a pas de saletés sur le joint d'étanchéité.
 - Vérifiez que le joint d'étanchéité n'est pas tordu. (Voir illustration **D**.)

Vérification de l'absence de défauts d'étanchéité
Après avoir replacé le joint d'étanchéité, fermez le caisson sans insérer l'équipement que vous allez utiliser. Plongez le caisson dans l'eau à une profondeur d'environ 15 cm pendant trois minutes environ et assurez-vous que l'eau ne pénètre pas.

Entretien
Si vous faites sécher le caisson alors que la rainure du joint d'étanchéité contient encore de l'eau de mer, des cristaux de sel vont se former et peuvent diminuer l'étanchéité.

Durée de service du joint d'étanchéité
La durée de service du joint d'étanchéité varie selon la fréquence d'utilisation du caisson et les conditions d'emballage. Elle est généralement d'une année environ.

Même si le joint d'étanchéité n'est pas craquelé ni éraflé, la déformation ou l'usure réduit ses qualités d'étanchéité. Remplacez le joint d'étanchéité par un neuf s'il est craquelé, déformé, tordu, coupé, éraflé, incrusté de sable. Une fois le remplacement effectué, vérifiez qu'il n'y a aucune infiltration d'eau.

Graisse
Utilisez la graisse fournie. L'emploi de la graisse d'un autre fabricant endommagerait le joint d'étanchéité et entraînerait des infiltrations d'eau.

Solution anti-buée
Enduisez la surface du verre avec la solution anti-buée fournie. Elle est conçue pour empêcher la buée de se former.

Utilisation de la solution anti-buée
Appliquez 2 ou 3 gouttes du liquide sur le verre avant et étalez uniformément pour répandre le liquide à l'aide de disques de coton, d'un chiffon doux ou d'un mouchoir en papier.

Joint d'étanchéité, graisse et solution anti-buée
Vous pouvez vous procurer des joints d'étanchéités et de la graisse chez votre revendeur Sony le plus proche.

Joint d'étanchéité (N° de modèle: 2-591-534-01)
Graisse (N° de modèle: 2-582-620-01)
Solution anti-buée (N° de modèle: 3-072-039-01)

Entretien

- Après une prise de vues dans un endroit exposé à la brise marine, lavez soigneusement le caisson à l'eau douce avec les fermetoirs correctement verrouillés pour en retirer le sel et le sable, puis essayez-le avec un chiffon doux et sec. Il est recommandé de plonger le caisson dans l'eau douce pendant 30 minutes environ. Ne laissez pas de sel desséché, car il pourrait attaquer les parties métalliques et de la rouille risquerait de se former et de causer une infiltration d'eau.
- S'il y a de la crème solaire sur le caisson, prenez soin de l'éliminer convenablement avec de l'eau tiède.
- Nettoyez l'intérieur du caisson avec un chiffon doux et sec. Ne lavez pas l'intérieur du caisson.
- Effectuez les opérations d'entretien ci-dessus après chaque utilisation du caisson. N'utilisez aucune sorte de solvant, comme de l'alcool, de la benzine ou du diluant pour le nettoyage, car ces substances peuvent attaquer la finition du caisson.

Stockage du caisson
Fixez l'entretoise fournie avec votre caisson pour protéger le joint d'étanchéité contre l'usure. (Voir illustration **E**.)
Fermez le caisson sans verrouiller les fermetoirs pour protéger le joint d'étanchéité contre l'usure.

- Empêchez l'accumulation de poussière sur le joint d'étanchéité.
- Ne rangez pas le caisson dans un endroit froid, très chaud ou humide ou avec de la naphthaline ou du camphre. Ceci pourrait l'endommager.

Préparation
Préparation de l'appareil photo numérique
Installez l'appareil photo numérique autant que possible dans un endroit peu humide. En effet, l'ouverture ou la fermeture du caisson peut provoquer la formation de buée sur le verre avant.

Pour plus d'informations, reportez-vous au mode d'emploi fourni avec l'appareil photo numérique.

- Retirez la dragonne de l'appareil photo numérique.
- Insérez la batterie.
- Insérez le "Memory Stick Duo".
- Ouvrez le couvercle d'objectif et mettez l'appareil photo sous tension.
 - Lorsque vous ouvrez le couvercle d'objectif, attention de ne pas toucher l'objectif.
- Régalez l'écran LCD de l'appareil photo sur « ON ».
 - Régalez le sélecteur de mode de l'appareil photo sur **[M]** et ouvrez le couvercle d'objectif pour mettre l'appareil photo sous tension. L'écran LCD s'allume.
- Régalez toutes les fonctions de l'appareil photo numérique en mode « AUTO ».
- Régalez l'éclairage AF de l'appareil photo numérique sur « OFF ». Ceci désactive l'éclairage AF.
- Assurez-vous que l'objectif et l'écran de l'appareil photo numérique ne sont pas souillés.

Attachez la dragonne
Il est recommandé d'attacher la dragonne (fournie) avant d'utiliser le caisson. (Voir illustration **F**.)

Remarques
Prenez garde à ne pas coincer la dragonne lorsque vous ouvrez ou fermez le boîtier du caisson. Si la dragonne est coincée, de l'eau risque de pénétrer dans le caisson.
Le flotter fixé à la dragonne évite de perdre le caisson étanche lors de la plongée. Utilisez toujours la dragonne avec son flotter.

Mise en place de l'appareil photo numérique dans le caisson

- Régalez la touche POWER de l'appareil photo sur « OFF ».
- Ouvrez la touche **[M]**.
- Préparez le caisson.
 - Retirez le joint d'étanchéité.
 - Enduisez le joint d'étanchéité de graisse.
 - Enlevez le sable et autres saletés présents sur le joint d'étanchéité, sur la rainure du joint ou sur la surface du boîtier entrant en contact avec le joint d'étanchéité. Enduisez le joint d'étanchéité d'une légère couche uniforme de graisse.
 - Fixation du joint d'étanchéité.

Veillez à lire la section « Manipulation du joint d'étanchéité », car elle contient des informations importantes sur l'entretien et la manipulation du joint d'étanchéité.

- Régalez le sélecteur de mode du caisson comme indiqué sur l'illustration. (**G**-2)
- Installez l'appareil photo numérique dans le caisson. (**G**-3)
- Laissez le couvercle d'objectif de l'appareil photo numérique ouvert. Ne pas essayer de maintenir fermé le couvercle d'objectif quand il s'ouvre car il pourrait être endommagé.
- Assurez-vous que l'appareil photo numérique est correctement installé.
- Fermez le boîtier du caisson et bouclez le fermoir. (**G**-4)
Entrez les données de l'entretoise (1) Jeu de documents imprimés

